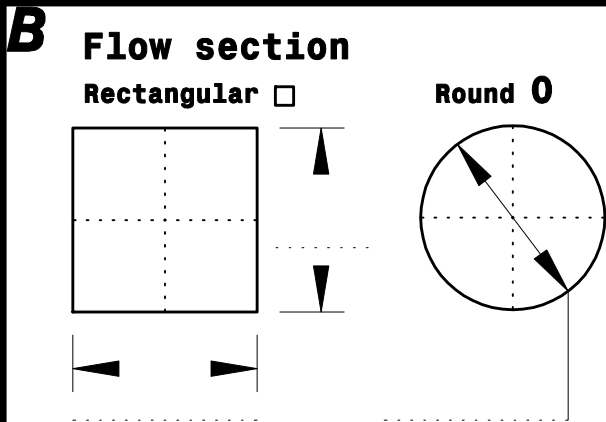


# Slide Gate Design Sheet

**A** Project : .....  
 Item : .....  
 Qty : .....

Material HDPE/SS304L   
 HDPE/SS316L   
 SS304L   
 SS316L

**C**  Rising stem  Non rising stem  
 Max on seating head (a) :  
 Max off seating head (b) :  
 operation head on seating:  
 operation head off seating:  
 Invert to Floor (c) :



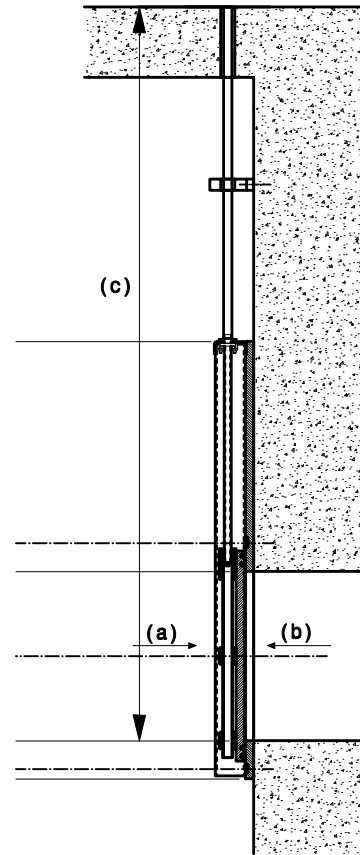
**D** Operating

Manual

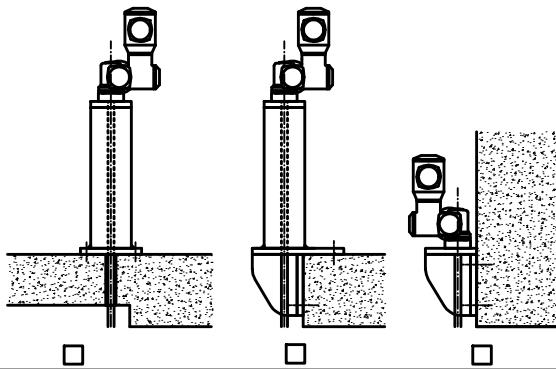
Electric nr. Cycles .....

Cylinder  Oil  Air

**E** Leakage:  
 ANSI/AWWA Section C-513 Standard



**F** Accessories



- Conical tip
- Handwheel
- 1/2 moon tip (standard)
- square tip .....
- T-wrench
- Mounting set