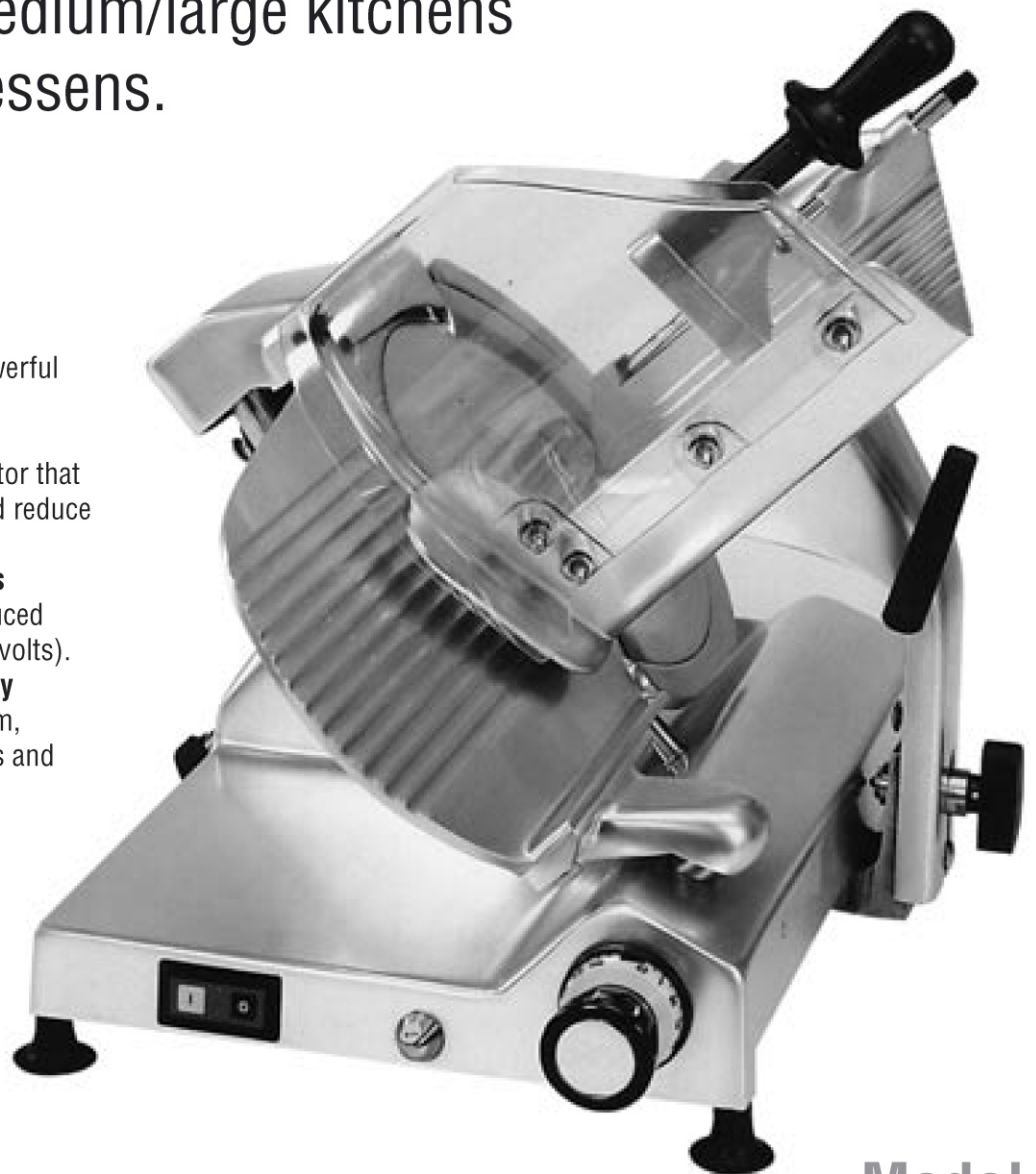




The C30E & C35E manual slicers are gear-driven, heavy duty powerhouses that takes the hard work out of slicing. An ideal slicer for restaurants, caterers, medium/large kitchens and delicatessens.

- **Gear Drive**
Direct drive - very powerful heavy duty slicer.
- **Fan-Cooled Motor**
High performance motor that increase efficiency and reduce wear and tear.
- **Low Voltage Switches**
Safe for operator, reduced voltage switching (24 volts).
- **Large Cutting Capacity**
Slices Champagne ham, soccerball ham, roasts and silverside.



Model
C30E/C35E
Gear Driven Slicers

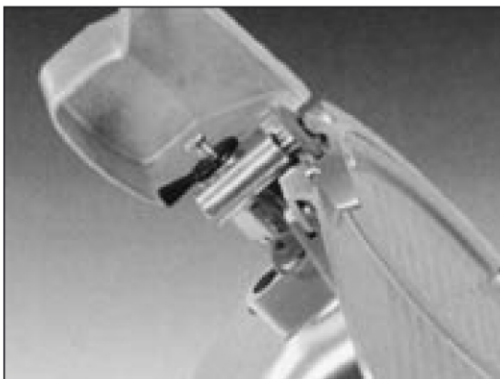
Model C30E/ C35E Gear Driven Slicers

CE Approved

The Model C30E and C35E Gear-driven food slicers have been designed for those who require precision slicing.

The large dimensions of the receiving plate permit complete freedom in slice accumulation. Along with the model range's other features, this makes these machines some of the most functional on the market.

- Manufactured in anodised aluminium to resist the corrosive effects of salts and acids;
- Constructed for easy and friendly cleaning;
- Micrometric adjusting knob allows for cutting of slices up to 14mm;
- Self contained inbuilt and shielded sharpening device;
- Forced ventilation to motor;
- Gear driven blade;
- Safety cutout switches for blade operation and blade cover.



The built-in sharpener is simple and safe to operate.



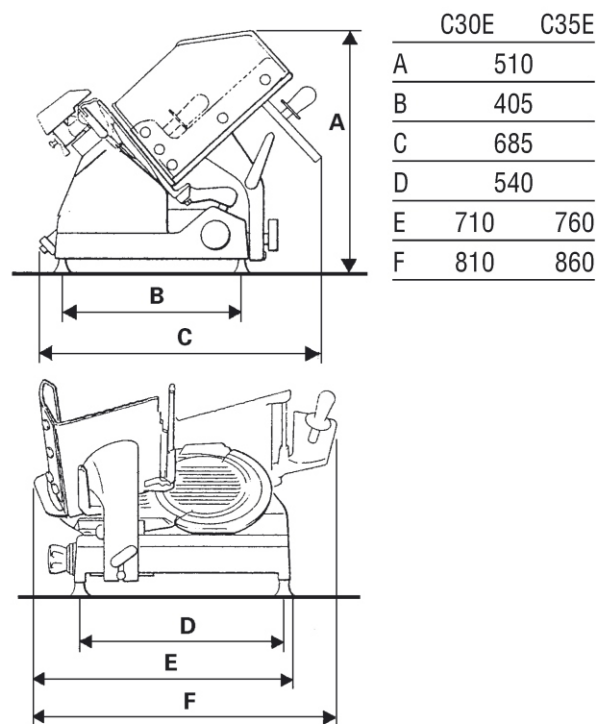
The unit is easily disassembled for cleaning and maintenance.

SPECIFICATIONS

| | C30E | C35E |
|-------------------------|--------------|------|
| Blade (mm) | 300 | 350 |
| Blade RPM | 200 | |
| 230V single phase motor | 330W, 50Hz | |
| 400V three phase motor | 410W, 50Hz | |
| Operating Temp Range | +5°C - +40°C | |
| Net weight (kg) | 38 | 39 |

Slice Capacity

| | | |
|---------------------------|-----|-----|
| Height (mm) | 230 | 260 |
| Width (mm) | 210 | 250 |
| Length (mm) | 240 | 250 |
| Max. Slice thickness (mm) | 14 | |



Düssen
Pty Ltd

DELIVERING QUALITY AT THE RIGHT PRICE

DUSSEN Pty Ltd
Unit3/70 Andrew Street
Wynnum Brisbane QLD 4178

PH: 07 3393 6552
FAX: 07 3393 6352

EMAIL: sales@dussen.com.au
WEB: www.dussen.com.au