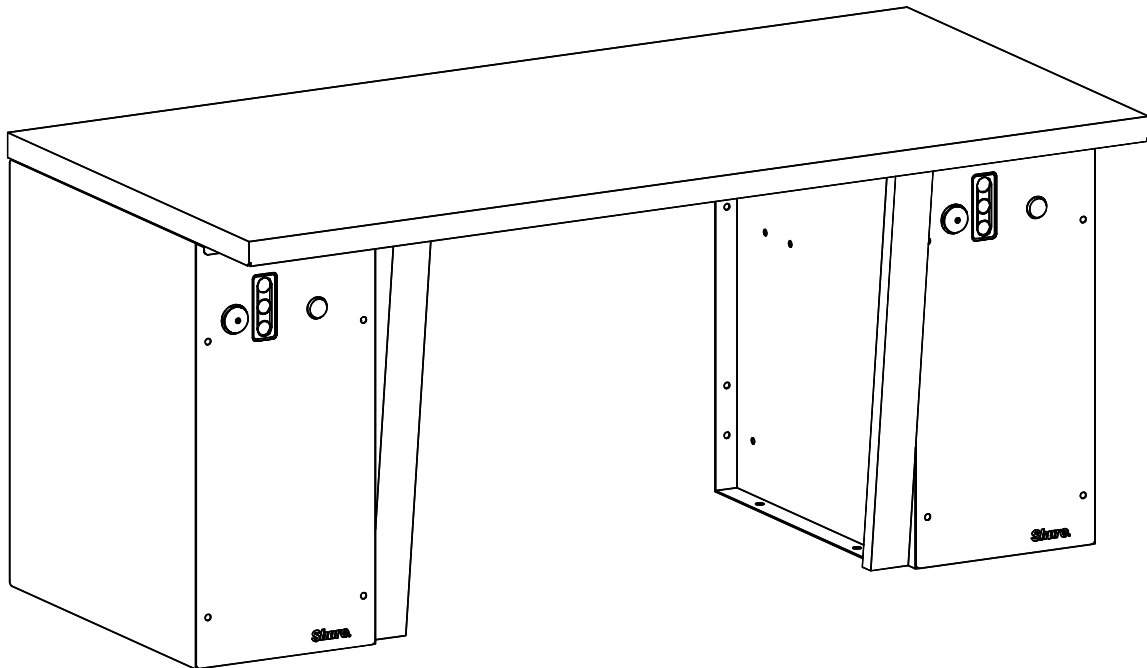


INSTALLATION & OPERATION MANUAL SUPPLEMENT

UAG/Shure, End Mount Kit p/n 16920



200 Cabel Street, P.O. Box 3944 Louisville, Kentucky 40201-3944

Email: sales@challengerlifts.com Web site: www.challengerlifts.com

Office 800-648-5438 / 502-625-0700 Fax 502-587-1933

**IMPORTANT: READ THIS MANUAL COMPLETELY
BEFORE INSTALLING or OPERATING LIFT**

Refer to Exploded View on Next Page for all Steps

Step 1 Power Unit Bracket

Remove Item D (Front Panel).

Remove Item A (Side Panel).

Inspect Item B, Leg. *This Bench Leg may not be drilled for the power unit bracket on older units.* Using Item 4 (Power Unit Bracket) as a template, centered between Item C (Side Panel w/studs) and the wall and up against the under side of the bench top, drill four 1 1/32" holes for mounting. Attach Item 4 (Power Unit Bracket) to Item B (Leg) using four each Items 2 and 3 (5/16-18 x 1/2 HHF Bolt and 5/16-18 HF Nut).

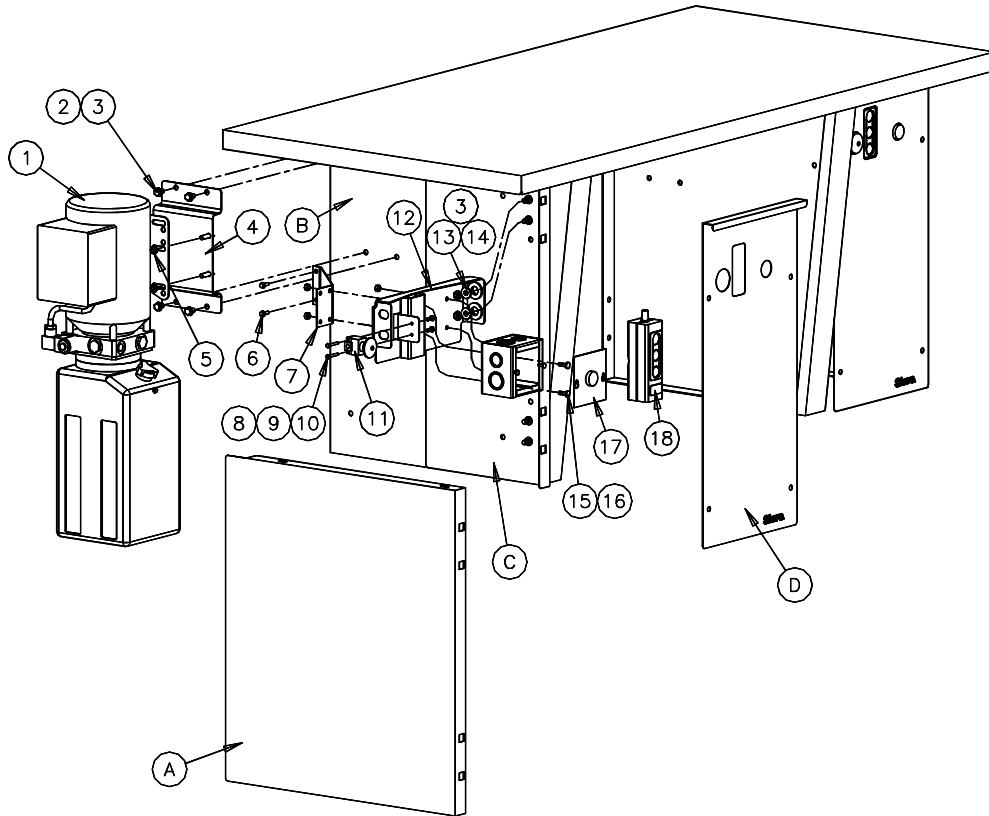
Step 2 Control Bracket

Position Item 12 (Control Bracket Weld) on upper studs of Item C (Side Panel). Assemble Item 13 (5/8" SAE Flat Washer) taking care to align with the Stud Shoulder. Follow with Items 14 and 3 (5/16" USS Flat Washer and 5/16-18 HF Nut). Assemble Items 7 and 17 (Control Bracket Gusset and DeTEK Panel Assembly) using Items 15 and 16 (1/4-20 x 3/4 PH Screw and 1/4-20 Keps Nuts) supplied with DeTEK. Item 7 (Control Bracket Gusset) is supplied with two sets of mounting holes. Use innermost holes for left end of bench and outer most holes for right end of bench. Square Item 12 (Control Bracket) to Item B (Leg) and attach Item 7 (Control Bracket Gusset) to Item B (Leg) using Item 6 (#12-14 x 3/4 Self Drilling Screw). Assemble Item 11 (Lock Release Valve) to Item 12 (Control Bracket) using Items 8, 9 and 10 (#8-32 x 1 1/4 PH Screw, #8-32 Nut, and #8 Split Lock Washer) supplied with lift.

Step 3 Power Unit

Assemble Item 1 (Power unit) to Item 4 (Power Unit Bracket) using Item 5 (5/16-18 HF Nut). Wire Motor and Pendant per the wiring diagram on the last page. Item 18 (Pendant) is magnetic and should be placed on the rectangular tubing portion of Item 12 (Control Bracket) with the cord up.

Refer to appropriate manuals for installation of DeTEK, CS0920, or CS9200 to complete installation of components. Replace Items A and D (End Panel and Front Panel).



Item #	Part #	Qty	Description
1	A1201SPC-15	1	2.5 Gal Power Unit, 230V Single Phase, Pendant Control
2	4100237	4	5/16-18 x 1/2 Hex Head Flange Bolt
3	4100342	4	5/16-18 Hex Flange Nut
4	16927	1	Power Unit Bracket
5	31189	4	5/16-18 Hex Nut
6	16937	2	#12-14 x 3/4 Self Drilling, Hex Washer Head Screw
7	16936	1	Control Bracket Gusset
8	37022	2	#8-32 x 1 1/4 Pan Head Screw
9	37023	2	#8 Split Lock Washer
10	37024	2	#8-32 hex Nut
11	37016	1	Lock Release Air Valve
12	16931	1	Control Bracket Weld
13	31330	2	5/16 USS Flat Washer
14	16934	2	5/8 SAE Flat Washer
15	31061	4	1/4-20 x 3/4 Pan Head Screw
16	31062	4	1/4-20 Keps Nut
17	16518	1	DeTEK Panel Assembly
18	A1205-40P	1	Pendant (60" Pigtail)
A	N/A	1	End Panel (Shure)
B	N/A	1	Leg (Shure)
C	N/A	1	Side Panel w/ Studs (Shure)
D	N/A	1	Front Panel (Shure)

Wiring Instructions

SINGLE PENDANT CONTROL WIRING

(the letters in the figure below refer to the following step)

- A. Wire Nut yellow Motor wire to relay terminal #8.
- B. Wire Nut blue Motor wire to relay terminal #4.
- C. Crimp Supply Common wire to relay terminal #1.
- D. Crimp Supply GROUND wire to Ground Screw.
- E. Crimp Supply L1 to relay terminal #2.
- F. Wire Nut the green Pendant wire to Supply L2 and to relay terminal #6 jumper.
- G. Wire Nut the black Pendant wire to the black Solenoid Lowering Valve wire.
- H. Wire Nut the white Pendant wire to relay terminal #0 wire.

