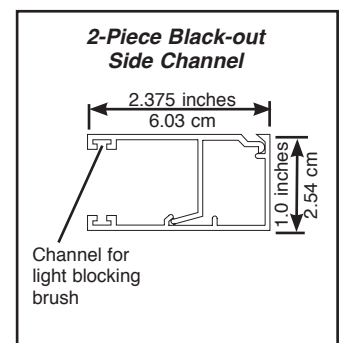
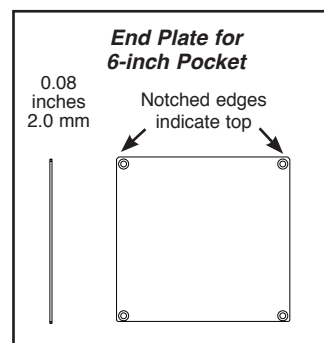
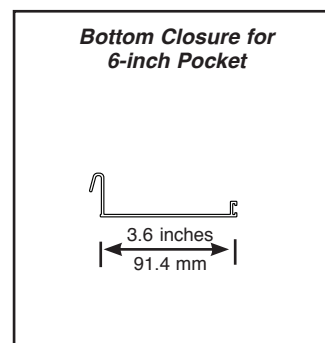
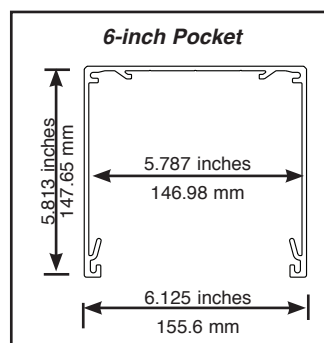
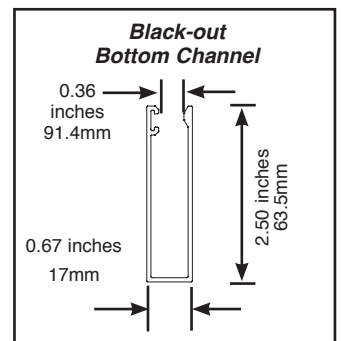
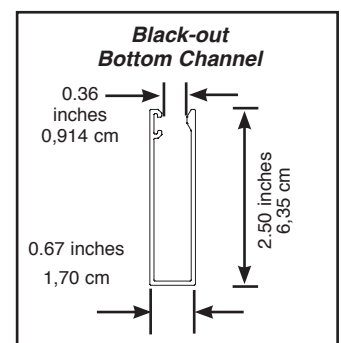


4-Inch (102mm) Pocket Component Dimensions



Dimensions shown conform to aluminum extrusion industry standards for tolerances.

6-Inch Pocket Component Dimensions



RollEase Headquarters
200 Harvard Avenue
Stamford, CT 06902-6320 USA
Office: 203.964.1573 / 800.552.5100
Fax: 203.964.0513 Order Fax: 203.358.5865

RollEase West
7310 West Roosevelt Street, Suite 26
Phoenix, AZ 85043 USA
Office: 623.936.5818
Order Fax: 623.936.5294