



INDUSTRIAL SHORT

1CB SERIES, 6kW – 30kW, SINGLE PHASE

3CB SERIES, 9kW – 30kW, THREE PHASE

4 POLE, 60Hz, 1800 RPM



- **VERY SHORT LENGTH FOR LIMITED SPACE APPLICATION**
- **CONTINUOUS DUTY RATINGS**
- **6 TO 30 kW, BRUSHLESS SYNCHRONOUS WITH EXCITER AND AVR, VOLTAGE REGULATION $\pm 1\%$**
- **OPTIONAL AUXILIARY WINDING - SHORT CIRCUIT CURRENT OF 300% OF RATING FOR 10 SECONDS**
- **ROBUST WELDED STEEL HOUSING**
- **CAST IRON BEARING COVER ON LARGER SIZES**
- **OVERSIZED BEARING PRE-LUBRICATED FOR LIFE**
- **INSULATION CLASS H, VACUUM IMPREGNATED**
- **UL 1446 - ELECTRICAL INSULATION SYSTEM**
- **DIRECT/CUSTOM COUPLING AVAILABLE**



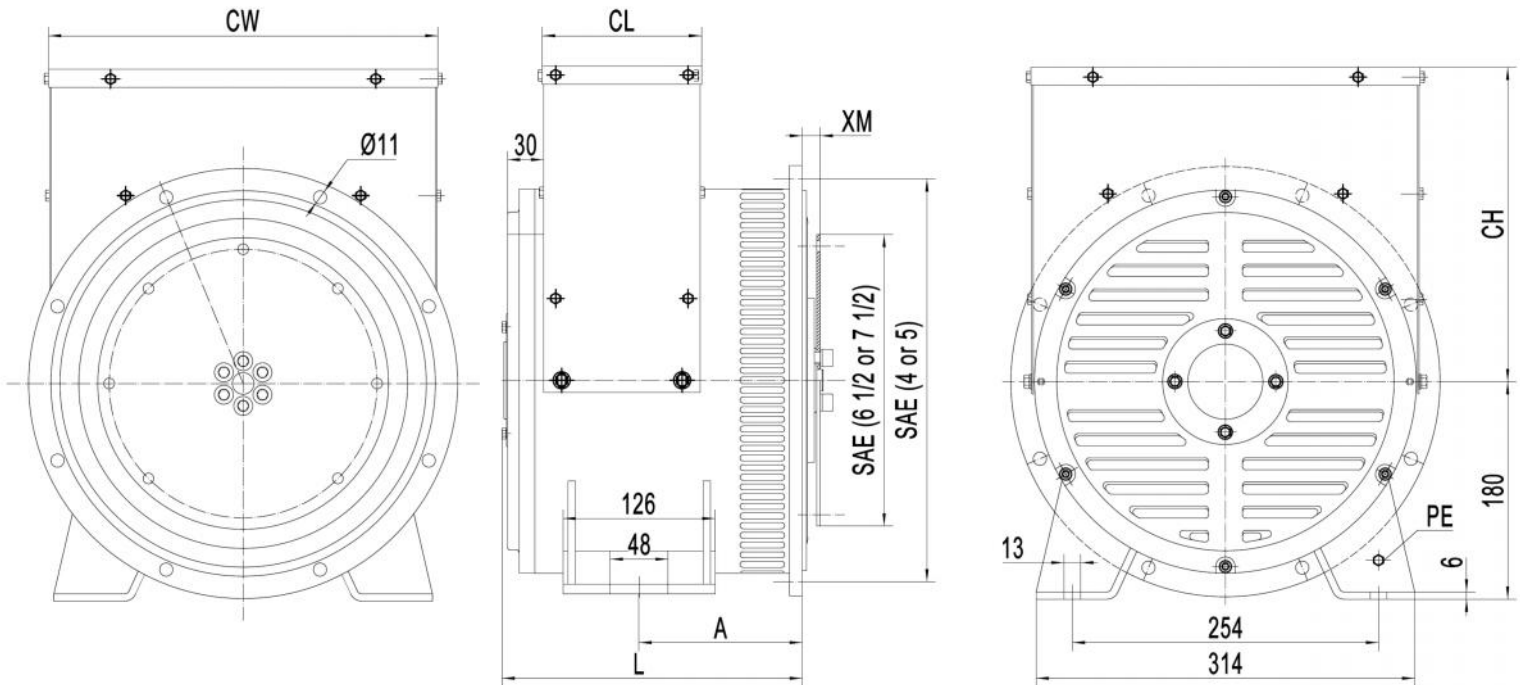
WWW.COLISEUMELECTRIC.COM



1CB SERIES

SINGLE PHASE BRUSHLESS SYNCHRONOUS INDUSTRIAL GENERATORS WITH OPTIONAL AUXILIARY WINDING
 RANGE: 6 kW – 30 kW, SINGLE PHASE
 VOLTAGE: 120/240V, 4 LEADS, DEDICATED
 TEMP. RISE: 105 °C AT 40 °C AMBIENT TEMP.
 FREQUENCY: 4-POLE, 60Hz, 1800 RPM, P.F.=1.0

MODEL	1CB06	1CB08	1CB10	1CB13	1CB16	1CB22	1CB25	1CB30
Power (kW)	6	8	10	13	16	22	25	30
Weight kg (lbs)	51 (112)	56 (124)	67 (147)	80 (176)	99 (217)	122 (268)	125 (275)	155 (340)



TYPE	FLANGE	Z-HOLES	U	L (mm/inches)	A (mm/inches)	Xm (mm/inches)	W (mm/inches)	T (mm/inches)	CL, CH, CW (mm/inches)	
1CB06	SAE 5	8	22.5°	225/8.86	135/5.31	15/0.60	314/12.36	333/13.11	132 / 5.20, 323 / 12.72, 260 / 10.24	
1CB08	SAE 5	8	22.5°	240/9.45	135/5.31	15/0.60	314/12.36	333/13.11		
1CB10	SAE 5	8	22.5°	266/10.47	135/5.31	15/0.60	314/12.36	333/13.11		
	SAE 4	12	15°	266/10.47	135/5.31	30/1.18	362/14.25	381/15		
1CB13	SAE 5	8	22.5°	311/12.24	135/5.31	15/0.60	314/12.36	333/13.11		
	SAE 4	12	15°	311/12.24	170/6.69	30/1.18	362/14.25	381/15		
1CB16	SAE 5	8	22.5°	314/12.36	170/6.69	15/0.60	314/12.36	333/13.11		
	SAE 4	12	15°	314/12.36	170/6.69	30/1.18	362/14.25	381/15		
1CB20 1CB22	SAE 5	8	22.5°	364/14.33	170/6.69	15/0.60	314/12.36	333/13.11		156 / 6.14, 348 / 13.70, 255 / 10.04
	SAE 4	12	15°	364/14.33	170/6.69	30/1.18	362/14.25	381/15		
1CB25	SAE 4	12	15°	381/15	170/6.69	30/1.18	362/14.25	381/15		
1CB30	SAE 4	12	15°	425/16.73	200/7.87	30/1.18	362/14.25	381/15		

The company reserves the right to change specifications without prior notice.

COLISEUM ELECTRIC CORPORATION
 4087 HEARTHSTONE DRIVE
 SARASOTA, FL 34238 USA

sales@coliseumelectric.com
 phone: (941) 966-9370
 fax: (941) 296-7433

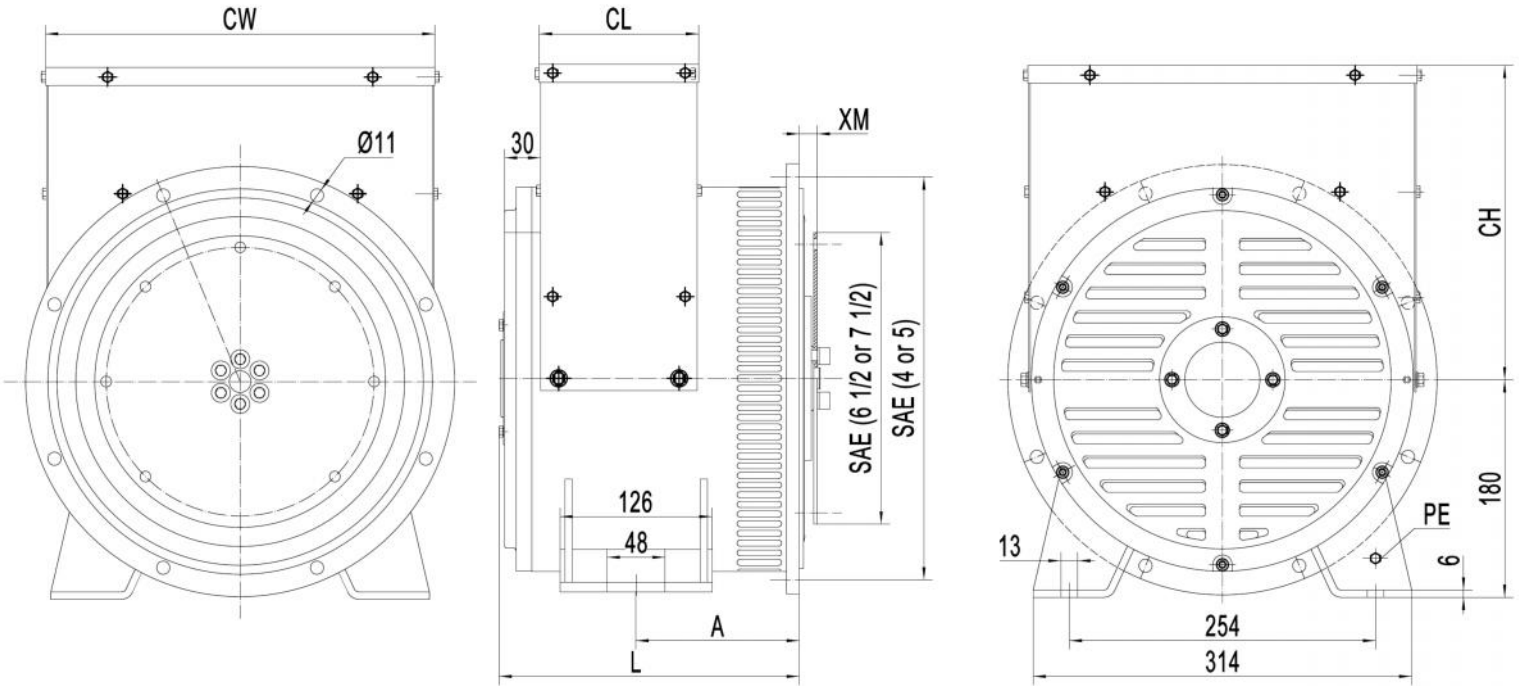
WWW.COLISEUMELECTRIC.COM



3CB SERIES

THREE PHASE BRUSHLESS SYNCHRONOUS INDUSTRIAL GENERATORS WITH OPTIONAL AUXILIARY WINDING
 RANGE: 9 kW – 30 kW, THREE PHASE
 VOLTAGE: 240/480V, 12 LEADS, RE-CONNECTABLE
 TEMP. RISE: 105 °C AT 40 °C AMBIENT TEMP.
 FREQUENCY: 4-POLE, 60HZ, 1800 RPM, P.F.=0.8

MODEL	CB09	CB12	CB16	CB20	CB22	CB25	CB30
Power (kW)	9	12	16	20	22	25	30
Weight kg (lbs)	65 (143)	85 (187)	105 (231)	115 (253)	120 (264)	130 (286)	155 (341)



TYPE	FLANGE	Z-HOLES	U	L (mm/inches)	A (mm/inches)	Xm (mm/inches)	W (mm/inches)	T (mm/inches)	CL, CH, CW (mm/inches)
CB09	SAE 5	8	22.5°	240/9.45	135/5.31	15/0.60 30/1.18	314/12.36	333/13.11	132 / 5.20, 323 / 12.72, 260 / 10.24
	SAE 4	12	15°	240/9.45	135/5.31	30/1.18	362/14.25	381/15	
CB12	SAE 5	8	22.5°	311/12.24	135/5.31	15/0.60 30/1.18	314/12.36	333/13.11	260 / 10.24
	SAE 4	12	15°	311/12.24	170/6.69	30/1.18	362/14.25	381/15	
CB16	SAE 5	8	22.5°	314/12.36	170/6.69	15/0.60 30/1.18	314/12.36	333/13.11	
	SAE 4	12	15°	314/12.36	170/6.69	30/1.18	362/14.25	381/15	
CB20 CB22	SAE 5	8	22.5°	364/14.33	170/6.69	15/0.60 30/1.18	314/12.36	333/13.11	156 / 6.14, 348 / 13.70, 255 / 10.04
	SAE 4	12	15°	364/14.33	170/6.69	30/1.18	362/14.25	381/15	
CB25	SAE 4	12	15°	381/15	170/6.69	30/1.18	362/14.25	381/15	
CB30	SAE 4	12	15°	425/16.73	200/7.87	30/1.18	362/14.25	381/15	

The company reserves the right to change specifications without prior notice.

COLISEUM ELECTRIC CORPORATION
 4087 HEARTHSTONE DRIVE
 SARASOTA, FL 34238 USA

sales@coliseumelectric.com
 phone: (941) 966-9370
 fax: (941) 296-7433

WWW.COLISEUMELECTRIC.COM