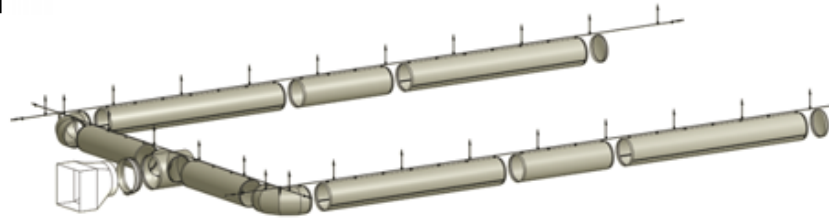


# INTRODUCTION TO FABRICAIR® ZIP-A-DUCT™

Zip-a-Duct™ is a Fabric Air Dispersion System built out of standardized sections or components. Most of the components are kept in stock and shipped with a maximum of 48 hours from time of order. It is quick to design, easy to install and price-competitive upon investment.



## USE IN ANY EXPOSED DUCT WORK APPLICATION



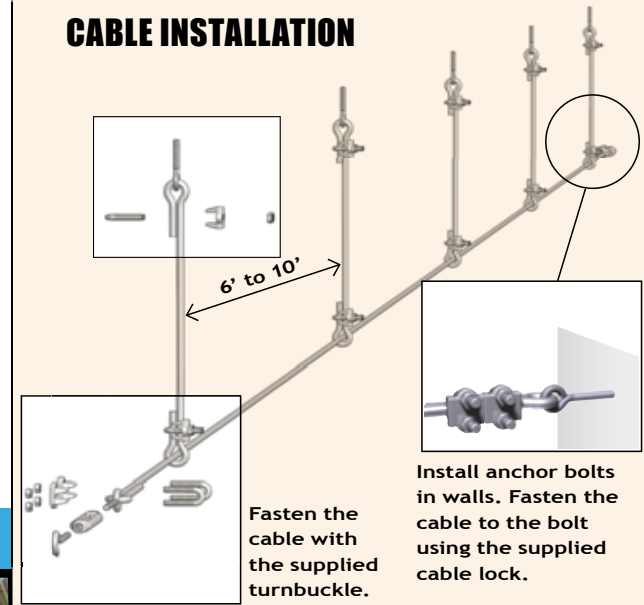
### ZIP-A-DUCT™ IS

- SHIPMENT WITHIN 48 HOURS
- BIG SAVINGS ON MATERIAL AND LABOR
- NEARLY 40 YEARS OF PROVEN PERFORMANCE AND RELIABILITY
- A UL-CLASSIFIED PRODUCT SUPPLIED BY A UL-REGISTERED FIRM
- ALL COMPONENTS MADE OUT OF FABRIC AND CONNECTED USING BUILT-IN ZIPPERS



Unlimited system designs are possible

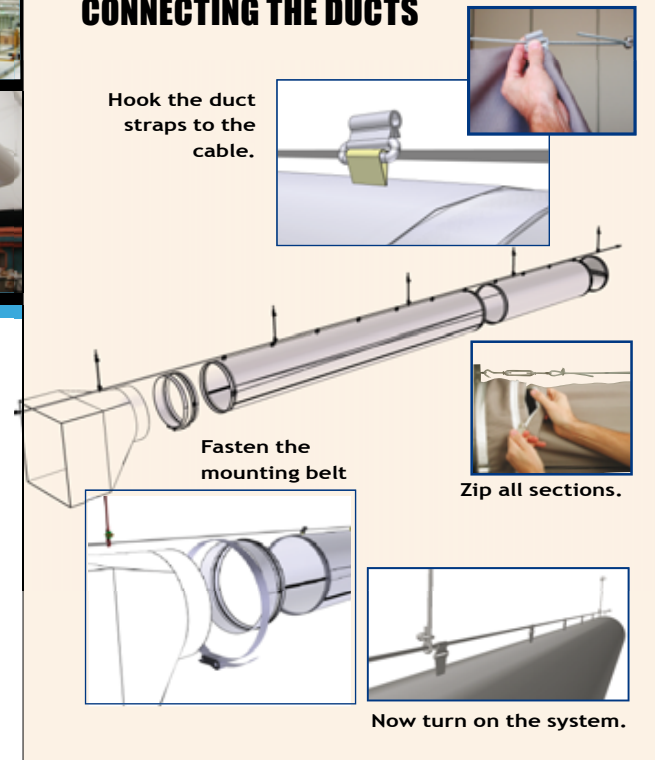
### CABLE INSTALLATION



Fasten the cable with the supplied turnbuckle.

Install anchor bolts in walls. Fasten the cable to the bolt using the supplied cable lock.

### CONNECTING THE DUCTS



Hook the duct straps to the cable.

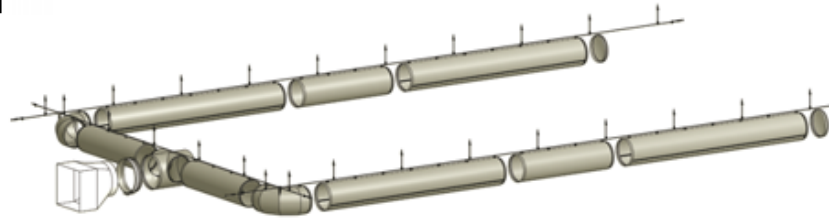
Fasten the mounting belt

Zip all sections.

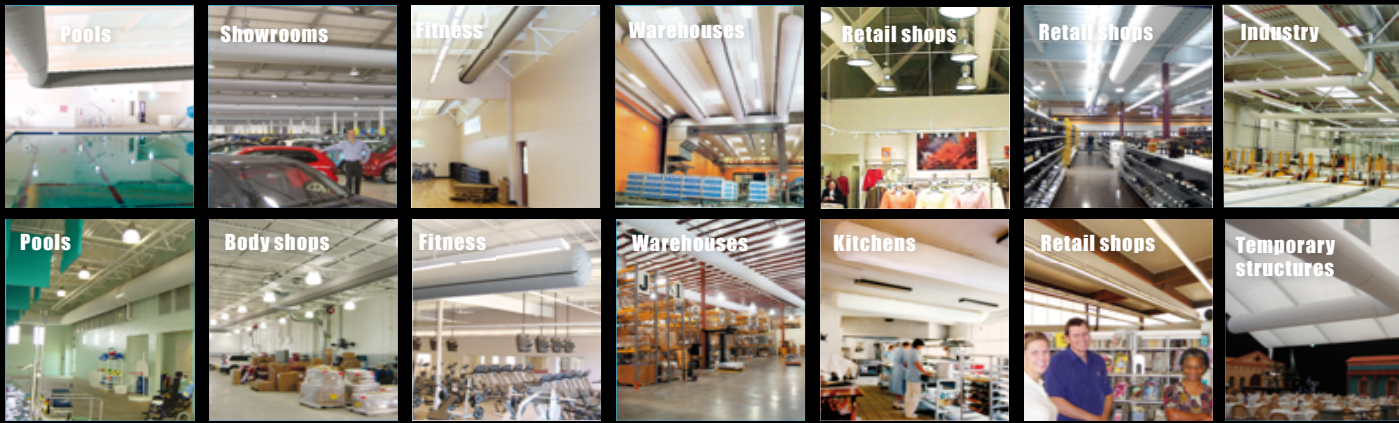
Now turn on the system.

# INTRODUCTION TO FABRICAIR® ZIP-A-DUCT™

Zip-a-Duct™ is a Fabric Air Dispersion System built out of standardized sections or components. Most of the components are kept in stock and shipped with a maximum of 48 hours from time of order. It is quick to design, easy to install and price-competitive upon investment.



## USE IN ANY EXPOSED DUCT WORK APPLICATION



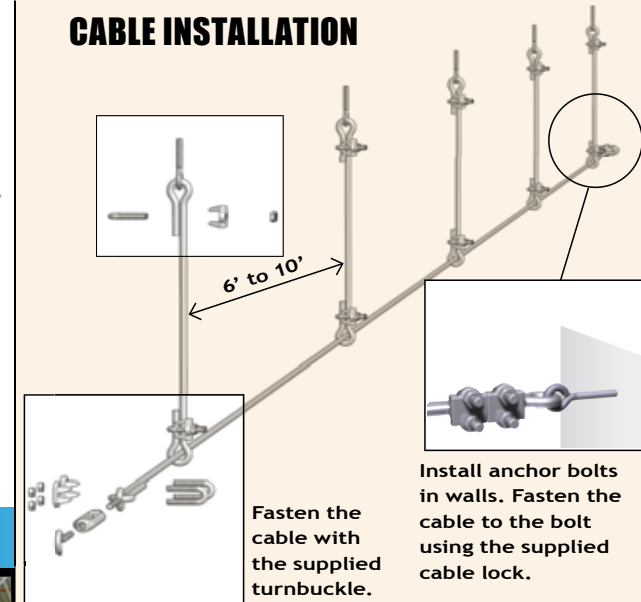
### ZIP-A-DUCT™ IS

- SHIPMENT WITHIN 48 HOURS
- BIG SAVINGS ON MATERIAL AND LABOR
- NEARLY 40 YEARS OF PROVEN PERFORMANCE AND RELIABILITY
- A UL-CLASSIFIED PRODUCT SUPPLIED BY A UL-REGISTERED FIRM
- ALL COMPONENTS MADE OUT OF FABRIC AND CONNECTED USING BUILT-IN ZIPPERS



Unlimited system designs are possible

### CABLE INSTALLATION



Fasten the cable with the supplied turnbuckle.

Install anchor bolts in walls. Fasten the cable to the bolt using the supplied cable lock.

### CONNECTING THE DUCTS

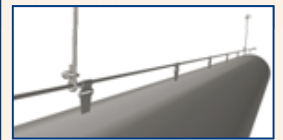
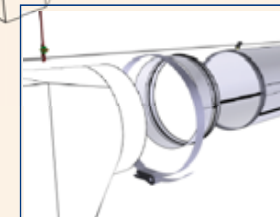
Hook the duct straps to the cable.



Fasten the mounting belt



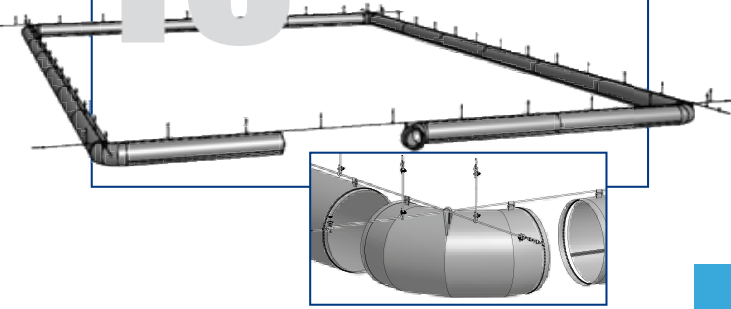
Zip all sections.



Now turn on the system.

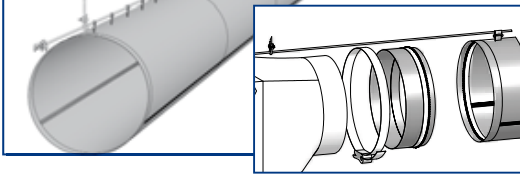
# 15 TON

Example using a 15 ton AHU - 6000 CFM.  
One complete loop: 28" x 200'.



# 10 TON

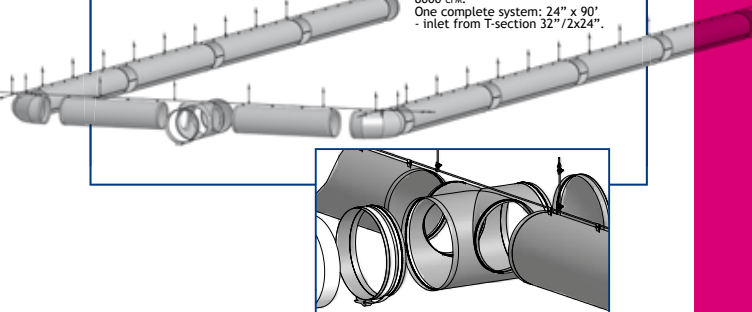
Example using a 10 ton AHU - 4000 CFM.  
One straight run: 24" x 120'.



# 20 TON

## USING A T-SECTION

Example using a 20 ton AHU - 8000 CFM.  
One complete system: 24" x 90' - inlet from T-section 32" / 2x24'.



Zip-a-Duct™ is much quicker to install than any other duct system. The overall price offers big savings when installing.



### AVAILABLE FABRIC COLORS

						The colors shown are intended as a guide only. A sample of the exact color may be obtained at FabricAir®.
Dark Gray	Blue	Black	White	Green	Red	
01	02	03	04	05	06	Color code No.
						45 XX 16410000
						Example of stock item No.

In stock. Shipped within 48 hours from order.

Additional lead time. Shipped approx. 2-3 weeks from order. Additional charge for a fabric color is +5%.



**ZIP-A-DUCT™ CAN BE INSTALLED IN A FRACTION OF THE TIME, COMPARED TO SHEET METAL— IT IS QUICK AND EASY**

- YOU NEED**
- NO GRILLS
  - NO DIFFUSERS
  - NO PAINTING
  - NO BALANCING

**WORKS ON ANY SYSTEM FROM 3 TO 25 TON**

Find your local store at [www.zip-a-duct.com/rep](http://www.zip-a-duct.com/rep)



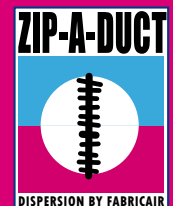
All rights reserved by FabricAir®. The latest version can be downloaded from [www.zip-a-duct.com](http://www.zip-a-duct.com). We are not responsible for printing errors, nor for modified or discontinued products. FabricAir® Zip-a-Duct™. Product Leaflet 21034123121 (2011-APRIL US)

Certificate of Registration File Number: A13655 ISO9001:2000



WWW.ZIP-A-DUCT.COM  
INFO@FABRICAIR.COM

FABRICAIR, INC.  
312-A SWANSON DRIVE  
LAWRENCEVILLE, GA 30043, USA  
PHONE (502) 493-2210  
FAX (502) 493-4002



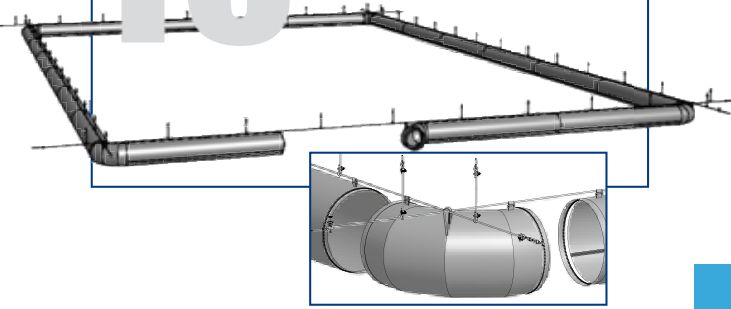
# ZIP-A-DUCT™

\*Note: "IN STOCK" refers to FabricAir Warehouse in Lawrenceville, GA. Normal shipping time is 2 days.



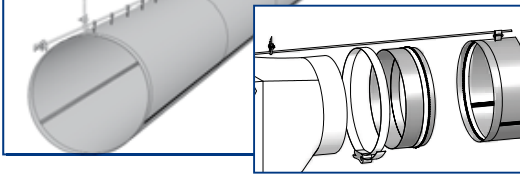
# 15 TON

Example using a 15 ton AHU - 6000 CFM.  
One complete loop: 28" x 200'.



# 10 TON

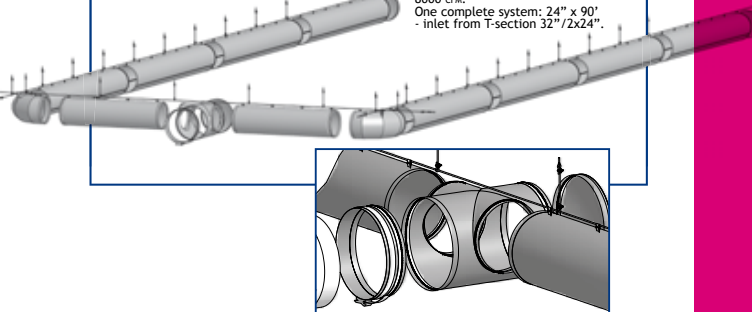
Example using a 10 ton AHU - 4000 CFM.  
One straight run: 24" x 120'.



# 20 TON

## USING A T-SECTION

Example using a 20 ton AHU - 8000 CFM.  
One complete system: 24" x 90' - inlet from T-section 32" / 2x24'.



Zip-a-Duct™ is much quicker to install than any other duct system. The overall price offers big savings when installing.



### AVAILABLE FABRIC COLORS

						The colors shown are intended as a guide only. A sample of the exact color may be obtained at FabricAir®.
Dark Gray	Blue	Black	White	Green	Red	
01	02	03	04	05	06	Color code No.
						45 XX 16410000
						Example of stock item No.

In stock. Shipped within 48 hours from order.

Additional lead time. Shipped approx. 2-3 weeks from order. Additional charge for a fabric color is +5%.



**ZIP-A-DUCT™ CAN BE INSTALLED IN A FRACTION OF THE TIME, COMPARED TO SHEET METAL— IT IS QUICK AND EASY**

- YOU NEED**
- NO GRILLS
  - NO DIFFUSERS
  - NO PAINTING
  - NO BALANCING

**WORKS ON ANY SYSTEM FROM 3 TO 25 TON**

Find your local store at [www.zip-a-duct.com/rep](http://www.zip-a-duct.com/rep)



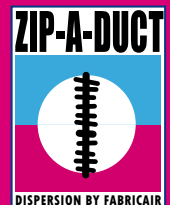
All rights reserved by FabricAir®. The latest version can be downloaded from [www.zip-a-duct.com](http://www.zip-a-duct.com). We are not responsible for printing errors, nor for modified or discontinued products. FabricAir® Zip-a-Duct™. Product Leaflet 21034123121 (2011-APRIL US)

Certificate of Registration File Number: A13655 ISO9001:2000



WWW.ZIP-A-DUCT.COM  
INFO@FABRICAIR.COM

FABRICAIR, INC.  
312-A SWANSON DRIVE  
LAWRENCEVILLE, GA 30043, USA  
PHONE (502) 493-2210  
FAX (502) 493-4002



# ZIP-A-DUCT™

\*Note: "IN STOCK" refers to FabricAir Warehouse in Lawrenceville, GA. Normal shipping time is 2 days.