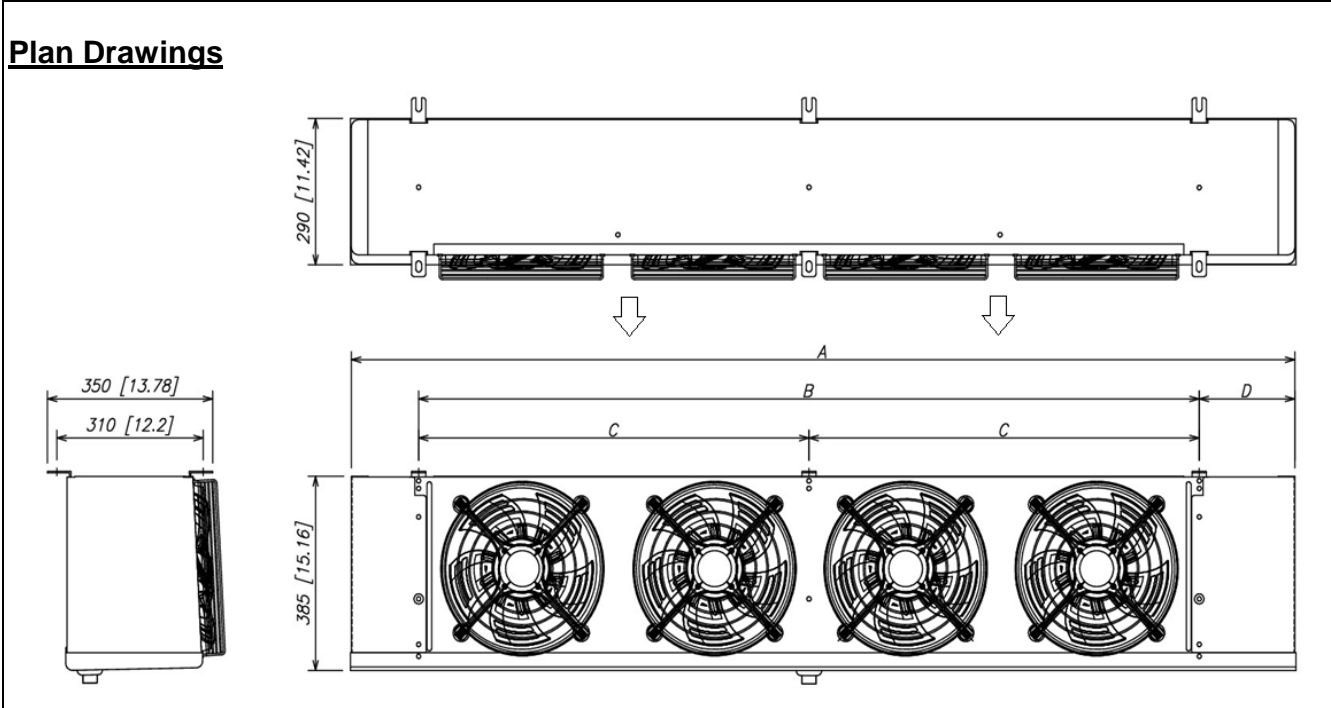




Infinity Refrigeration Inc
 9419 Ann Street
 Santa Fe Springs, CA 90670
 Ph: 888-328-9050
 Fx: 562-287-8903

Submittal Data/Drawings Sheet
 Low Profile Unit Cooler "ILE" Low Temp Model
 Remote Refrigeration System
 For Review Date: 12/21/2017
 For Approval By:

Job Name: _____ **Job Location:** _____
Engineer/ Architect : _____ **Customer:** _____ **Order #** _____
Model No. : _____ **Item No. :** _____ **Unit Qty:** _____ **Ref. #** _____
Notes:



Performance Data "ILE" Electric Defrost, Low Temperature (60Hz)

Unit Model Number	Capacity		Fan Data	
	BTuH / Watts 10° F TD -20° F SST	BTuH 10° F TD 25° F SST	12in / 30cm Diameter Qty	CFM/ m³H
ILE190B	19,000 / 5,564		4	3,244 / 5,512

Physical Data

Unit Model Number	Refrigeration Connections (Inches)			Drain	Dimensions (inches/cm)				Weight (lbs/kgs)
	Coil Inlet	Suction	External Equalizer		A	B	C	D	
ILE190B	1/2 OD	1-1/8 ID	1/4 OD	3/4MPT	78.9/2,005	65.2/1,655	32.6/827.5	8.07/205	

Electrical Data

EC Motor Data 208-230V / 60Hz / 1Φ			Defrost Heaters Data			
HP	Total Amps	Watts	Watts	208-230V / 60Hz / 1 Φ		208-230V / 60Hz / 3 Φ
				Total Amps		Total Amps
1/15	1.36	313	3639	15.82		9.13

