

Farenhyt



SILENT
KNIGHT

by Honeywell

Addressable Multicriteria Smoke Detector

IDP-Acclimate

The IDP-Acclimate Multicriteria Photoelectric Smoke Detector incorporates both thermal and photoelectric technologies that interact to maximize detection. An on-board microprocessor with advanced software focuses on rejecting nuisance alarms. The IDP-Acclimate is for use with Silent Knight IFP-series fire alarm control panels (FACPs).

Using advanced software, IDP-Acclimate continuously samples the air in the environment and adjusts its detection parameters and alarm threshold accordingly. And it does this automatically, without user intervention.

A patented photoelectric sensing chamber and dual thermistor heat detector combine with an array of on-board software tools, to maximize fire detection. In a real fire, the smoke and heat sensors work together to make the quickest possible decision. The photo sensor is optimized for smoldering fires, the heat sensors are rate-of-rise compensated to provide a faster response to flaming fires. The on-board intelligent software combines both signals to give an early alarm.

A dual stage drift compensation feature reduces maintenance frequency. IDP-Acclimate offsets the effects of gradual dust build-up and will notify the control panel before its compensation level is reached, allowing time for maintenance. Once the compensation limit is reached, a second signal is sent to the control panel indicating an urgent need for maintenance.

Features

- Reliable analog communications for trouble-free operation
- Age resistant polymer housing
- Dual electronic thermistor design
- Superior EMI resistance for reliability
- Microprocessor-based design to provide maximum features
- Simple field cleaning for code compliance
- 0.025" mesh bug screen to keep unwanted insects out
- Variety of mounting options to meet any application
- Dual LED indicators for 360° visibility
- On-board drift compensation reduces maintenance
- Detector transmits signal to indicate maintenance is required
- Detector sensitivity increases in hot fires
- Transient smoke conditions are ignored
- Plug-in mounting provides ease of installation
- Tamper-proof feature available on mounting bases
- Rotary address switches for fast installation
- UL Listed

Agency Listings



MEA

225-02-E Vol. V



IDP-Acclimate (Base Not Included)

Installation

The IDP-Acclimate plugs into a compatible IDP-series detector base.

Compatibility

The IDP-Acclimate is compatible with the following IDP-series detector bases:

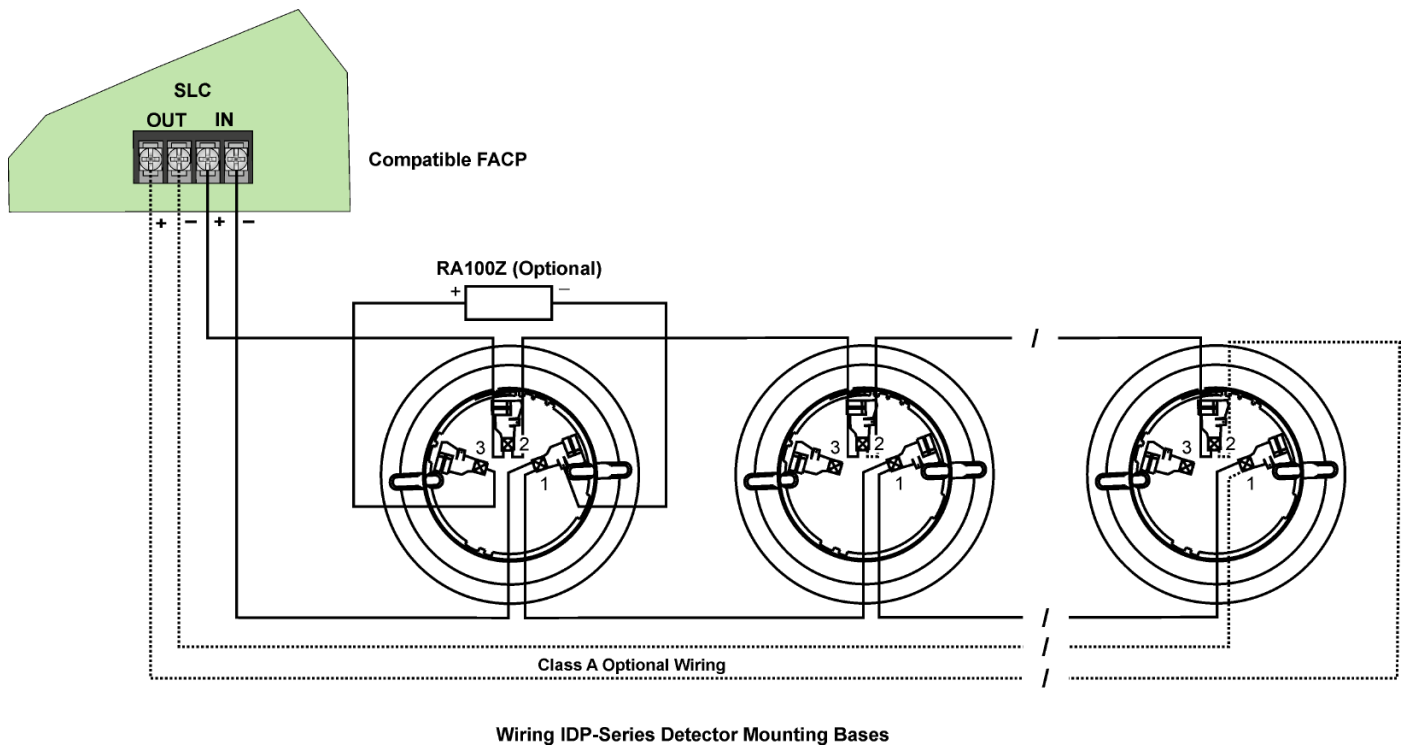
- B210LP 6" Mounting Base
- B501 4" Mounting Base*
- B224BI 6" Isolator Base*
- B224RB 6" Relay Base*
- B200SR Sounder Base

The IDP-Acclimate is compatible with the following FACPs:

- IFP-2000 / RPS-2000 Intelligent Fire Panel
- IFP-2000ECS Emergency Communication System with Fire Panel
- IFP-1000 / ECS Intelligent Fire Panel
- IFP-100 / ECS Intelligent Fire Panel
- IFP-50 Intelligent Fire Panel

P/N 350281 Rev G

© 2015 Honeywell International Inc.



Specifications

Physical

Height: 1.66" (4.2 cm)
 Diameter: 4.0" (10.2 cm)
 Shipping Weight: 5.2 oz. (147 g)

Electrical

Operating Voltage: 15–32 VDC
 SLC Standby and Alarm Current:
 300 μ A @ 24 VDC (one communication every 5 sec with LED enabled)
 LED Current: 6.5 mA @ 24 VDC max (when on)

Environmental

Operating Temperature: 32° – 100°F (0°C–38°C)
 Humidity: 10% – 93% non-condensing

Other Ratings

Thermal: Fixed Temperature Setpoint: 135°F (57°C)
 Velocity: 0 – 4000 fpm (0 – 6.1 m/sec)
 Insect Screen Hole Size: 0.025" (0.64 mm) nominal

Ordering Information

IDP-Acclimate Multicriteria Photoelectric Smoke Detector

Accessories

RA100Z	Remote LED Annunciator.
XR2B	Detector Removal Tool. A removal and replacement tool for IDP plug-in detectors. Includes the T55-127-000.
M02-04-01	Detector Test Magnet.
M02-09-00	Test Magnet with Telescoping Handle.
XP-4	Extension Pole for XR2B. Extends from 5 – 15 ft.
T55-127-000	Detector Removal Head.
BCK-200B	Black Detector Kit. For IDP-series detectors.



**SILENT
KNIGHT**

by Honeywell

This document is not intended to be used for installation purposes. We try to keep our product information up-to-date and accurate. We cannot cover all specific applications or anticipate all requirements. All specifications are subject to change without notice. For more information, contact Silent Knight 12 Clintonville Road, Northford, CT 06472-1610 Phone: (800) 328-0103, Fax: (203) 484-7118.
 For Technical Support, Please call 800-446-6444. www.farenhyt.com