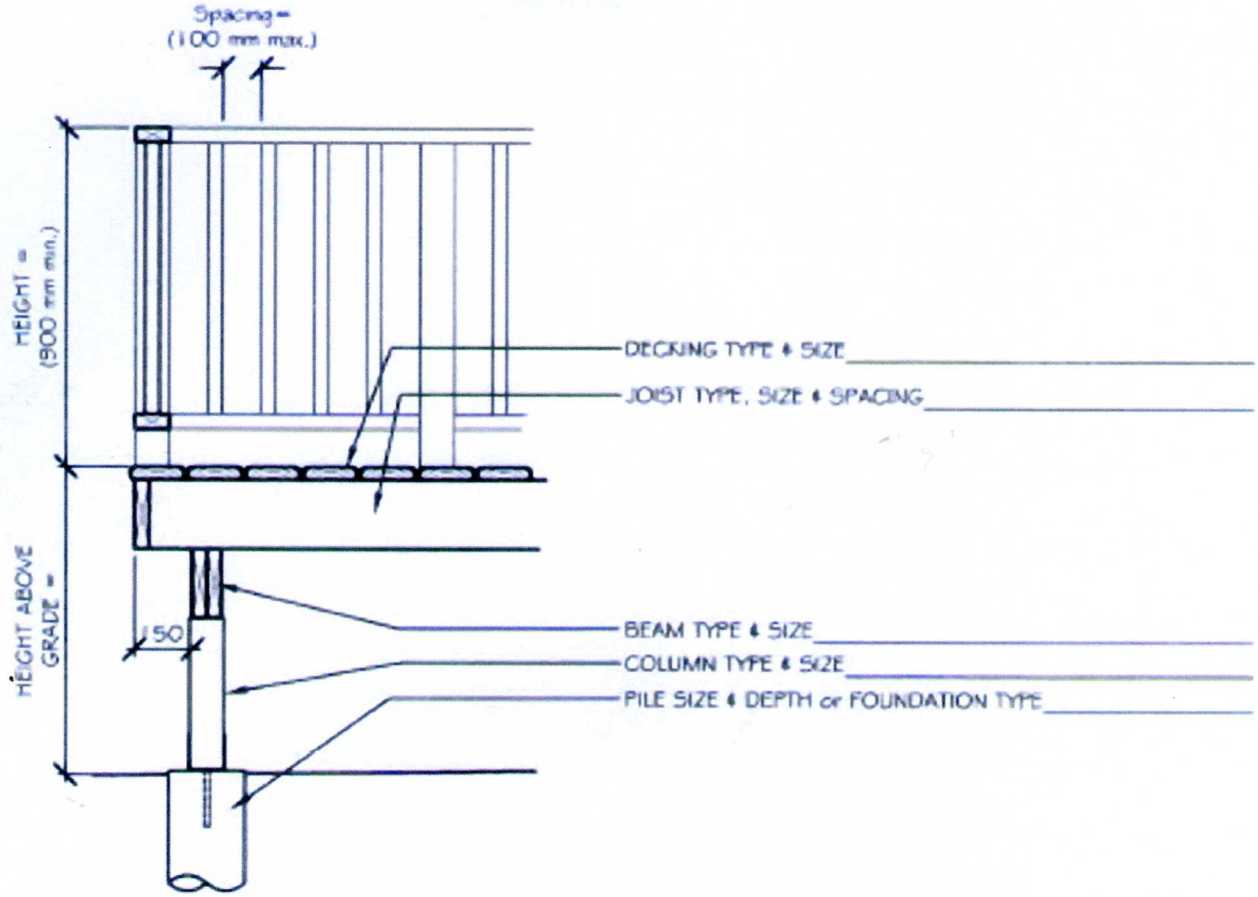
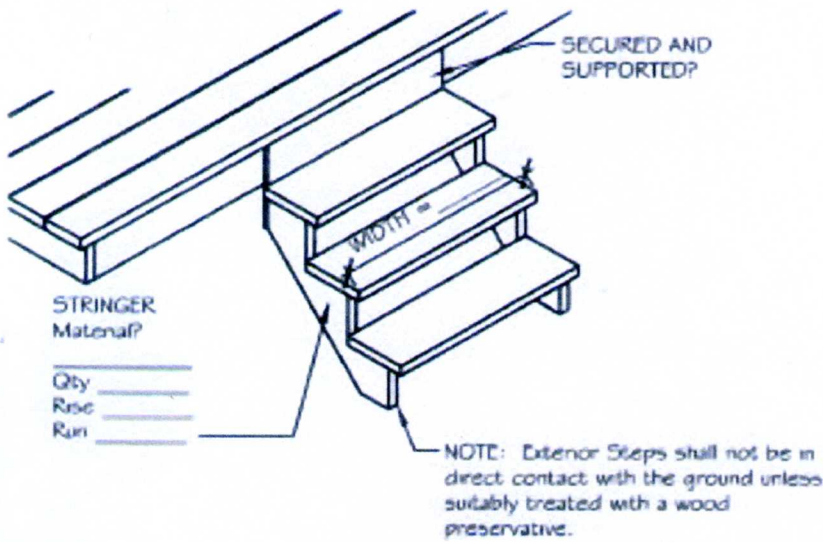


# DECKS

## SUPPLEMENT TO BUILDING PERMIT APPLICATION



TYPICAL SECTION AT THE BEAM



### SITE PLAN:

- Using a photocopy of the existing surveyor's certificate or making a sketch from scratch, show the deck location and distances to the property line.
- Show overall deck dimensions.

\*Site plan may be submitted on a separate sheet or the back of this one