

# GAS LEAKAGE DETECTION FOR HOME APPLIANCES USING IOT AND ARDUINO

Rajesh Kumar<sup>1</sup>, Medasani Ashok<sup>2</sup>, Kalakonda Rishika Reva<sup>3</sup>

<sup>2,3</sup>*Undergraduate Student, Computer Science and Engineering, SRM Institute of Science and Technology, Kattankulathur, Tamilnadu-603203, India*

<sup>1</sup>*Assistant Professor, Computer science and Engineering, SRM Institute of Science and Technology, Kattankulathur, Tamilnadu-603203, India*

<sup>1</sup>@srmist.edu.in, <sup>2</sup>mm1540@srmist.edu.in, <sup>3</sup>kk7010@srmist.edu.in

**Abstract** - The blast because of gas spillage has become a difficult Issue in our nation's every day exercises. Presently the world is developing with innovation, so it is important to utilize innovation if conceivable for each situation. LPG gas to determine the mishap happened we can forestall it through innovation. The framework depends on a microcontroller, which uses gas and fire sensors just as LM35, load cell, GSM, LCD show and bell. It is intended for LPG Gas Leakage Monitoring and Alert System utilizing Nodemcu with MQ sensor. This circuit contains MQ gas sensor, microcontroller, signal, show and GSM. The sensor will recognize the gas spillage and furthermore observing to gas temperature and burden utilizing load cell that information has send the data to the microcontroller. Based on those data, the microcontroller settles on a choice and afterward shows an admonition message on the showcase and the message will be shipped off the client by means of GSM. The employments of the Arduino microcontroller with Arduino, give a reasonable stage to executing an implanted control framework and it is conceivable to change it to meet our future prerequisites effectively and rapidly.

## I. INTRODUCTION

Fire and Gas frameworks (FGS) are significant devices for shielding our home and different offices that handle combustible and poisonous materials. All such offices have characteristic fire hazard that can't be completely alleviated with instrumented at times these offices require the establishment of fire and gas frameworks to moderate these dangers. Legitimate plan of fire and gas frameworks starts with the determination of a presentation focus for capacities utilized by the fire and gas framework. Execution of a fire and gas System is essentially portrayed

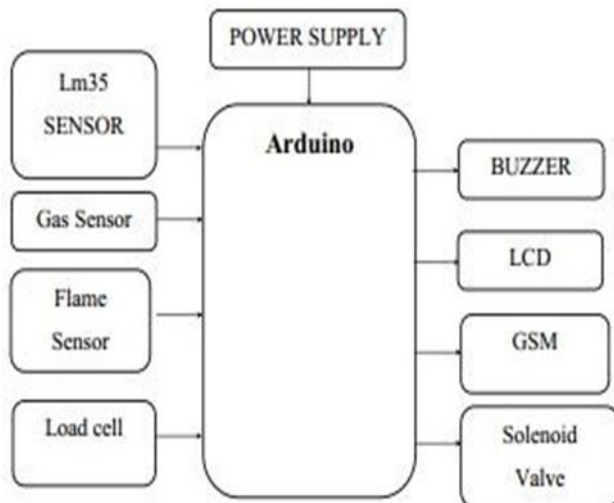
## II. LITERTURE SURVEY

This paper presents the growth in the industrial monitoring system's design using Internet of Things (IOT). The sensor used for the development of this system is MQ-2 which detects the leak age of gas at any atmospheric condition and fire sensor as a simple and compact device

for protection against fire. In gas sensor system, Raspberry pi plays an important role such that all the components are interfaced to it. This avails the observer to notice the changes from anywhere in the world. This article is to present an integrated end to end wireless sensor network (wsn) system. It integrates hardware and software for early warning gas leakage detection and monitoring applications by fully utilizing the functionalities internet of things (IOT) and capabilities in WSNs at the network level due to which the network performance is improved. This paper explains theoretical basis for sulfur hexafluoride gas leakage early-warning and emergency disposal, which will contribute to the prevention of suffocation-related accidents Gas leakage is a major problem with industrial sector, residential areas and gas driven vehicles like CNG (Compressed Natural Gas) buses, cars etc. One of the preventive methods to stop accidents related with the gas leakage is to install a gas leakage detection device at permeable places. The aim of this project is to develop such a device that can automatically detect and stop gas leakages in those permeable areas. The system detects the leakage of the LPG (Liquefied Petroleum Gas) using a gas sensor and uses the GSM to alert the person about the gas leakage via SMS. Most of the fire-breakouts in industries are due to gas leaks. These cause dreadful damage to the equipment, human life leading to injuries, deaths, and environment. Currently available leakage detectors warn the people around using on-site alarms. So, this project proposes a leakage detector which sends the warning to the concerned people through SMS. This detector senses the presence of harmful gases particularly, LPG, Methane and Benzene. Spotlight component for toxic gas monitoring is carbon nanotube transistor. In this regard, we present a new toxic gas molecules sensor base on a single-walled carbon nanotube transistor and use the Poisson and Schrodinger equations in a self-consistent manner and is modeled using non-equilibrium Green's function. Sulfur hexafluoride (SF<sub>6</sub>) gas leakage in populous urban areas, once occurring, can cause death from suffocation if its concentration largely exceeds 1000ppm and oxygen concentration is low than 19 vol-%. Leakage that cannot be detected and responded to with prompt and effective measures can even lead to large death tolls. This paper analyzes the research

progress of pipeline leak detection technology based on optical fiber sensing technology firstly and proposes an algorithm for monitoring gas pipeline leakage based on distributed optical fiber acoustic sensing (DAS) system. At present, a CT testing system based on the MFL has saturated longitudinal magnetic field induction in the tubing and magnetic CT in the axial direction. Traditional MFL detection, magnetization and scanning directions are always along the longitudinal or axial direction of the ferromagnetic object. Indoor air pollution has become a serious issue affecting public health. An indoor air quality monitoring system helps in the detection and improvement of indoor air quality. The monitoring systems presently available are very expensive. In this paper, we present a low-cost indoor air quality monitoring wireless sensor network system developed using Arduino, XBee modules, and micro gas sensors. Battery gas leakage is an early and reliable indicator for irreversible malfunctioning. In this paper is proposed an automatic gas detection system with catalytic type sensors and reconstruction approach for precise gas emission source location inside battery pack. Detection system employs a distributed array of CO sensors In order to solve the problem of inflexible location, dead angle and large measurement error of the network node of the wire monitoring system for factory toxic gas leakage, a toxic gas monitoring and alarm system based on CC2530 wireless sensor network is designed. The hardware design of the monitoring system and the hardware design of the CC2530 network node are mainly studied. The system guarantees the mobility of the poisonous gas monitoring node, the absence of monitoring dead angles, and the improvement of measurement accuracy.

### III. BLOCK DIAGRAM



### BLOCK DIAGRAM EXPLANATION

The microcontroller instates the Gas and Flame sensor,

Lm35, Load cell, signal and LCD show. They begin perusing the simple voltage from the Gas and Flame sensor. The simple yield pin of the module is utilized for identifying focus level of gas spillage and interfaced with the simple info pin of the Arduino board. The sensor esteem is contrasted and an aligned edge and if the sensor esteem surpasses that esteem, the signal gets actuated simultaneously the message will be ship off the specific individual. If the spillage level is higher for example in the peril level, the circuit identifies and it shows the ADC esteem or the mathematical worth more

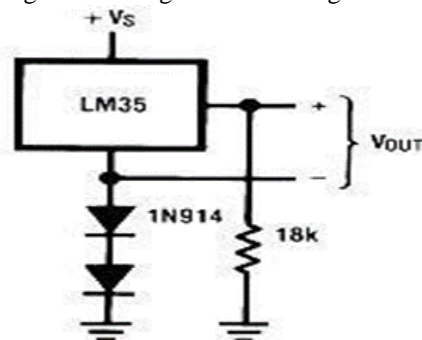
## IV. PROPOSED METHODOLOGY

### 1.ESP8266 Arduino

The ESP8266 is a very user friendly and low cost device to provide internet connectivity to your projects. The module can work both as a Access point can create hotspot and as a station can connect to Wi-Fi, hence it can easily fetch data and upload it to the internet making Internet of Things as easy as possible. It can also fetch data from internet using API's hence your project could access any information that is available in the internet, thus making it smarter. Another exciting feature of this module is that it can be programmed using the Arduino IDE which makes it a lot more user friendly. However this version of the module has only 2 GPIO pins so you have to use it along with another micro controller like Arduino, else you can look onto the more standalone ESP-12 or ESP-32 versions. So if you are looking for a module to get started with IOT or to provide internet connectivity to your project then this module is the right choice for you

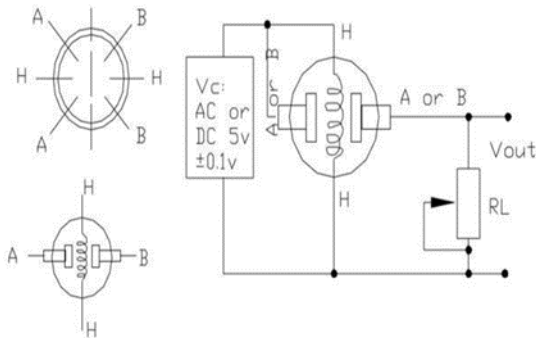
### LM35 Sensor

A temperature sensor is a gadget, generally a RTD (opposition temperature locator) or a thermocouple, that gathers the information about temperature from a specific source and converts the information into reasonable structure for a gadget or a spectator Temperature sensors are utilized in numerous applications like HV and AC framework ecological controls, food preparing units, clinical gadgets, synthetic taking care of and car in the engine checking and controlling frameworks, and so forth



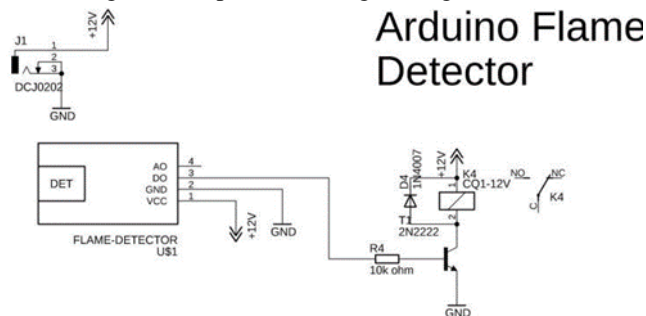
## Gas Sensor

MQ-2 gas sensor is more delicate to recognize different kinds of gases, for example, alkali, sulfide likewise can screen smoke and other poisonous gases well. It can recognize sorts of poisonous gases. It is an ease sensor for some applications. It is touchy to poisonous gas. It has favorable position of long life expectancy. Its expense is likewise low and it has basic drive circuit. MQ-2 gas sensor is broadly utilized in gas alert and modern gas caution.



## Flame Sensor:

The Fire sensor is utilized as a basic gadget for discovery of fire and insurance against it. The module has a comparator to recognize fire and its reach is up to meters and it relies upon the thickness of fire. It has fire marker LED. Alignment is preset for range change.



## GSM MODEM

A GSM modem is a gadget which can be either a cell phone or a modem gadget which can be utilized to cause a PC or some other processor to convey over an organization. A GSM modem requires a SIM card to be worked and works over an organization range bought in by the organization administrator. It very well may be associated with a PC through sequential, USB or Bluetooth association. A GSM modem can likewise be a standard GSM cell phone with the fitting link and programming driver to interface with a sequential port or USB port on your PC. GSM modem is generally desirable over a GSM cell phone. The GSM modem has wide scope of uses in exchange terminals, inventory network the board, security applications, climate stations and GPRS mode far off information logging. A GSM modem appropriately interfaced to the MC through the level shifter IC Max232. The SIM card mounted GSM modem after

accepting digit order by SMS from any mobile phone send that information to the MC through sequential correspondence. While the program is executed, the GSM modem gets order 'STOP' to build up a yield at the MC, the contact purpose of which are utilized to debilitate the start switch. The order so sent by the client depends on a hint got by him through the GSM modem 'ALERT' a customized message in particular if the info is driven low. The total activity is shown over LCD show.

## LCD

LCD (Liquid Crystal Display) screen is an electronic showcase module and locate a wide scope of uses. A LCD show is extremely essential module and is normally utilized in different gadgets and circuits. These modules are favored more than seven fragments and other multi section LEDs. The reasons being: LCDs are conservative; effectively programmable; have no constraint of showing extraordinary and even custom characters (not at all like in seven fragments), movements, etc.

## Solenoid valve

A solenoid valve is an electro precisely worked valve. Solenoid valves contrast in the attributes of the electric flow they use, the strength of the attractive field they create, the system they use to manage the liquid and the sort and qualities of liquid they control. The component changes from direct activity, unclogger type actuators to rotated armature actuators and rocker actuators. The valve can utilize a two-port plan to control a stream or utilize a three or more-port plan to switch streams between ports. Various solenoid valves can be set together on a complex

## V. CONCLUSION

Its capacity to caution its partners about the spillage of the LPG gas. The future parts of this locator incorporate the GSM module and a sightseer circuit which builds the proficiency of the framework and gives more wellbeing to the clients. This identifier is executed effectively and is anything but difficult to utilize and furthermore a minimal effort item. Another favorable position of this gadget is that despite the fact that in the event that nobody is there in the house and, at that point gas spills happens, GSM module is there to send quick messages to the partners with respect to the gas hole and accordingly it brings down the power of mishaps. GSM module in this gadget guarantees better wellbeing with respect to the gas spills.

## VI. REFERENCE

- [1]. Deepthi Miriyampalli, Ponnuri Anil Kumar, Abdul Khadir Shaik, Ravichandra Vipparla, Komalphanindra Potineni. "Gas Leakage Detection based on IoT using Raspberry Pi" in "International Journal for research in applied science and engineering technology (IJRASET)" Pg: 2321-9653.
- [2]. Md Saifudaullah Bin Bahrudin, Rosni Abu Kassim. "Development of Fire Alarm System using Raspberry Pi and Arduino Uno" in "2013 International Conference on

Electrical, Electronics and System Engineering”

- [3]. A. V. Duraivel, Beniel Wellington, A. Arul Nayagam, R. C. Kijral. “An Iot Based Fire Alarming And Authentication System For Workhouse Using Raspberry Pi 3”. In “International Journal of Emerging Technology in Computer Science & Electronics (IJETCSE) Pg: 0976-1353”.
- [4]. M.Vadivel, M.Poongodhai, R.Madhumitha, V.Nivetha, J.KamilaBanu. “Iot Based Home Visitor Monitoring System Using Raspberry Pi”. In “International Research Journal of Engineering and Technology (IRJET)” e-ISSN: 2395-0056, Pg: 2395- 0072.
- [5]. Ashish Shrivastava, Ratnesh Prabhakar, Rajeev Kumar, Rhul Verma,, “GSM based gas leakage detection system”. In “International journal of Engineering Trends in Electrical and Electronics”, Vol.3, Issue 2, Pg.4245,2013.
- [6]. Mahalingam. A, R. T. Nayaagi, and N. E. Mastorakis. “Design and implementation of an economic gas leakage detector”. Research es in Applications of Electrical and Computer Engineering, Pg 20-24, 2012.
- [7]. C. Shunxia and C. Yanda, " Design Of Wireless Intelligent Home Alarm System," Industrial Control and Electronics Engineering (ICICEE), 2012 International Conference on, Pg 1511, August 2012.