

Radio Interface Cable

For NCS-C250 Mobile Multi-Switcher

NCS Model Number

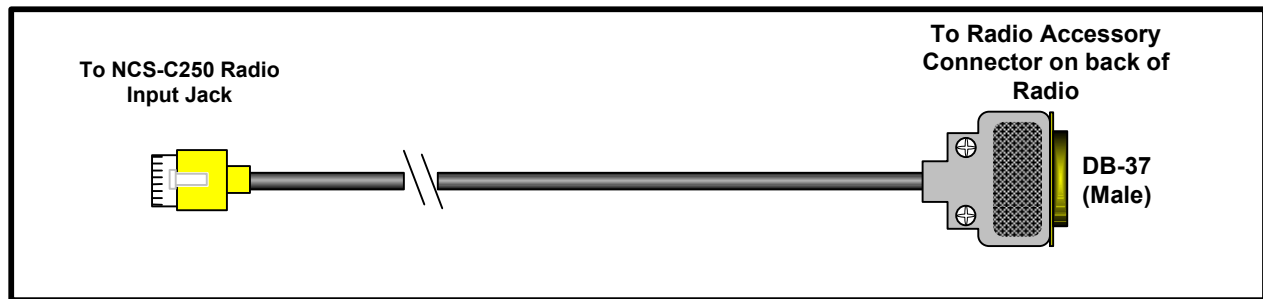
NCS-250-ABA-XX

Compatible Radios:

MA/COM Orion

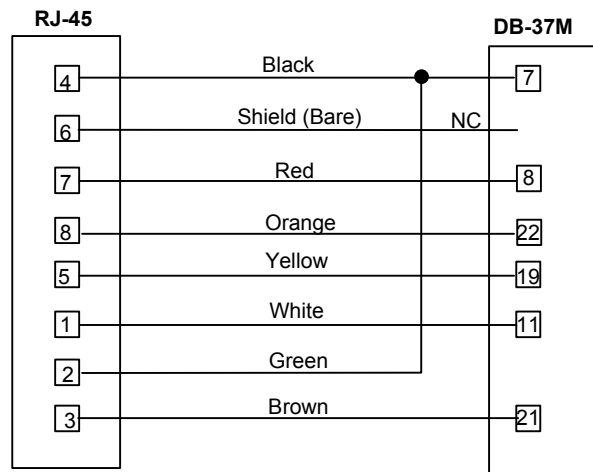
Harris Orion

Ericsson D28LPX



RJ-45

Pin #	Wire Color	Function
1	White	Mic Hi
2	Green	Mic Lo
3	Brown	PTT
4	Black	Ground
5	Yellow	Rx Audio
6	Shield	Ground
7	Red	Hook Sw
8	Orange	COR



Cable Wiring

Notes:

1. Program External Mute, active high output 1 for COR on Pin 22
2. Program Aux Input1 (pin 21) for PTT
3. Adjust the radio's volume control for proper audio level to the NCS-C250. Once the proper (undistorted) level is determined the radio's volume cannot be changed. For convenience the radio's minimum volume can be programmed to this level resulting in the minimum volume setting producing the proper receive audio level.