

AVA

Cabinetry



www.avacabinetry.com

2075 W Beecher Rd Adrian, MI 49221



info@avacabinetry.com

888-315-6180



INDEX

CABINET STYLES

Charleston Antique White	08
Charleston Saddle	09
Charleston Cherry	10
Charleston Toffee	11
York Antique White	12
York Saddle	13
York Chocolate	14
Shaker White	15
Shaker White Elite	16
Shaker Espresso	17
Shaker Cinnamon	18
Madison Chocolate	19
Madison Toffee	20
Madison Antique White	21
Bristol Chocolate	22

WALLS

Single/Double Door Wall Cabinets	23-33
Bridge Wall Cabinets	34-35
Refrigerator Wall Cabinets	36
Diagonal Corner Wall Cabinets	37
Blind Corner Wall Cabinets	38
Angle Wall Cabinets	39
Microwave Oven Cabinets	40
Decorative Wall Cabinets/Stackers	41
Wall Modification Kit	42

BASES

Full Height Door Base Cabinets	43
Single Door/Single Drawer Base Cabinets	44-46
Sink Base/Farm Sink Base	47
Drawer Base Cabinets	48
Lazy Susan Base Cabinets/Corner Sink Base	49
Blind Base Corner Cabinets	50
Angle Base Cabinets	51
Microwave Base Cabinets	51

TALLS

18" Utility Cabinets	52
24"/30" Utility Cabinets	53
33" Universal Oven Cabinets	54

ACCESSORIES

Wall Spice Drawer Cabinets	55
Base Spice Drawer Cabinets	55
Wine Rack Cabinets	56
Plate Rack	56
Stem Glass Holder	56
Wall End Shelf	57
Base End Shelf	57

ACCESSORIES

Drawer File Base Cabinets	58
Desk Drawer	58
Range Hood Cover	59
Arched Valance	59
Book Case	60
Corbels	61
Bullseye Overlay Blocks	61
Bun Feet	61
Decorative Legs	62
Split Post Overlay Fillers	62
Shelf Kit	63
Touch Up Kit	63
Mirror Frame Kit	63
Roll Out Shelf	64

PANELS, FILLERS & TRIMS

Scribe Moulding	65
Batten Moulding	65
Quarter Round Moulding	65
Inside Corner Moulding	65
Outside Corner Moulding	66
Angle Outside Corner Moulding	66
Toe Kick	66
Crown Moulding	67
Rope Moulding	68
Dentil Moulding	68
Light Rail Moulding	69
Furniture Base Moulding	69
Filler/Fluted Filler	70
Overlay Wall Filler	70
Dishwasher Return Panel	71
Refrigerator End Panel	71
Finished Panels	72
Decorative False Doors	73

VANITIES

Vanity Sink Base Cabinets	74
Vanity Sink Base Combo Cabinets	75-77
Vanity Drawer Base Cabinets	77
Vanity Linen Cabinets	78
Medicine Cabinets	79-80



Premium Quality Cabinets

- Solid hardwood face and door frames.
 - CAW, YAW, YS, SWH, SE, ST, MCHO, MT, MAW, YRS, CHW are MDF Door Center Panel.
- Cabinet boxes are 1/2" plywood construction including sides, tops and bottoms for lasting durability and strength.
- Cabinet boxes and shelves are UV coated. Exteriors are painted / stained to match door color.
- Interiors are a light, natural color.
- 3/4" Shelves - Plywood. (Only the Madison lines are particle board).
- 3Soft close under mount drawer glides are standard on all AVA Cabinetry except MCHO, MT and MAW.
- Soft close door hinges are standard on all AVA Cabinetry except MCHO, MT and MAW.
- All cabinet styles are full overlay.
- Butt-style doors eliminate the center stile between the doors and allow for easier use of the cabinet.
- Stainless steel baskets are standard in all lazy susan cabinets.
- All single doors are reversible (right or left swing).

CABINET DOORS

CHARLESTON ANTIQUE WHITE



Wood Species: Birch
Door Style: Full Overlay, Raised Panel with Glazing (Engineered Center Panel)
Box Construction: 1/2" Solid Plywood
Drawer Glide: Full Extension, Soft Close Under-Mount
Drawer Head: 5-Piece, Engineered Center Panel (Matches Door)
Drawer Construction: 5/8" Solid Wood, Dovetail Construction
Hinge: Soft Close Adjustable
Cabinet Interior: Natural UV Coated
Cabinet Exterior: Matching Door Finish
Assembly Method: Dovetail
Delivery: 1-14 Business Days
Location: Adrian, MI

CHARLESTON SADDLE



Wood Species: North American Maple
Door Style: Solid Wood Full Overlay, Raised Panel with Glazing
Box Construction: 1/2" Solid Plywood
Drawer Glide: Full Extension, Soft Close Under-Mount
Drawer Head: Solid Wood, 5-Piece (Matches Door)
Drawer Construction: 5/8" Solid Wood, Dovetail Construction
Hinge: Soft Close Adjustable
Cabinet Interior: Natural UV Coated
Cabinet Exterior: Matching Door Finish
Assembly Method: Dovetail
Delivery: 1-14 Business Days
Location: Adrian, MI

CHARLESTON CHERRY



Wood Species: Birch
Door Style: Solid Wood Full Overlay, Raised Panel with Glazing
Box Construction: 1/2" Solid Plywood
Drawer Glide: Full Extension, Soft Close Under-Mount
Drawer Head: Solid Wood, 5-Piece (Matches Door)
Drawer Construction: 5/8" Solid Wood, Dovetail Construction
Hinge: Soft Close Adjustable
Cabinet Interior: Natural UV Coated
Cabinet Exterior: Matching Door Finish
Assembly Method: Dovetail
Delivery: 1-14 Business Days
Location: Adrian, MI

CABINET DOORS

CHARLESTON TOFFEE



Wood Species: North American Maple
Door Style: Solid Wood Full Overlay, Raised Panel with Glazing
Box Construction: 1/2" Solid Plywood
Drawer Glide: Full Extension, Soft Close Under-Mount
Drawer Head: Solid Wood, 5-Piece (Matches Door)
Drawer Construction: 5/8" Solid Wood, Dovetail Construction
Hinge: Soft Close Adjustable
Cabinet Interior: Natural UV Coated
Cabinet Exterior: Matching Door Finish
Assembly Method: Dovetail
Delivery: 1-14 Business Days
Location: Adrian, MI

Wood Species: Birch
Door Style: Full Overlay, Recessed Panel with Glazing (Engineered Center Panel)
Box Construction: 1/2" Solid Plywood
Drawer Glide: Full Extension, Soft Close Under-Mount
Drawer Head: 5-Piece, Engineered Center Panel (Matches Door)
Drawer Construction: 5/8" Solid Wood, Dovetail Construction
Hinge: Soft Close Adjustable
Cabinet Interior: Natural UV Coated
Cabinet Exterior: Matching Door Finish
Assembly Method: Dovetail
Delivery: 1-14 Business Days
Location: Adrian, MI

YORK ANTIQUE WHITE



YORK SADDLE



Wood Species: North American Maple
Door Style: Full Overlay, Recessed Panel with Glazing (Engineered Center Panel)
Box Construction: 1/2" Solid Plywood
Drawer Glide: Full Extension, Soft Close Under-Mount
Drawer Head: 5-Piece, Engineered Center Panel (Matches Door)
Drawer Construction: 5/8" Solid Wood, Dovetail Construction
Hinge: Soft Close Adjustable
Cabinet Interior: Natural UV Coated
Cabinet Exterior: Matching Door Finish
Assembly Method: Dovetail
Delivery: 1-14 Business Days
Location: Adrian, MI

CABINET DOORS

SHAKER WHITE



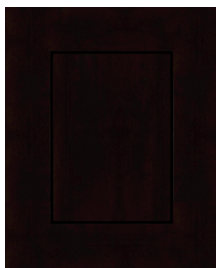
Wood Species: Birch
Door Style: Full Overlay, Recessed Panel (Engineered Center Panel)
Box Construction: 1/2" Solid Plywood
Drawer Glide: Full Extension, Soft Close Under-Mount
Drawer Head: 5-Piece, Engineered Center Panel (Matches Door)
Drawer Construction: 5/8" Solid Wood, Dovetail Construction
Hinge: Soft Close Adjustable
Cabinet Interior: Natural UV Coated
Cabinet Exterior: Matching Door Finish
Assembly Method: Dovetail
Delivery: 1-14 Business Days
Location: Adrian, MI

Wood Species: North American Maple
Door Style: Full Overlay, Recessed Panel (Engineered Center Panel)
Box Construction: 1/2" Solid Plywood
Drawer Glide: Full Extension, Soft Close Under-Mount
Drawer Head: 5-Piece, Engineered Center Panel (Matches Door)
Drawer Construction: 5/8" Solid Wood, Dovetail Construction
Hinge: Soft Close Adjustable
Cabinet Interior: Natural UV Coated
Cabinet Exterior: Matching Door Finish
Assembly Method: Dovetail
Delivery: 1-14 Business Days
Location: Atlanta, GA

SHAKER CINNAMON



SHAKER ESPRESSO



Wood Species: Birch
Door Style: Full Overlay, Recessed Panel (Engineered Center Panel)
Box Construction: 1/2" Solid Plywood
Drawer Glide: Full Extension, Soft Close Under-Mount
Drawer Head: 5-Piece, Engineered Center Panel (Matches Door)
Drawer Construction: 5/8" Solid Wood, Dovetail Construction
Hinge: Soft Close Adjustable
Cabinet Interior: Natural UV Coated
Cabinet Exterior: Matching Door Finish
Assembly Method: Dovetail
Delivery: 1-14 Business Days
Location: Adrian, MI

CABINET DOORS

MADISON ANTIQUE WHITE



Wood Species: Birch
Door Style: Full Overlay, Raised Panel with Glazing (Engineered Center Panel)
Box Construction: 1/2" Solid Plywood
Drawer Glide: Side-Mount Epoxy/Upgradeable to Soft Close (\$30 per Drawer)
Drawer Head: 5-Piece, Engineered Center Panel (Matches Door)
Drawer Construction: 5/8" Solid Wood, Dovetail Construction
Hinge: 6-way Adjustable, Concealed Cup Hinge/Upgradeable to Soft Close (\$5 per Door)
Cabinet Interior: Natural UV Coated
Cabinet Exterior: Matching Door Finish
Assembly Method: Metal Clip
Delivery: 1-14 Business Days
Location: Adrian, MI

Wood Species: Birch
Door Style: Full Overlay, Raised Panel with Glazing (Engineered Center Panel)
Box Construction: 1/2" Solid Plywood
Drawer Glide: Side-Mount Epoxy/Upgradeable to Soft Close (\$30 per Drawer)
Drawer Head: 5-Piece, Engineered Center Panel (Matches Door)
Drawer Construction: 5/8" Solid Wood, Dovetail Construction
Hinge: 6-way Adjustable, Concealed Cup Hinge/Upgradeable to Soft Close (\$5 per Door)
Cabinet Interior: Natural UV Coated
Cabinet Exterior: Matching Door Finish
Assembly Method: Metal Clip
Delivery: 1-14 Business Days
Location: Adrian, MI and Atlanta, GA

MADISON TOFFEE



MADISON CHOCOLATE



Wood Species: Birch
Door Style: Full Overlay, Raised Panel with Glazing (Engineered Center Panel)
Box Construction: 1/2" Solid Plywood
Drawer Glide: Side-Mount Epoxy/Upgradeable to Soft Close (\$30 per Drawer)
Drawer Head: 5-Piece, Engineered Center Panel (Matches Door)
Drawer Construction: 5/8" Solid Wood, Dovetail Construction
Hinge: 6-way Adjustable, Concealed Cup Hinge/Upgradeable to Soft Close (\$5 per Door)
Cabinet Interior: Natural UV Coated
Cabinet Exterior: Matching Door Finish
Assembly Method: Metal Clip
Delivery: 1-14 Business Days
Location: Adrian, MI and Atlanta, GA

CABINET DOORS

BRISTOL CHOCOLATE



Wood Species: Birch
Door Style: Solid Wood Full Overlay, Raised Panel with Glazing
Box Construction: 1/2" Solid Plywood
Drawer Glide: Full Extension, Soft Close Under-Mount
Drawer Head: Solid Wood, 5-Piece (Matches Door)
Drawer Construction: 5/8" Solid Wood, Dovetail Construction
Hinge: Soft Close Adjustable
Cabinet Interior: Natural UV Coated
Cabinet Exterior: Matching Door Finish
Assembly Method: Dovetail
Delivery: 1-14 Business Days
Location: Atlanta, GA

BRISTOL ANTIQUE WHITE



Wood Species: Birch
Door Style: Full Overlay, Raised Panel with Glazing (Engineered Center Panel)
Box Construction: 1/2" Solid Plywood
Drawer Glide: Full Extension, Soft Close Under-Mount
Drawer Head: 5-Piece, Engineered Center Panel (Matches Door)
Drawer Construction: 5/8" Solid Wood, Dovetail Construction
Hinge: Soft Close Adjustable
Cabinet Interior: Natural UV Coated
Cabinet Exterior: Matching Door Finish
Assembly Method: Dovetail
Delivery: 1-14 Business Days
Location: Atlanta, GA

YORK CHOCOLATE



Wood Species: Birch
Door Style: Full Overlay, Recessed Panel with Glaze (Engineered Center Panel)
Box Construction: 1/2" Solid Plywood
Drawer Glide: Full Extension, Soft Close Under-Mount
Drawer Head: 5-Piece, Engineered Center Panel (Matches Door)
Drawer Construction: 5/8" Solid Wood, Dovetail Construction
Hinge: Soft Close Adjustable
Cabinet Interior: Natural UV Coated
Cabinet Exterior: Matching Door Finish
Assembly Method: Dovetail
Delivery: 1-14 Business Days
Location: Atlanta, GA

CHARLESTON SERIES

CHARLESTON ANTIQUE WHITE



Due to printing variations the pictures may vary slightly from true cabinet color.

CHARLESTON SERIES

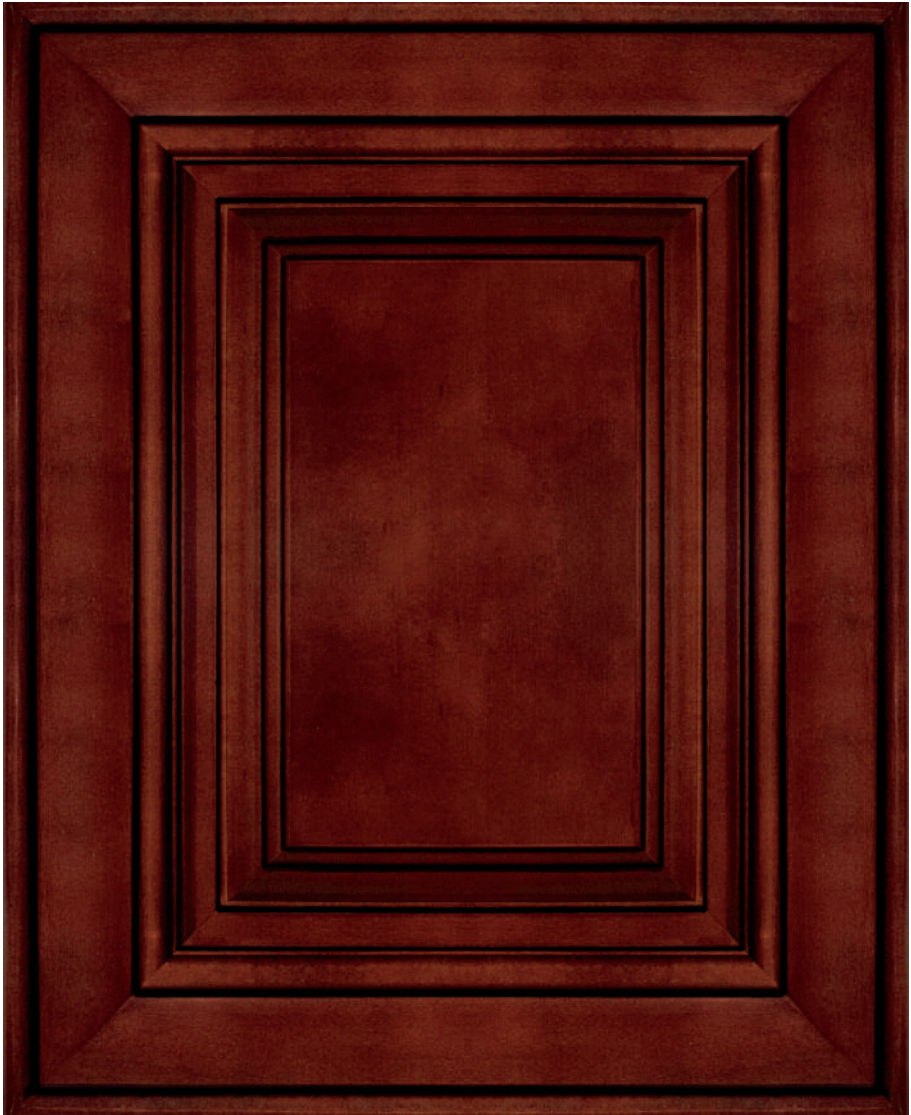
CHARLESTON SADDLE



Due to printing variations the pictures may vary slightly from true cabinet color.

CHARLESTON SERIES

CHARLESTON CHERRY



Due to printing variations the pictures may vary slightly from true cabinet color.

CHARLESTON SERIES

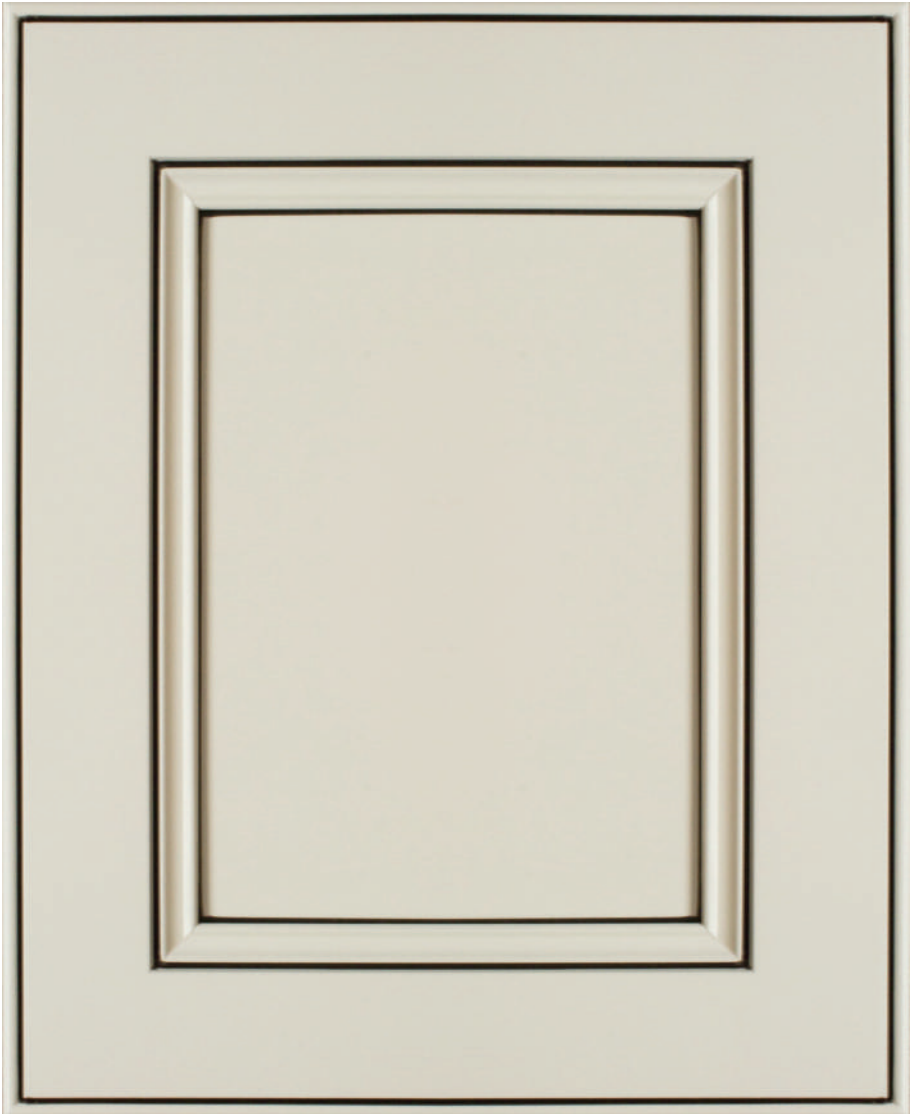
CHARLESTON TOFFEE



Due to printing variations the pictures may vary slightly from true cabinet color.

YORK SERIES

YORK ANTIQUE WHITE



Due to printing variations the pictures may vary slightly from true cabinet color.

YORK SERIES

YORK SADDLE



Due to printing variations the pictures may vary slightly from true cabinet color.

YORK SERIES

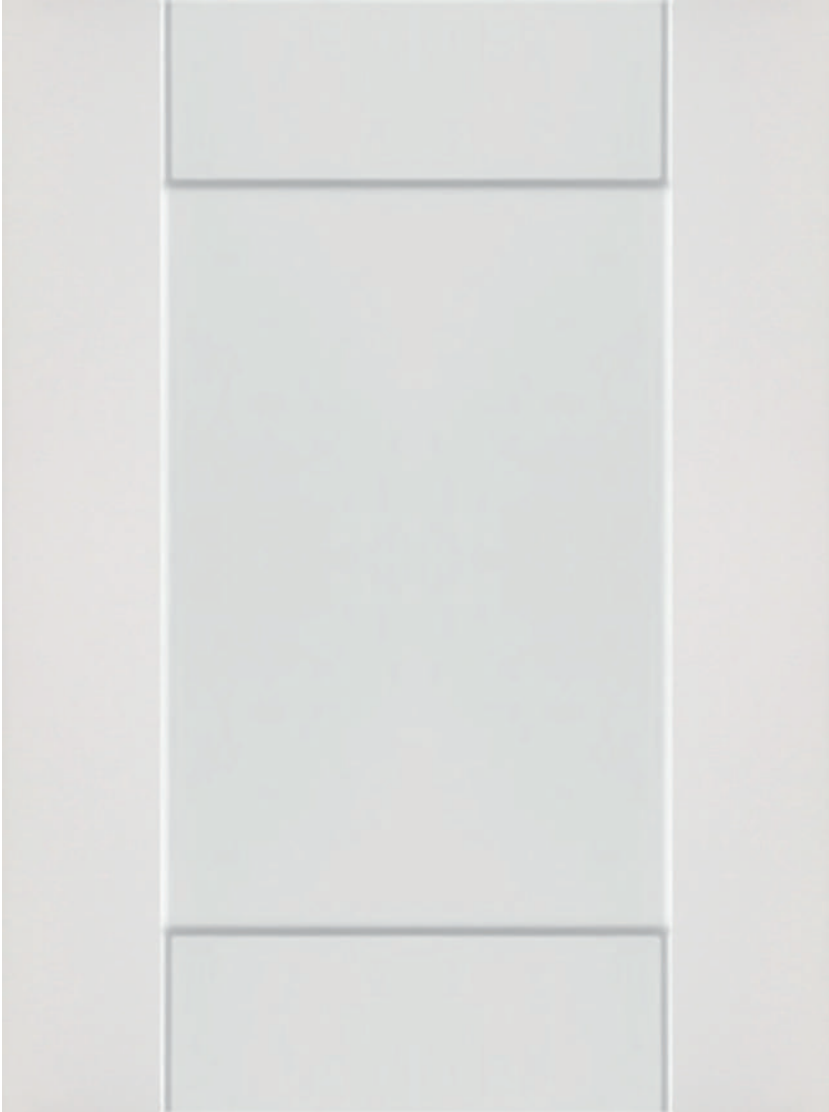
YORK CHOCOLATE



Due to printing variations the pictures may vary slightly from true cabinet color.

SHAKER SERIES

SHAKER WHITE



Due to printing variations the pictures may vary slightly from true cabinet color.

SHAKER SERIES

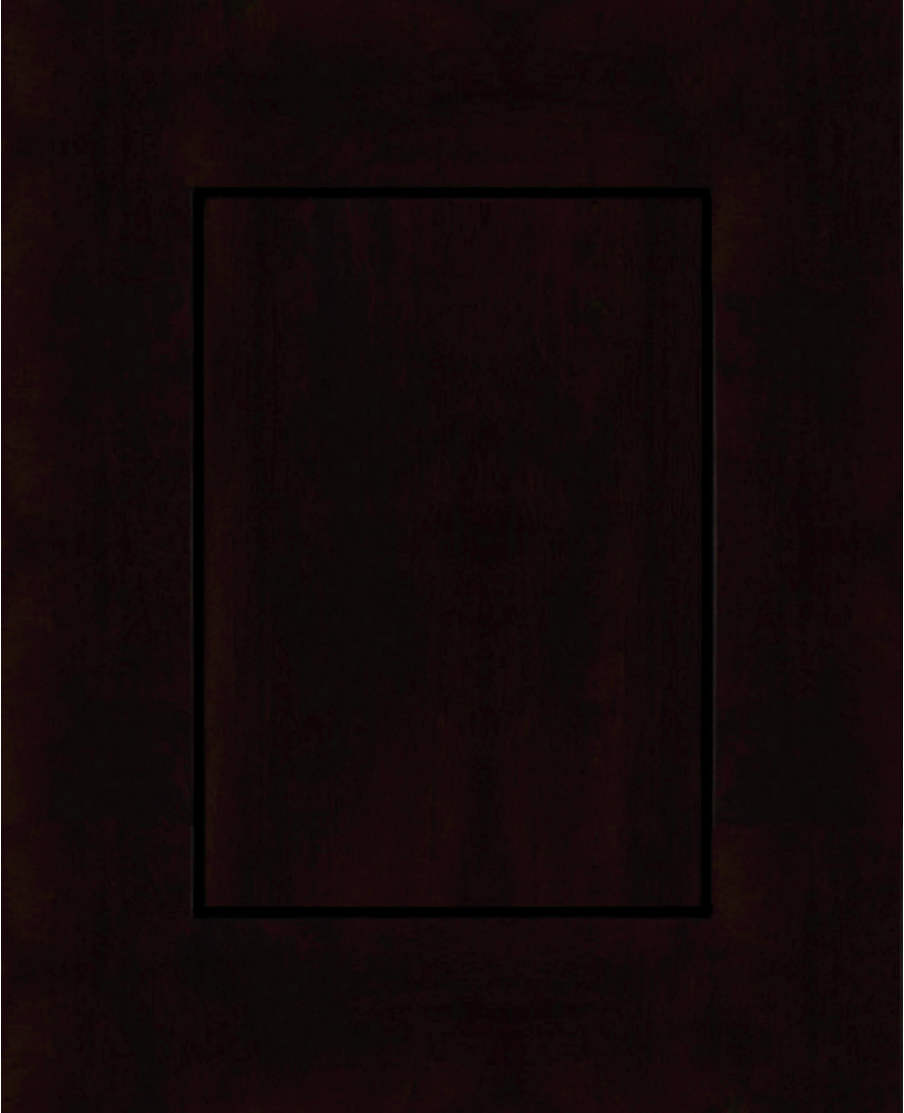
SHAKER WHITE ELITE



Due to printing variations the pictures may vary slightly from true cabinet color.

SHAKER SERIES

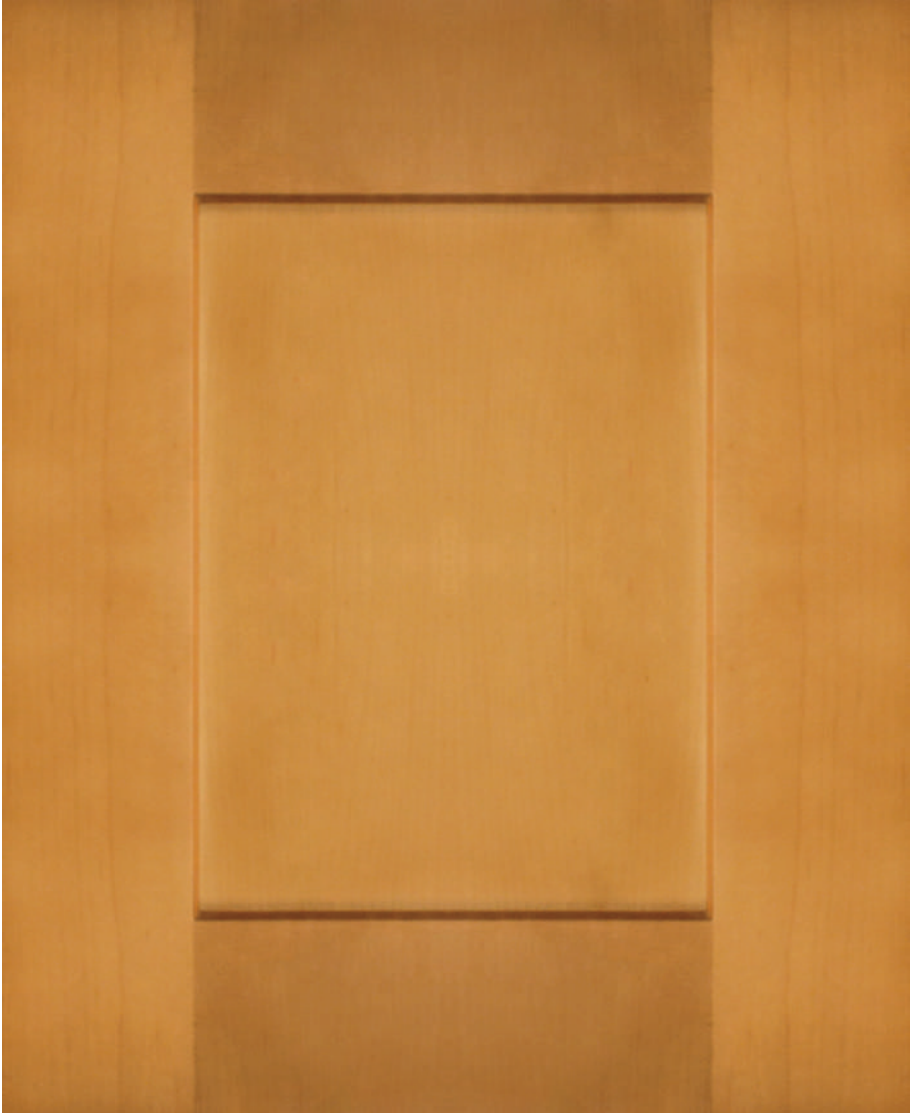
SHAKER ESPRESSO



Due to printing variations the pictures may vary slightly from true cabinet color.

SHAKER SERIES

SHAKER CINNAMON



Due to printing variations the pictures may vary slightly from true cabinet color.

MADISON SERIES

MADISON CHOCOLATE



Due to printing variations the pictures may vary slightly from true cabinet color.

MADISON SERIES

MADISON TOFFEE



Due to printing variations the pictures may vary slightly from true cabinet color.

MADISON SERIES

MADISON ANTIQUE WHITE



Due to printing variations the pictures may vary slightly from true cabinet color.

BRISTOL SERIES

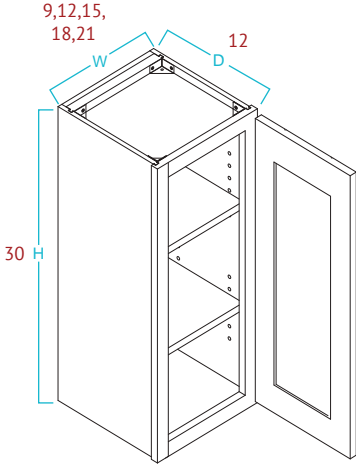
BRISTOL CHOCOLATE



Due to printing variations the pictures may vary slightly from true cabinet color.

CABINET SPECIFICATION WALLS

SINGLE DOOR WALL CABINETS



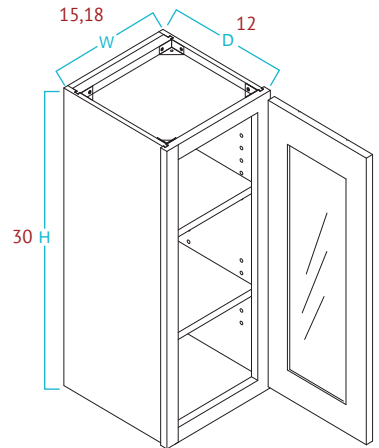
W0930	W1230	W1530	W1830	W2130
-------	-------	-------	-------	-------

SKU	Cabinet Box			Cabinet Doors			QTY
	W	H	D	W	H	D	
W0930	9	30	12	8 1/2	29	7/8	1
W1230	12	30	12	11 1/2	29	7/8	1
W1530	15	30	12	14 1/2	29	7/8	1
W1830	18	30	12	17 1/2	29	7/8	1
W2130	21	30	12	20 1/2	29	7/8	1

- ✓ 30" tall cabinets have two adjustable shelves

WM1530GDFI | WM1830GDFI

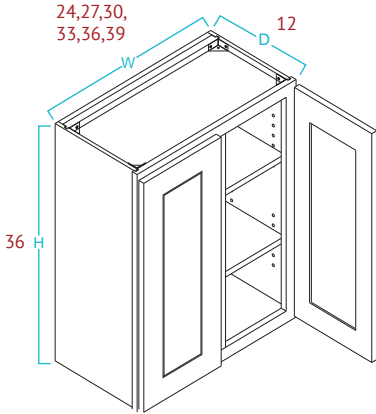
SKU	Cabinet Box			Cabinet Doors			QTY
	W	H	D	W	H	D	
W0930	9	30	12	8 1/2	29	7/8	1
W1230	12	30	12	11 1/2	29	7/8	1
W1530	15	30	12	14 1/2	29	7/8	1
W1830	18	30	12	17 1/2	29	7/8	1
W2130	21	30	12	20 1/2	29	7/8	1



- ✓ Glass included
- ✓ Finished interior
- ✓ 30" tall cabinets have two adjustable shelves
- ✓ *Mullion bars are on Charleston series only (Excluding Charleston Antique White)

CABINET SPECIFICATION WALLS

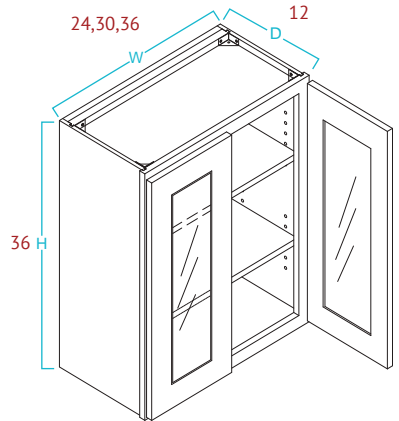
DOUBLE DOOR WALL CABINETS



W2430	W2730	W3030	W3330	W3630
*W3930	*Has center stile			

SKU	Cabinet Box			Cabinet Doors			
	W	H	D	W	H	D	QTY
W2430	24	30	12	11 3/4	29	7/8	2
W2730	27	30	12	13 1/4	29	7/8	2
W3030	30	30	12	14 5/8	29	7/8	2
W3330	33	30	12	16 1/4	29	7/8	2
W3630	36	30	12	17 3/4	29	7/8	2
W3930	39	30	12	19 1/8	29	7/8	2

- ✓ 36" tall cabinets have two adjustable shelves



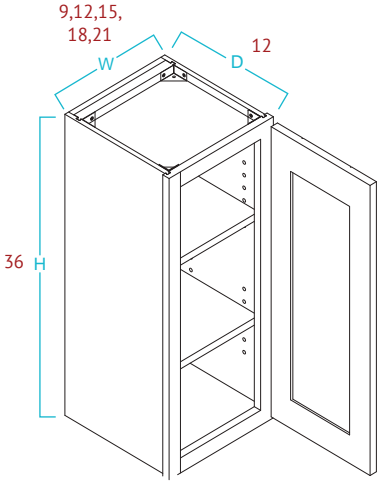
WM2436GDFI	WM3036GDFI	WM3636GDFI
------------	------------	------------

SKU	Cabinet Box			Cabinet Doors			
	W	H	D	W	H	D	QTY
WM2430GDFI	24	30	12	11 3/4	29	7/8	2
WM3030GDFI	30	30	12	14 5/8	29	7/8	2
WM3630GDFI	36	30	12	17 3/4	29	7/8	2

- ✓ Glass included
- ✓ Finished interior
- ✓ 36" tall cabinets have two adjustable shelves
- ✓ *Mullion bars are on Charleston series only (Excluding Charleston Antique White)

CABINET SPECIFICATION WALLS

SINGLE DOOR WALL CABINETS

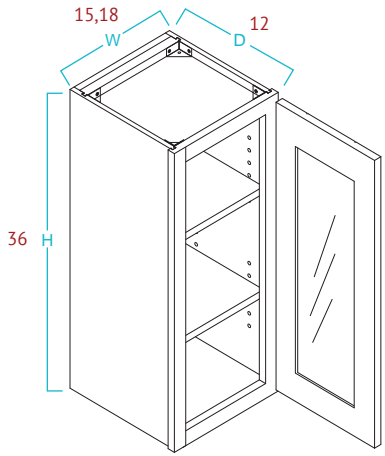


SKU	W	H	D	W	H	D	QTY
W0936	9	36	12	8 1/2	35	7/8	1
W1236	12	36	12	11 1/2	35	7/8	1
W1536	15	36	12	14 1/2	35	7/8	1
W1836	18	36	12	17 1/2	35	7/8	1
W2136	21	36	12	20 1/2	35	7/8	1

✓ 36" tall cabinets have two adjustable shelves

WM1536GDFI | WM1836GDFI

SKU	Cabinet Box			Cabinet Doors			
	W	H	D	W	H	D	QTY
WM1536GDFI	15	36	12	14 1/2	35	7/8	1
WM1836GDFI	18	36	12	17 1/2	35	7/8	1

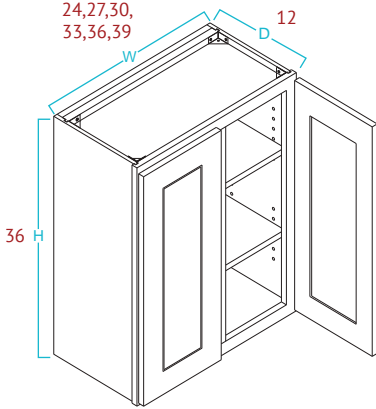


- ✓ Glass included
- ✓ Finished interior

- ✓ 36" tall cabinets have two adjustable shelves
- ✓ *Mullion bars are on Charleston series only (Excluding Charleston Antique White)

CABINET SPECIFICATION WALLS

DOUBLE DOOR WALL CABINETS



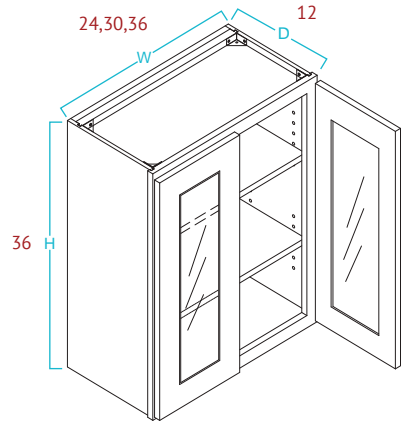
W2436	W2736	W3036	W3336	W3636
*W3936	*Has center stile			

SKU	Cabinet Box			Cabinet Doors			
	W	H	D	W	H	D	QTY
W2436	24	36	12	11 3/4	35	7/8	2
W2736	27	36	12	13 1/4	35	7/8	2
W3036	30	36	12	14 5/8	35	7/8	2
W3336	33	36	12	16 1/4	35	7/8	2
W3636	36	36	12	17 3/4	35	7/8	2
W3936	39	36	12	19 1/8	35	7/8	2

- ✓ 36" tall cabinets have two adjustable shelves

WM2436GDFI	WM3036GDFI	WM3636GDFI
------------	------------	------------

SKU	Cabinet Box			Cabinet Doors			
	W	H	D	W	H	D	QTY
WM2436GDFI	24	36	12	11 3/4	35	7/8	2
WM3036GDFI	30	36	12	14 5/8	35	7/8	2
WM3636GDFI	36	36	12	17 3/4	35	7/8	2

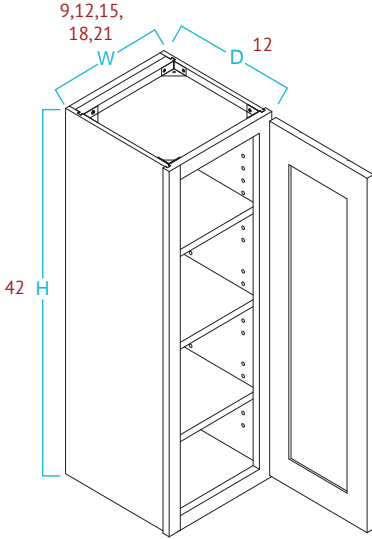


- ✓ Glass included
- ✓ Finished interior

- ✓ 36" tall cabinets have two adjustable shelves
- ✓ *Mullion bars are on Charleston series only (Excluding Charleston Antique White)

CABINET SPECIFICATION WALLS

SINGLE DOOR WALL CABINETS



SKU	Cabinet Box			Cabinet Doors			
	W	H	D	W	H	D	QTY
W0942	9	42	12	8 1/2	41	7/8	1
W1242	12	42	12	11 1/2	41	7/8	1
W1542	15	42	12	14 1/2	41	7/8	1
W1842	18	42	12	17 1/2	41	7/8	1
W2142	21	42	12	20 1/2	41	7/8	1

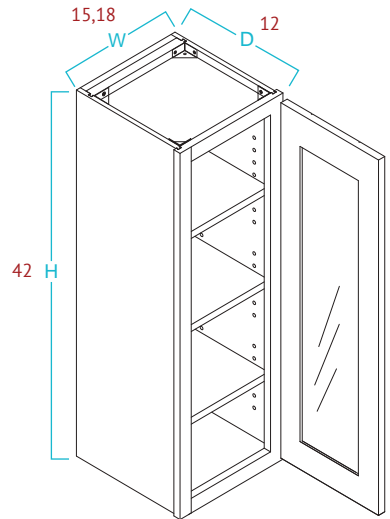
- ✓ 42" tall cabinets have two adjustable shelves

WM1542GDFI | WM1842GDFI

SKU	Cabinet Box			Cabinet Doors			
	W	H	D	W	H	D	QTY
WM1542GDFI	15	42	12	14 1/2	41	7/8	1
WM1842GDFI	18	42	12	17 1/2	41	7/8	1

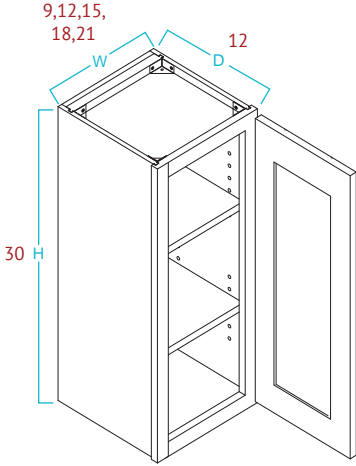
- ✓ Glass included
- ✓ Finished interior

- ✓ 42" tall cabinets have two adjustable shelves
- ✓ *Mullion bars are on Charleston series only (Excluding Charleston Antique White)



CABINET SPECIFICATION WALLS

SINGLE DOOR WALL CABINETS



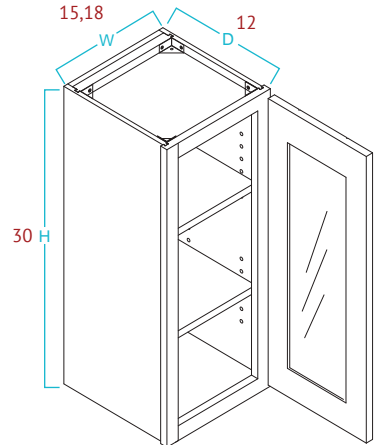
W0930	W1230	W1530	W1830	W2130
-------	-------	-------	-------	-------

SKU	Cabinet Box			Cabinet Doors			QTY
	W	H	D	W	H	D	
W0930	9	30	12	8 1/2	29	7/8	1
W1230	12	30	12	11 1/2	29	7/8	1
W1530	15	30	12	14 1/2	29	7/8	1
W1830	18	30	12	17 1/2	29	7/8	1
W2130	21	30	12	20 1/2	29	7/8	1

- ✓ 30" tall cabinets have two adjustable shelves

WM1530GDFI	WM1830GDFI
------------	------------

SKU	Cabinet Box			Cabinet Doors			
	W	H	D	W	H	D	QTY
W0930	9	30	12	8 1/2	29	7/8	1
W1230	12	30	12	11 1/2	29	7/8	1
W1530	15	30	12	14 1/2	29	7/8	1
W1830	18	30	12	17 1/2	29	7/8	1
W2130	21	30	12	20 1/2	29	7/8	1

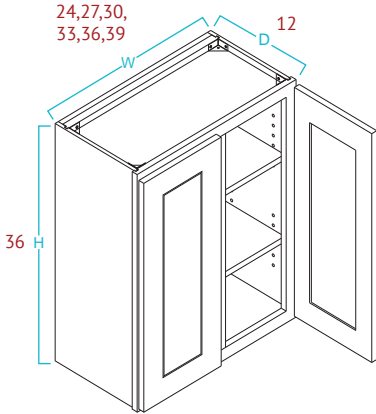


- ✓ Glass included
- ✓ Finished interior

- ✓ 30" tall cabinets have two adjustable shelves
- ✓ *Mullion bars are on Charleston series only (Excluding Charleston Antique White)

CABINET SPECIFICATION WALLS

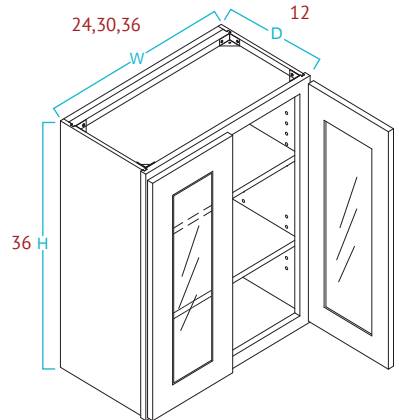
DOUBLE DOOR WALL CABINETS



W2430	W2730	W3030	W3330	W3630
*W3930	*Has center stile			

SKU	Cabinet Box			Cabinet Doors			
	W	H	D	W	H	D	QTY
W2430	24	30	12	11 3/4	29	7/8	2
W2730	27	30	12	13 1/4	29	7/8	2
W3030	30	30	12	14 5/8	29	7/8	2
W3330	33	30	12	16 1/4	29	7/8	2
W3630	36	30	12	17 3/4	29	7/8	2
W3930	39	30	12	19 1/8	29	7/8	2

- ✓ 36" tall cabinets have two adjustable shelves



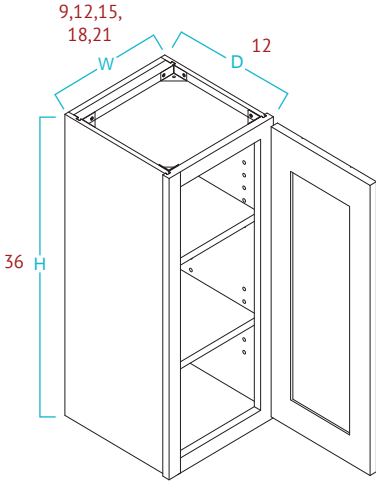
WM2436GDFI	WM3036GDFI	WM3636GDFI
------------	------------	------------

SKU	Cabinet Box			Cabinet Doors			
	W	H	D	W	H	D	QTY
WM2436GDFI	24	30	12	11 3/4	29	7/8	2
WM3036GDFI	30	30	12	14 5/8	29	7/8	2
WM3636GDFI	36	30	12	17 3/4	29	7/8	2

- ✓ Glass included
- ✓ Finished interior
- ✓ 36" tall cabinets have two adjustable shelves
- ✓ *Mullion bars are on Charleston series only (Excluding Charleston Antique White)

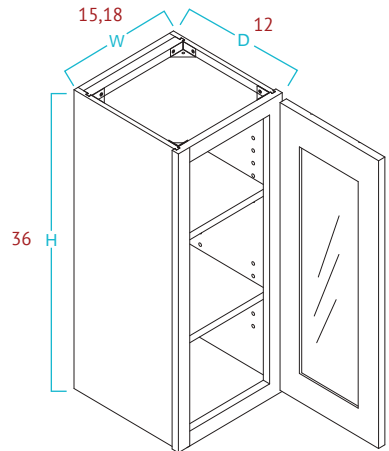
CABINET SPECIFICATION WALLS

SINGLE DOOR WALL CABINETS



SKU	W	H	D	W	H	D	QTY
W0936	9	36	12	8 1/2	35	7/8	1
W1236	12	36	12	11 1/2	35	7/8	1
W1536	15	36	12	14 1/2	35	7/8	1
W1836	18	36	12	17 1/2	35	7/8	1
W2136	21	36	12	20 1/2	35	7/8	1

✓ 36" tall cabinets have two adjustable shelves



WM1536GDFI | WM1836GDFI

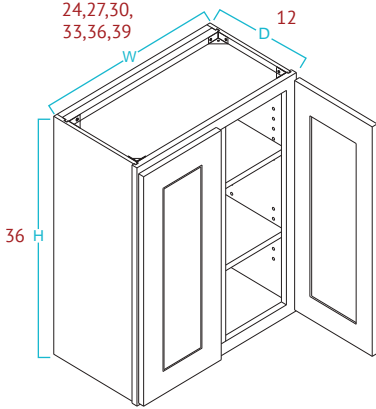
SKU	Cabinet Box			Cabinet Doors			
	W	H	D	W	H	D	QTY
WM1536GDFI	15	36	12	14 1/2	35	7/8	1
WM1836GDFI	18	36	12	17 1/2	35	7/8	1

- ✓ Glass included
- ✓ Finished interior

- ✓ 36" tall cabinets have two adjustable shelves
- ✓ *Mullion bars are on Charleston series only (Excluding Charleston Antique White)

CABINET SPECIFICATION WALLS

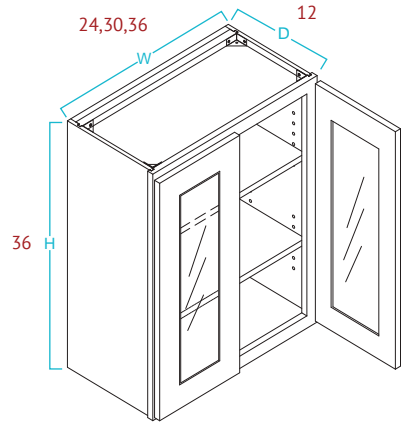
DOUBLE DOOR WALL CABINETS



W2436	W2736	W3036	W3336	W3636
*W3936	*Has center stile			

SKU	Cabinet Box			Cabinet Doors			
	W	H	D	W	H	D	QTY
W2436	24	36	12	11 3/4	35	7/8	2
W2736	27	36	12	13 1/4	35	7/8	2
W3036	30	36	12	14 5/8	35	7/8	2
W3336	33	36	12	16 1/4	35	7/8	2
W3636	36	36	12	17 3/4	35	7/8	2
W3936	39	36	12	19 1/8	35	7/8	2

- ✓ 36" tall cabinets have two adjustable shelves



WM2436GDFI	WM3036GDFI	WM3636GDFI
------------	------------	------------

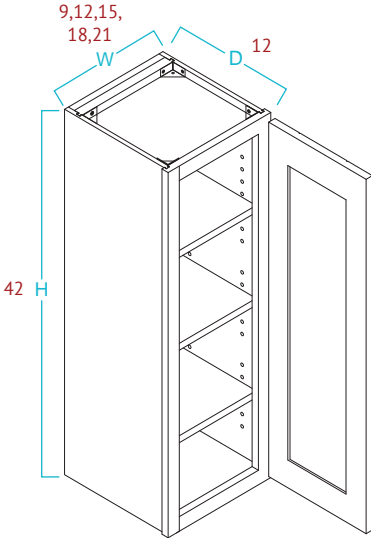
SKU	Cabinet Box			Cabinet Doors			
	W	H	D	W	H	D	QTY
WM2436GDFI	24	36	12	11 3/4	35	7/8	2
WM3036GDFI	30	36	12	14 5/8	35	7/8	2
WM3636GDFI	36	36	12	17 3/4	35	7/8	2

- ✓ Glass included
- ✓ Finished interior

- ✓ 36" tall cabinets have two adjustable shelves
- ✓ *Mullion bars are on Charleston series only (Excluding Charleston Antique White)

CABINET SPECIFICATION WALLS

SINGLE DOOR WALL CABINETS



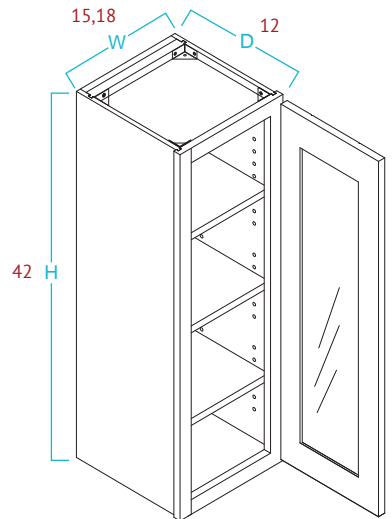
W0942	W1242	W1542	W1842	W2142
-------	-------	-------	-------	-------

SKU	Cabinet Box			Cabinet Doors			
	W	H	D	W	H	D	QTY
W0942	9	42	12	8 1/2	41	7/8	1
W1242	12	42	12	11 1/2	41	7/8	1
W1542	15	42	12	14 1/2	41	7/8	1
W1842	18	42	12	17 1/2	41	7/8	1
W2142	21	42	12	20 1/2	41	7/8	1

- ✓ 42" tall cabinets have two adjustable shelves

WM1542GDFI	WM1842GDFI
------------	------------

SKU	Cabinet Box			Cabinet Doors			
	W	H	D	W	H	D	QTY
WM1542GDFI	15	42	12	14 1/2	41	7/8	1
WM1842GDFI	18	42	12	17 1/2	41	7/8	1

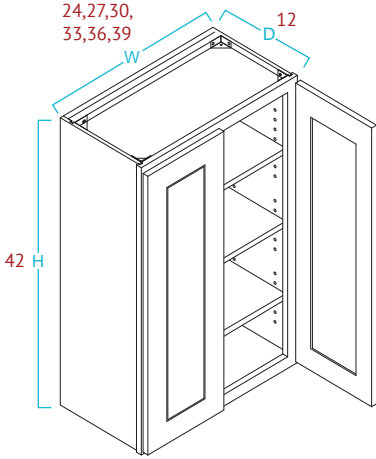


- ✓ Glass included
- ✓ Finished interior

- ✓ 42" tall cabinets have two adjustable shelves
- ✓ *Mullion bars are on Charleston series only (Excluding Charleston Antique White)

CABINET SPECIFICATION WALLS

DOUBLE DOOR WALL CABINETS



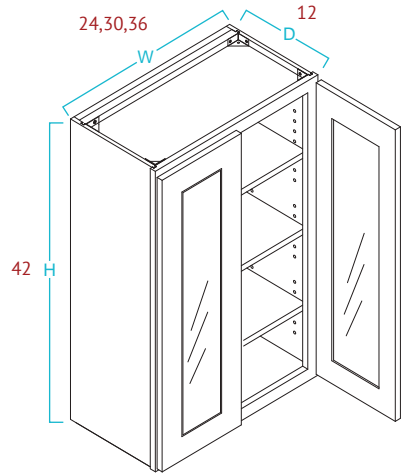
W2442	W2742	W3042	W3342	W3642
*W3942	*Has center stile			

SKU	Cabinet Box			Cabinet Doors			
	W	H	D	W	H	D	QTY
W2442	24	42	12	11 3/4	41	7/8	2
W2742	27	42	12	13 1/4	41	7/8	2
W3042	30	42	12	14 5/8	41	7/8	2
W3342	33	42	12	16 1/4	41	7/8	2
W3642	36	42	12	17 3/4	41	7/8	2
W3942	39	42	12	19 1/8	41	7/8	2

- ✓ 42" tall cabinets have two adjustable shelves

WM2442GDFI	WM3042GDFI	WM3642GDFI
------------	------------	------------

SKU	Cabinet Box			Cabinet Doors			
	W	H	D	W	H	D	QTY
WM2442GDFI	24	42	12	11 3/4	41	7/8	2
WM3042GDFI	30	42	12	14 5/8	41	7/8	2
WM3642GDFI	36	42	12	17 3/4	41	7/8	2

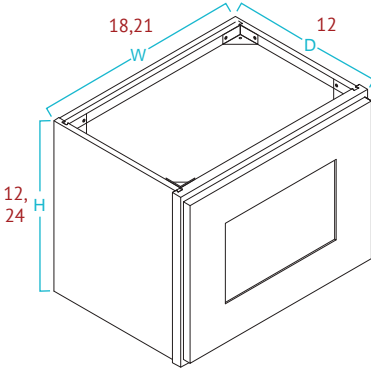


- ✓ Glass included
- ✓ Finished interior

- ✓ 42" tall cabinets have two adjustable shelves
- ✓ *Mullion bars are on Charleston series only (Excluding Charleston Antique White)

CABINET SPECIFICATION WALLS

BRIDGE WALL CABINETS



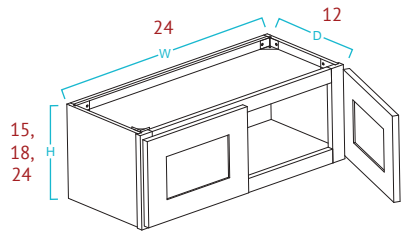
W1812 W2112 W2124

SKU	Cabinet Box			Cabinet Doors			
	W	H	D	W	H	D	QTY
W1812	18	12	12	17 1/2	11	7/8	1
W2112	21	12	12	20 1/2	11	7/8	1
W2124	21	24	12	20 1/2	23	7/8	1

✓ 24" tall cabinets have one shelf

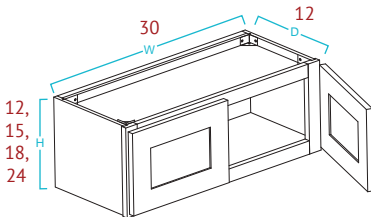
W2415 W2418 W2424

SKU	Cabinet Box			Cabinet Doors			
	W	H	D	W	H	D	QTY
WM2442GDFI	24	42	12	11 3/4	41	7/8	2
WM3042GDFI	30	42	12	14 5/8	41	7/8	2
WM3642GDFI	36	42	12	17 3/4	41	7/8	2



✓ 24" tall cabinets have one shelf

W3012 W3015 W3018 W3024

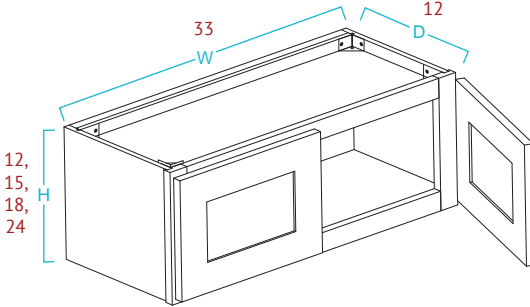


SKU	Cabinet Box			Cabinet Doors			
	W	H	D	W	H	D	QTY
W3012	30	12	12	14 5/8	11	7/8	2
W3015	30	15	12	14 5/8	14	7/8	2
W3018	30	18	12	14 5/8	17	7/8	2
W3024	30	24	12	14 5/8	23	7/8	2

✓ 24" tall cabinets have one shelf

CABINET SPECIFICATION WALLS

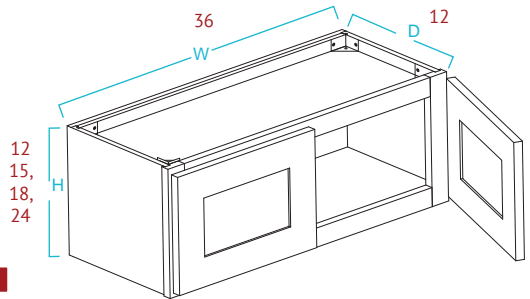
BRIDGE WALL CABINETS



W3312 W3315 W3318 W3324

SKU	Cabinet Box			Cabinet Doors			
	W	H	D	W	H	D	QTY
W3312	33	12	12	16 1/4	11	7/8	2
W3315	33	15	12	16 1/4	14	7/8	2
W3318	33	18	12	16 1/4	17	7/8	2
W3324	33	24	12	16 1/4	23	7/8	2

✓ 24" tall cabinets have one shelf



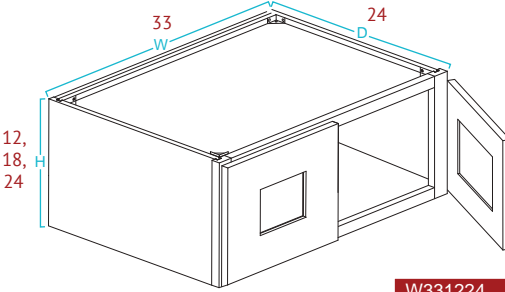
W3612 W3615 W3618 W3624

SKU	Cabinet Box			Cabinet Doors			
	W	H	D	W	H	D	QTY
W3612	36	12	12	17 3/4	11	7/8	2
W3615	36	15	12	17 3/4	14	7/8	2
W3618	36	18	12	17 3/4	17	7/8	2
W3624	36	24	12	17 3/4	23	7/8	2

✓ 24" tall cabinets have one shelf

CABINET SPECIFICATION WALLS

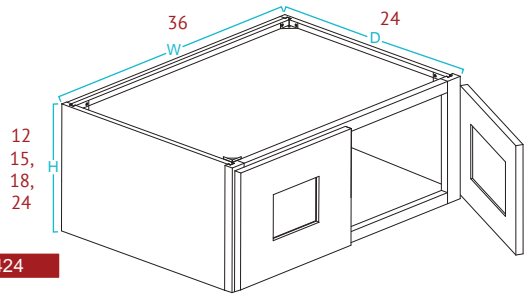
REFRIGERATOR WALL CABINETS



W331224 | W331824 | W332424

SKU	Cabinet Box			Cabinet Doors			
	W	H	D	W	H	D	QTY
W331224	33	12	24	16 1/4	11	7/8	2
W331824	33	18	24	16 1/4	17	7/8	2
W332424	33	24	24	16 1/4	23	7/8	2

✓ 24" tall cabinets have one shelf



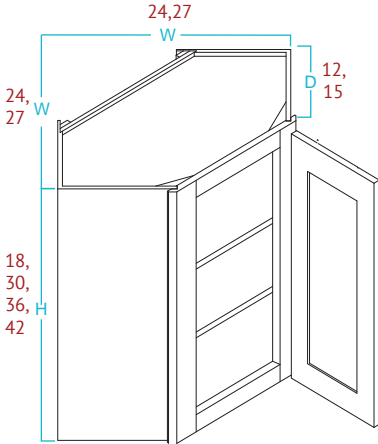
W361224 | W361524 | W361824 | W362424

SKU	Cabinet Box			Cabinet Doors			
	W	H	D	W	H	D	QTY
W361224	36	12	24	17 3/4	11	7/8	2
W361524	36	15	24	17 3/4	14	7/8	2
W361824	36	18	24	17 3/4	17	7/8	2
W362424	36	24	24	17 3/4	23	7/8	2

✓ 24" tall cabinets have one shelf

CABINET SPECIFICATION WALLS

DIAGONAL CORNER WALL CABINETS



WDC2418	WDC2430	WDC2436	WDC2442
WDC274215			

SKU	Cabinet Box			Cabinet Doors			
	W	H	D	W	H	D	QTY
WDC2418	24	18	12	15	17	7/8	1
WDC2430	24	30	12	15	29	7/8	1
WDC2436	24	36	12	15	35	7/8	1
WDC2442	24	42	12	15	41	7/8	1
WDC274215	27	42	12	15	41	7/8	1

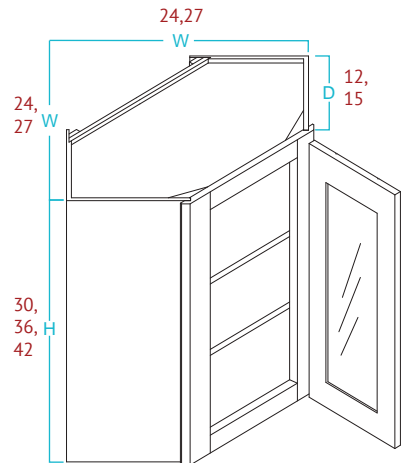
- ✓ 30" & 36" tall cabinets have two adjustable shelves
- ✓ 42" tall cabinets have three adjustable shelves

WMDC2430GDFI	WMDC2436GDFI	WMDC2442GDFI
WMDC274215GDFI		

SKU	Cabinet Box			Cabinet Doors			
	W	H	D	W	H	D	QTY
WMDC2430GDFI	24	30	12	15	29	7/8	1
WMDC2436GDFI	24	36	12	15	35	7/8	1
WMDC2442GDFI	24	42	12	15	41	7/8	1
WMDC274215GDFI	27	42	15	15	41	7/8	1

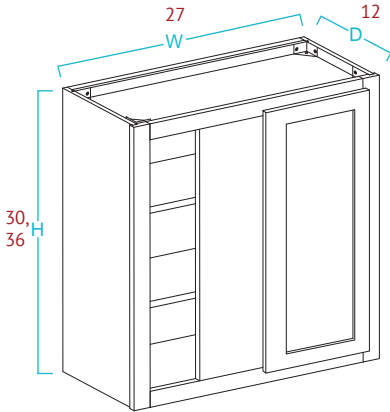
- ✓ Glass included
- ✓ Finished interior

- ✓ 30" & 36" tall cabinets have two adjustable shelves
- ✓ 42" tall cabinets have three adjustable shelves
- ✓ *Mullion bars are on Charleston series only (Excluding Charleston Antique White)



CABINET SPECIFICATION WALLS

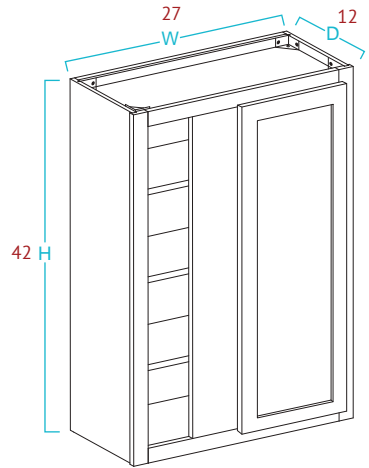
BLIND CORNER WALL CABINETS



BLW2730 | BLW2736

SKU	Cabinet Box			Cabinet Doors			
	W	H	D	W	H	D	QTY
WDC2418	27	30	12	11 1/2	29	7/8	1
WDC2430	27	36	12	11 1/2	35	7/8	1

- ✓ 30" & 36" tall cabinets have two adjustable shelves
- ✓ Can be pulled 3"
- ✓ Can be Left or Right



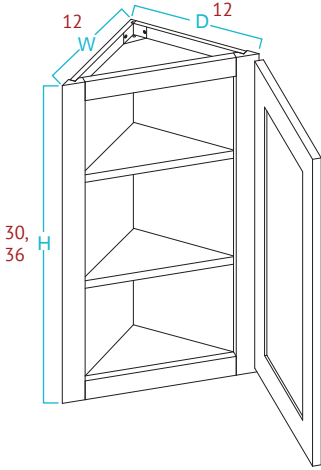
BLW2742

SKU	Cabinet Box			Cabinet Doors			
	W	H	D	W	H	D	QTY
BLW2742	27	42	12	11 1/2	41	7/8	1

- ✓ 42" tall cabinets have three adjustable shelves
- ✓ Can be pulled 3"
- ✓ Can be Left or Right

CABINET SPECIFICATION WALLS

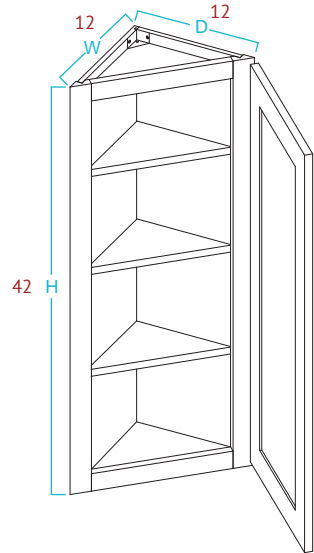
ANGLE WALL CABINETS



AW1230 | AW1236

SKU	Cabinet Box			Cabinet Doors			
	W	H	D	W	H	D	QTY
AW1230	12	30	12	15 1/4	29	7/8	1
AW1236	12	36	12	15 1/4	35	7/8	1

✓ 30" & 36" tall cabinets have two adjustable shelves



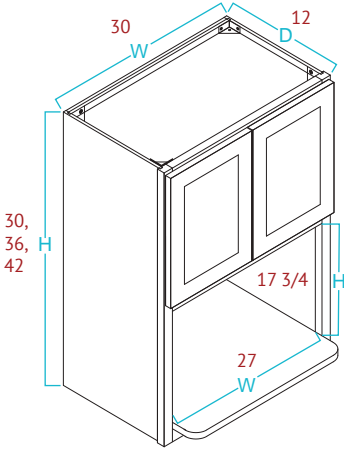
AW1242

SKU	Cabinet Box			Cabinet Doors			
	W	H	D	W	H	D	QTY
AW1242	12	42	12	15 1/4	41	7/8	1

✓ 42" tall cabinets have three adjustable shelves

CABINET SPECIFICATION WALLS

MICROWAVE OVEN CABINETS



MO3030 MO3036 MO3042

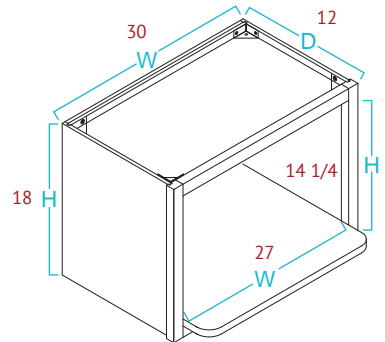
SKU	Cabinet Box			Cabinet Doors			
	W	H	D	W	H	D	QTY
MO3030	30	30	12	14 5/8	8	7/8	2
MO3036	30	36	12	14 5/8	14	7/8	2
MO3042	30	42	12	14 5/8	20	7/8	2

- ✓ Opening dimensions 27" W x 17 3/4" H
- ✓ Shelf is 18" Deep

MICROWAVE OVEN CABINETS

MS3018

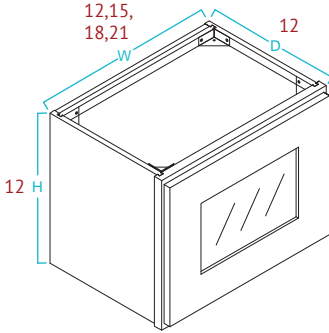
SKU	Cabinet Box		
	W	H	D
AW1242	30	18	12



- ✓ Shelf is 18" Deep

CABINET SPECIFICATION WALLS

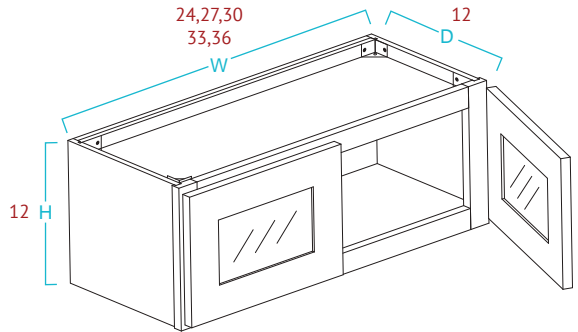
DECORATIVE WALL CABINETS/STACKERS



1212BGFI	1512BGFI	1812BGFI	2112BGFI
----------	----------	----------	----------

SKU	Cabinet Box			Cabinet Doors			
	W	H	D	W	H	D	QTY
1212BGFI	12	12	12	11 1/2	11	7/8	1
1512BGFI	15	12	12	14 1/2	11	7/8	1
1812BGFI	18	12	12	17 1/2	11	7/8	1
2112BGFI	21	12	12	20 1/2	11	7/8	1

✓ Glass included



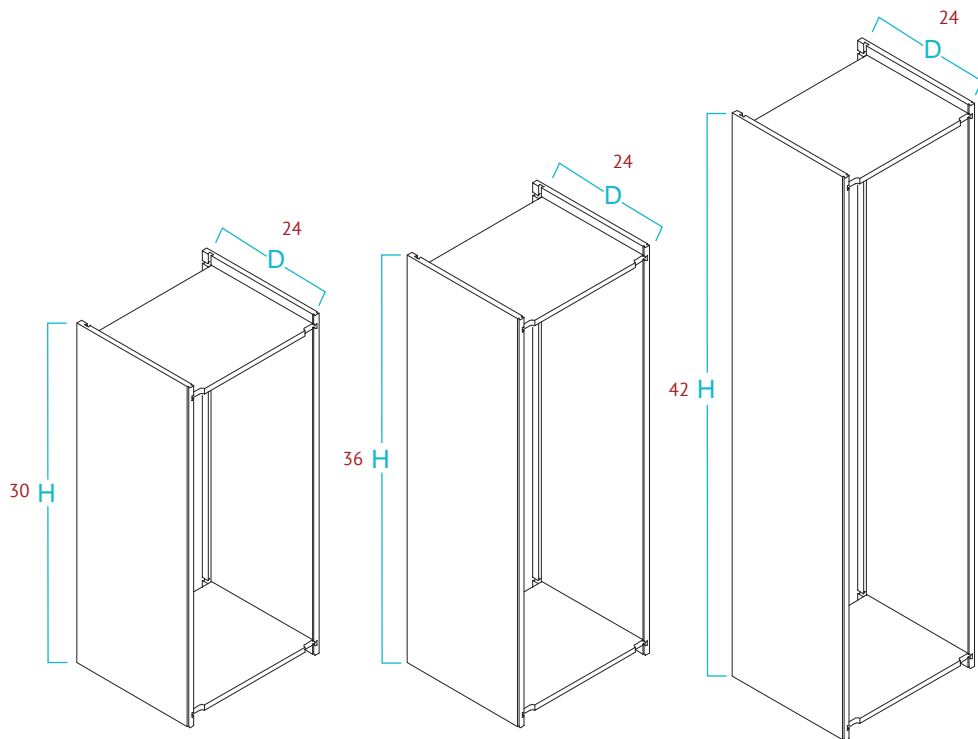
2412BGFI	2712BGFI	3012BGFI	3312BGFI
3612BGFI			

SKU	Cabinet Box			Cabinet Doors			
	W	H	D	W	H	D	QTY
2412BGFI	24	12	12	11 3/4	11	7/8	2
2712BGFI	27	12	12	13 1/4	11	7/8	2
3012BGFI	30	12	12	14 1/4	11	7/8	2
3312BGFI	33	12	12	16 5/8	11	7/8	2
3612BGFI	36	12	12	17 3/4	11	7/8	2

✓ Glass included

CABINET SPECIFICATION WALLS

WALL MODIFICATION KIT



WKIT30

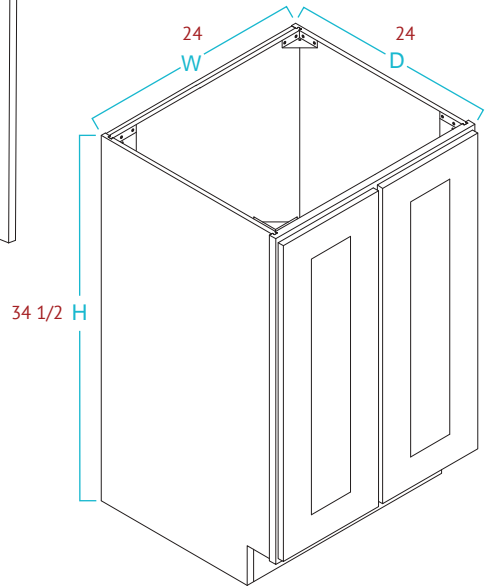
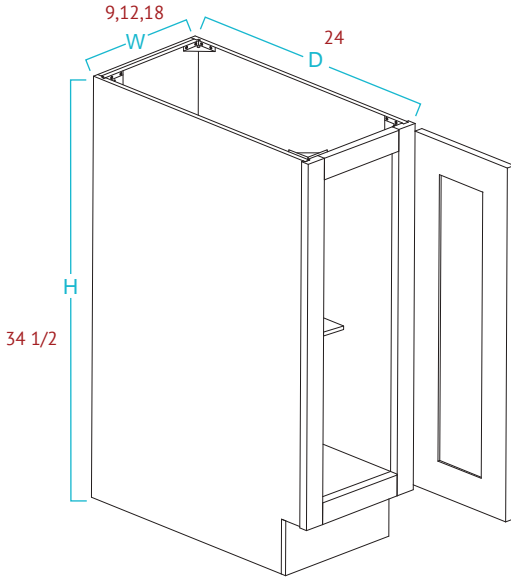
WKIT36

WKIT42

- ✓ Used to increase all standard wall cabinet depths
- ✓ Must be modified by LAC Cabinets

CABINET SPECIFICATION BASE

FULL HEIGHT DOOR BASE CABINETS



B9FHD

B12FHD

B18FHD

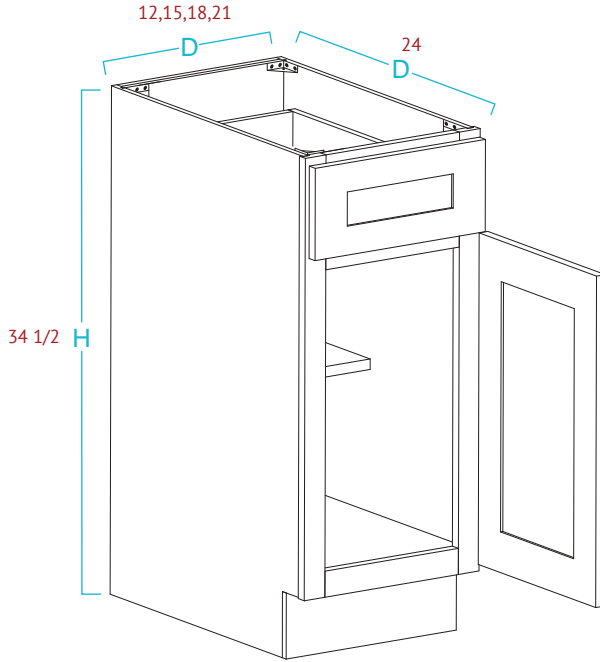
B24FHD

SKU	Cabinet Box			Cabinet Doors			QTY
	W	H	D	W	H	D	
B9FHD	24	12	24	8 1/2	29 1/4	7/8	1
B12FHD	27	12	24	11 1/2	29 1/4	7/8	1
B18FHD	30	12	24	17 1/2	29 1/4	7/8	1
B24FHD	33	12	24	11 3/4	29 1/4	7/8	2

✓ 34 1/2" tall cabinets have one adjustable shelf

CABINET SPECIFICATION BASE

SINGLE DOOR/SINGLE DRAWER BASE CABINETS



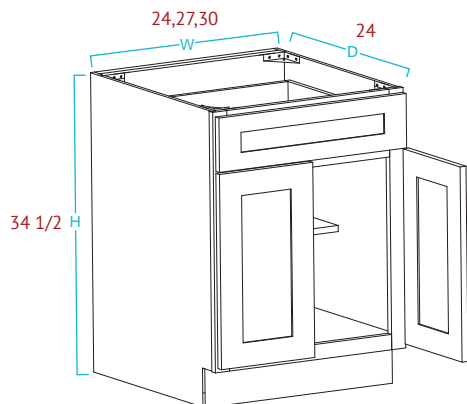
B12 B15 B18 B21

SKU	Cabinet Box			Cabinet Doors				Drawer Head				Drawer Box			
	W	H	D	W	H	D	QTY	W	H	D	QTY	W	H	D	QTY
B12	12	34 1/2	24	11 1/2	22	7/8	1	11 1/2	6 3/4	7/8	1	8 1/2	4	21	1
B15	15	34 1/2	24	14 1/2	22	7/8	1	14 1/2	6 3/4	7/8	1	11 1/2	4	21	1
B18	18	34 1/2	24	17 1/2	22	7/8	1	17 1/2	6 3/4	7/8	1	14 1/2	4	21	1
B21	21	34 1/2	24	20 1/2	22	7/8	1	20 1/2	6 3/4	7/8	1	17 1/2	4	21	1

✓ 34 1/2" tall cabinets have one adjustable shelf

CABINET SPECIFICATION BASE

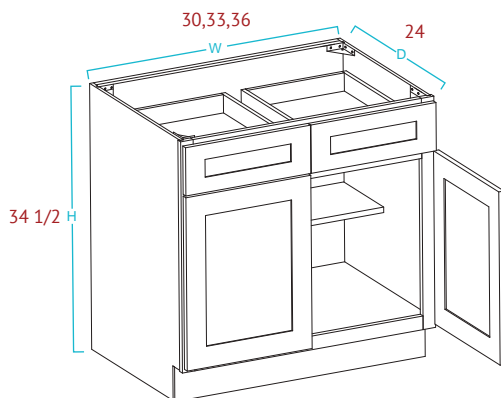
SINGLE DOOR/SINGLE DRAWER BASE CABINETS



✓ 34 1/2" tall cabinets have one adjustable shelf

B24 B27 B30 *(MCHO,MT,MAW)

SKU	Cabinet Box			Cabinet Doors				Drawer Head				Drawer Box			
	W	H	D	W	H	D	QTY	W	H	D	QTY	W	H	D	QTY
B24	24	34 1/2	24	11 3/4	22	7/8	2	23 1/2	6 3/4	7/8	1	20 1/2	4	21	1
B27	27	34 1/2	24	13 1/4	22	7/8	2	26 1/2	6 3/4	7/8	1	23 1/2	4	21	1
B30	30	34 1/2	24	14 5/8	22	7/8	2	29 1/2	6 3/4	7/8	1	26	4	21	1



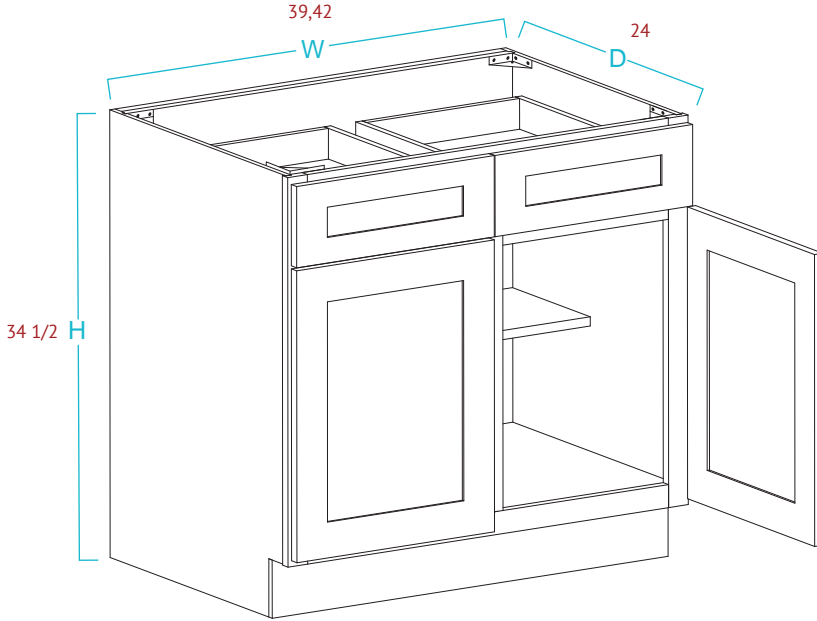
✓ 34 1/2" tall cabinets have one adjustable shelf

B30 B33 B36

SKU	Cabinet Box			Cabinet Doors				Drawer Head				Drawer Box			
	W	H	D	W	H	D	QTY	W	H	D	QTY	W	H	D	QTY
B30	30	34 1/2	24	14 5/8	22	7/8	2	14 5/8	6 3/4	7/8	2	11 5/8	4	21	2
B33	33	34 1/2	24	16 1/4	22	7/8	2	16 1/4	6 3/4	7/8	2	13 1/4	4	21	2
B36	36	34 1/2	24	17 3/4	22	7/8	2	17 3/4	6 3/4	7/8	2	14 3/4	4	21	2

CABINET SPECIFICATION BASE

BASE CABINETS



B3

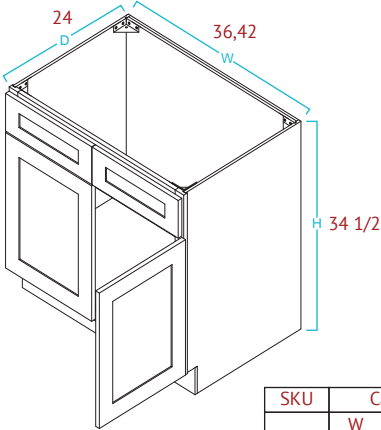
B42

SKU	Cabinet Box			Cabinet Doors				Drawer Head				Drawer Box			
	W	H	D	W	H	D	QTY	W	H	D	QTY	W	H	D	QTY
B39	24	34 1/2	24	19 1/8	22	7/8	2	19 1/8	6 3/4	7/8	2	16	4	21	2
B42	27	34 1/2	24	20 1/2	22	7/8	2	20 1/2	6 3/4	7/8	2	17 1/2	4	21	2

- ✓ 34 1/2" tall cabinets have one adjustable shelf
- ✓ Has center stile

CABINET SPECIFICATION BASE

SINK BASE CABINETS

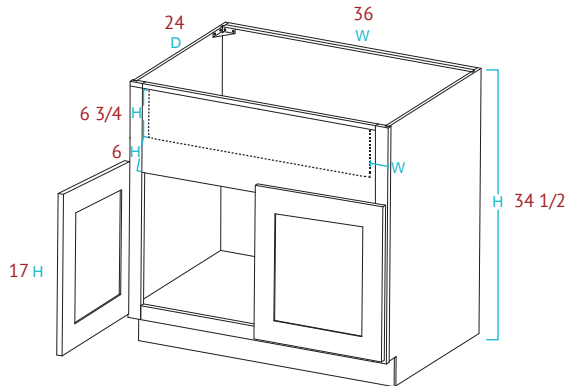


SB36

SB42

SKU	Cabinet Box			Cabinet Doors				Drawer Head			
	W	H	D	W	H	D	QTY	W	H	D	QTY
SB36	36	34 1/2	24	17 3/4	22	7/8	2	17 3/4	6 3/4	7/8	2
SB42	42	34 1/2	24	20 1/2	22	7/8	2	20 1/2	6 3/4	7/8	2

FARM BASE SINK CABINETS



*Coming Soon

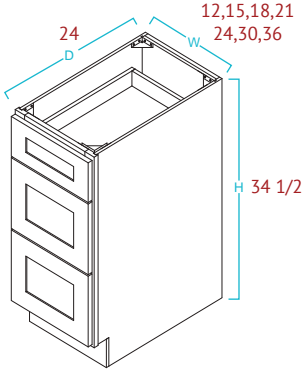
FSB36

SKU	Cabinet Box			Cabinet Doors			
	W	H	D	W	H	D	QTY
FSB36	36	34 1/2	24	17 3/4	17	7/8	2

- ✓ Trimmable to accommodate 30-36" wide and 6-10" tall Farm Sinks
- ✓ Additional bracing may be required

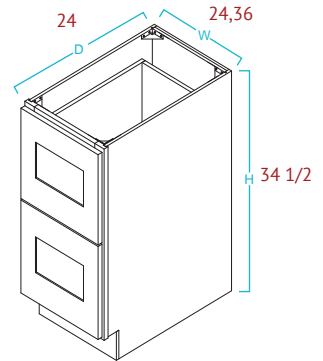
CABINET SPECIFICATION BASE

DRAWER BASE CABINETS



DB12-3 DB15-3 DB18-3 DB21-3 DB24-3 DB30-3 DB36-3

SKU	Cabinet Box			Top Drawer Head				Bottom Drawer Heads				Top Drawer Box				Bottom Drawer Boxes			
	W	H	D	W	H	D	QTY	W	H	D	QTY	W	H	D	QTY	W	H	D	QTY
DB12-3	12	34 1/2	24	11 1/2	6 3/4	7/8	1	11 1/2	10 3/4	7/8	2	8 1/2	4	21	1	8 1/2	7 1/2	21	1
DB15-3	15	34 1/2	24	14 1/2	6 3/4	7/8	1	14 1/2	10 3/4	7/8	2	11 1/2	4	21	1	11 1/2	7 1/2	21	1
DB18-3	18	34 1/2	24	17 1/2	6 3/4	7/8	1	17 1/2	10 3/4	7/8	2	14 1/2	4	21	1	14 1/2	7 1/2	21	1
DB21-3	21	34 1/2	24	20 1/2	6 3/4	7/8	1	20 1/2	10 3/4	7/8	2	17 1/2	4	21	1	17 1/2	7 1/2	21	1
DB24-3	24	34 1/2	24	23 1/2	6 3/4	7/8	1	23 1/2	10 3/4	7/8	2	20 1/2	4	21	1	20 1/2	7 1/2	21	1
DB30-3	30	34 1/2	24	29 1/2	6 3/4	7/8	1	29 1/2	10 3/4	7/8	2	26 1/2	4	21	1	26 1/2	7 1/2	21	1
DB36-3	36	34 1/2	24	35 1/2	6 3/4	7/8	1	35 1/2	10 3/4	7/8	2	32 1/2	4	21	1	32 1/2	7 1/2	21	1

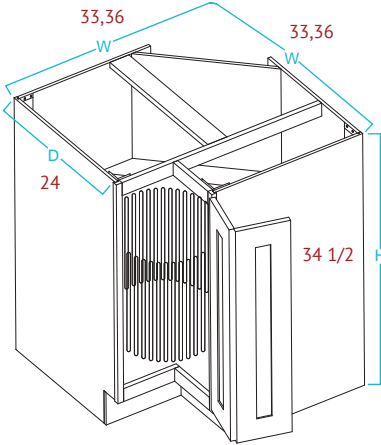


DB24-2 DB36-2

SKU	Cabinet Box			Top Drawer Head				Bottom Drawer Heads				Top Drawer Box				Bottom Drawer Boxes			
	W	H	D	W	H	D	QTY	W	H	D	QTY	W	H	D	QTY	W	H	D	QTY
DB24-2	24	34 1/2	24	23 1/2	14 3/8	7/8	1	23 1/2	14 3/8	7/8	2	20 1/2	11	21	1	20 1/2	11	21	1
DB36-2	36	34 1/2	24	35 1/2	14 3/8	7/8	1	36 1/2	14 3/8	7/8	2	32 1/2	11	21	1	32 1/2	11	21	1

CABINET SPECIFICATION BASE

LAZY SUSAN BASE CABINETS

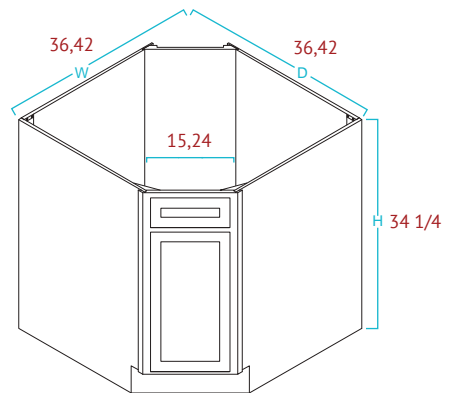


LS33 | LS36

SKU	Cabinet Box			Cabinet Doors			
	W	H	D	W	H	D	QTY
LS33	33	34 1/2	24	7 3/4	29 1/4	7/8	2
LS36	36	34 1/2	24	10 3/4	29 1/4	7/8	2

✓ Comes with stainless steel wire basket carousel

CORNER SINK BASE

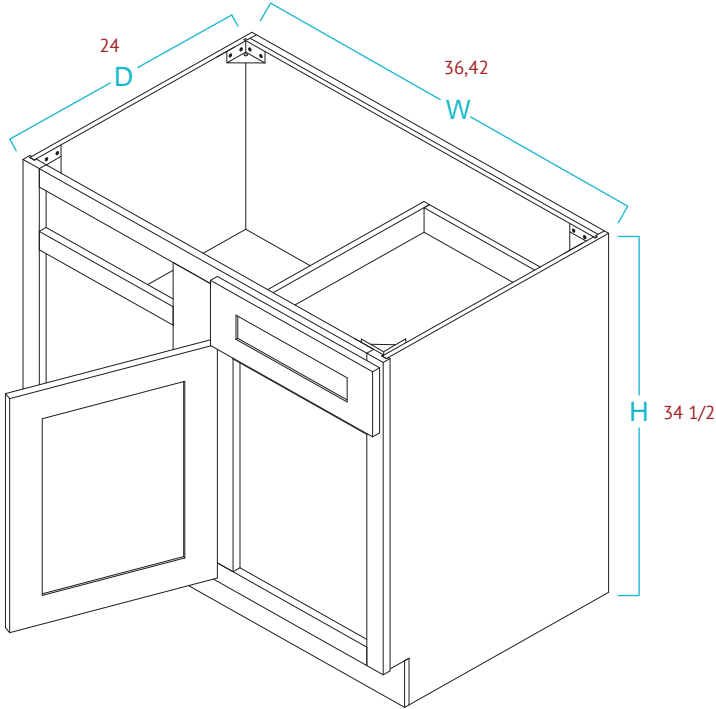


CSB36 | CSB42

SKU	Cabinet Box			Cabinet Doors				Drawer Head			
	W	H	D	W	H	D	QTY	W	H	D	QTY
CSB36	36	34 1/2	36	14 1/2	22	7/8	1	14 1/2	6 3/4	7/8	1
CSB36	42	34 1/2	42	23 1/2	22	7/8	1	23 1/2	6 3/4	7/8	1

CABINET SPECIFICATION BASE

BLIND BASE CORNER CABINETS



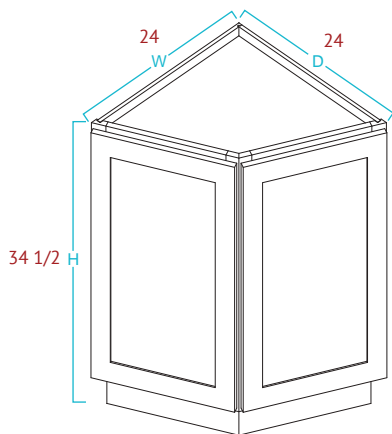
BLB36/39L BLB42/45L BLB36/39R BLB42/45R

SKU	Cabinet Box			Cabinet Doors			Drawer Head			Drawer Box		
	W	H	D	W	H	D	W	H	D	W	H	D
BLB36/39L	36	34 1/2	24	11 1/8	22	7/8	11 1/2	6 3/4	7/8	8 1/2	4	21
BLB42/45L	42	34 1/2	24	17 1/2	27	7/8	17 1/2	6 3/4	7/8	14 1/2	4	21
BLB36/39R	36	34 1/2	24	11 1/8	22	7/8	11 1/2	6 3/4	7/8	8 1/2	4	21
BLB42/45R	42	34 1/2	24	17 1/2	27	7/8	17 1/2	6 3/4	7/8	14 1/2	4	21

- ✓ 34 1/2" tall cabinets have one adjustable shelf
- ✓ L and R refer to blind side
- ✓ L cabinet is shown
- ✓ All blind base cabinets must be pulled 3"
- ✓ Door opening is 9" for BLB36/39 & 15" for BLB42/45

CABINET SPECIFICATION BASE

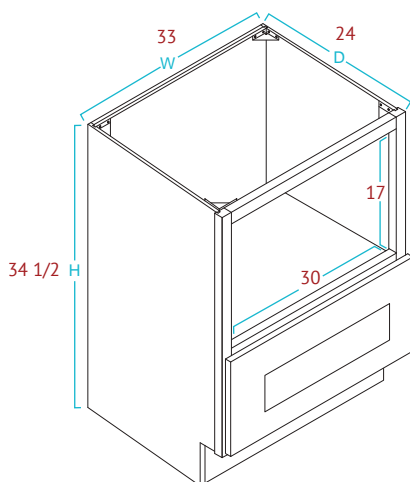
ANGLE BASE CABINETS



AB24

SKU	Cabinet Box			Cabinet Doors			
	W	H	D	W	H	D	QTY
AB24	24	34 1/2	24	17 7/8	29 1/4	7/8	2

MICROWAVE BASE CABINETS



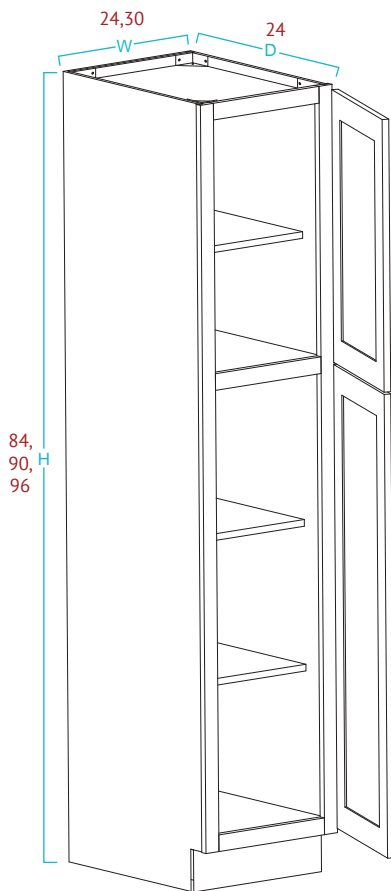
MB33

SKU	Cabinet Box			Cabinet Doors				Drawer Head			
	W	H	D	W	H	D	QTY	W	H	D	QTY
MB33	33	34 1/2	24	32 1/2	10 3/4	7/8	1	29 1/2	7	21	1

✓ Filler can be used to accommodate smaller microwaves

CABINET SPECIFICATION TALL

18" UTILITY CABINETS



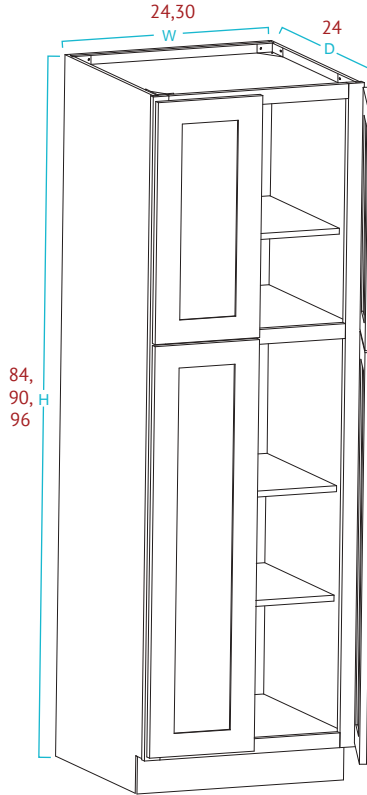
U188424 U189024 U189624

SKU	Cabinet Box			Top Cabinet Doors				Bottom Cabinet Doors			
	W	H	D	W	H	D	QTY	W	H	D	QTY
U188424	18	84	24	17 1/2	29	7/8	1	17 1/2	49 1/4	7/8	1
U189024	18	90	24	17 1/2	35	7/8	1	17 1/2	49 1/4	7/8	1
U189624	18	96	24	17 1/2	41	7/8	1	17 1/2	49 1/4	7/8	1

✓ 84", 90" & 96" tall cabinets have three adjustable shelves

CABINET SPECIFICATION TALL

24"/30" UTILITY CABINETS



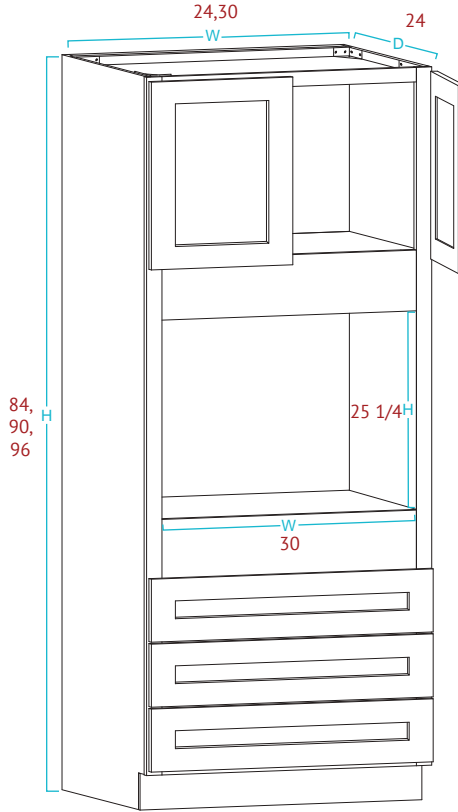
U248424 U249024 U249624 U308424 U309024 U309624

SKU	Cabinet Box			Top Cabinet Doors				Bottom Cabinet Doors			
	W	H	D	W	H	D	QTY	W	H	D	QTY
U248424	24	84	24	11 3/4	29	7/8	2	11 3/4	49 1/4	7/8	2
U249024	24	90	24	11 3/4	35	7/8	2	11 3/4	49 1/4	7/8	2
U249624	24	96	24	11 3/4	41	7/8	2	11 3/4	49 1/4	7/8	2
U308424	30	84	24	14 5/8	29	7/8	2	14 5/8	49 1/4	7/8	2
U309024	30	90	24	14 5/8	35	7/8	2	14 5/8	49 1/4	7/8	2
U309624	30	96	24	14 5/8	41	7/8	2	14 5/8	49 1/4	7/8	2

✓ 84", 90" & 96" tall cabinets have three adjustable shelf

CABINET SPECIFICATION TALL

33" UNIVERSAL OVEN CABINETS



O338424

O339024

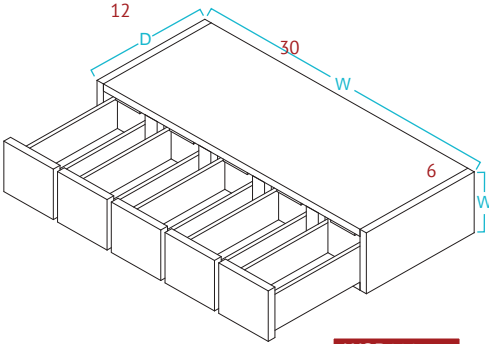
O339624

SKU	Cabinet Box			Cabinet Doors				Drawer Head				Drawer Box			
	W	H	D	W	H	D	QTY	W	H	D	QTY	W	H	D	QTY
O338424	33	84	24	16 1/4	17	7/8	2	32 1/2	8	7/8	3	29 1/2	5 1/8	21	3
O339024	33	90	24	16 1/4	23	7/8	2	32 1/2	8	7/8	3	29 1/2	5 1/8	21	3
O339624	33	96	24	16 1/4	29	7/8	2	32 1/2	8	7/8	3	29 1/2	5 1/8	21	3

- ✓ Opening is 30" W x 25 1/4" H
- ✓ Drawers can be removed to accommodate large ovens
- ✓ Fillers can be used to accommodate smaller ovens

CABINET SPECIFICATION ACCESSORIES

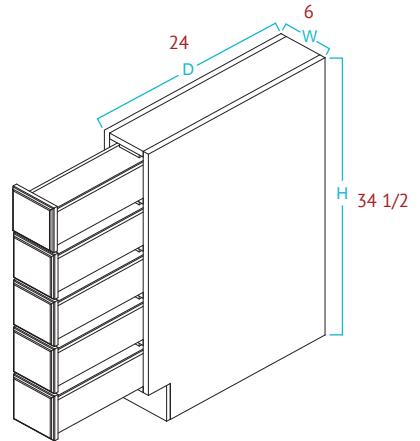
WALL SPICE DRAWER CABINETS



WSD630

SKU	Cabinet Box			Drawer Heads				Drawer Boxes			
	W	H	D	W	H	D	QTY	W	H	D	QTY
WSD630	30	6	12	5 3/4	5 1/2	7/8	5	4 3/4	3 5/8	10	5

BASE SPICE DRAWER CABINETS



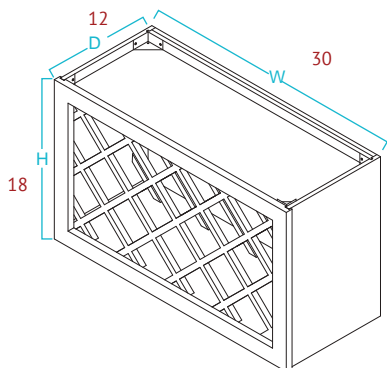
BSDC6

SKU	Cabinet Box			Drawer Heads				Drawer Boxes			
	W	H	D	W	H	D	QTY	W	H	D	QTY
BSDC6	6	34 1/2	24	5 1/2	5 3/4	7/8	5	4 1/4	3 5/8	21	5

✓ Drawers do not have glides for the BSDC6 and WSD630

CABINET SPECIFICATION ACCESSORIES

WINE RACK CABINETS



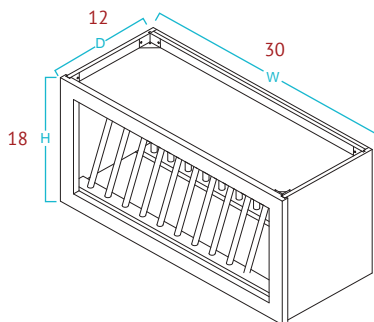
W3018WR

SKU	Cabinet Box		
	W	H	D
W3018WR	30	18	12

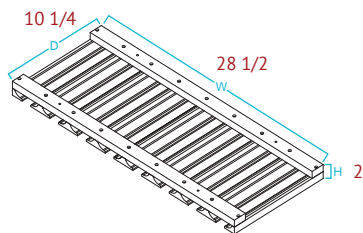
PLATE RACK

W3018PR

SKU	Cabinet Box		
	W	H	D
W3018PR	30	18	12



STEM GLASS HOLDER

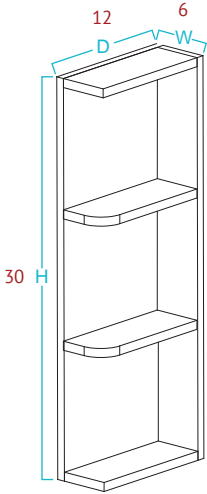


SGH30

SKU	Cabinet Box		
	W	H	D
SGH30	28 1/2	2	10 1/4

CABINET SPECIFICATION ACCESSORIES

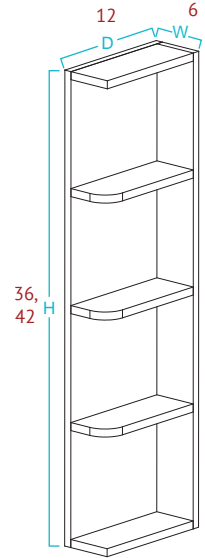
WALL END SHELF



WESR630

SKU	Cabinet Box		
	W	H	D
WESR630	6	30	12

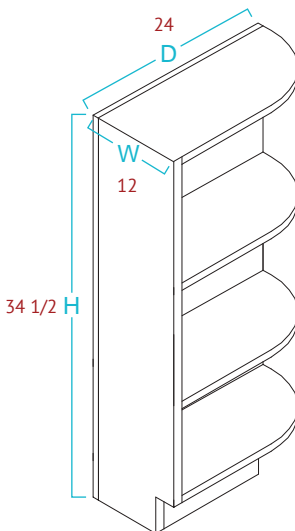
✓ Can Be Left or Right



WESR636 | WESR642

SKU	Cabinet Box		
	W	H	D
WESR636	6	36	12
WESR642	6	42	12

BASE END SHELF



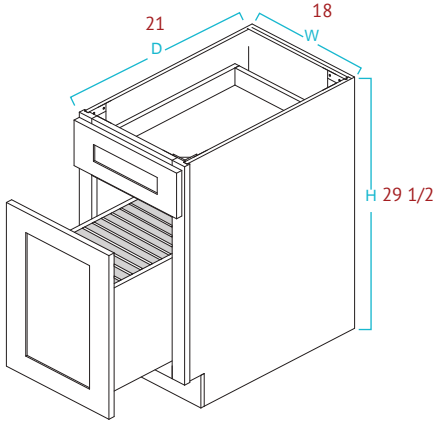
BES24-L | BES24-R

SKU	Cabinet Box		
	W	H	D
BES24L	12	34 1/2	24
BES24R	12	34 1/2	24

✓ BES24-L is shown in picture

CABINET SPECIFICATION ACCESSORIES

DRAWER FILE BASE CABINETS

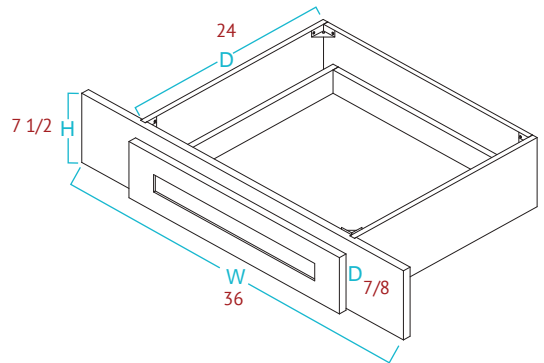


DFB18

- ✓ Cabinet is 29.5" tall
- ✓ Filing cabinet separators not included

SKU	Cabinet Box			Cabinet Doors				Drawer Head				Drawer Box				Drawer Box			
	W	H	D	W	H	D	QTY	W	H	D	QTY	W	H	D	QTY	W	H	D	QTY
DFB18	18	29 1/2	21	17 1/2	6 3/4	7/8	1	17 1/2	17	7/8	1	14 1/2	4	18	1	14 1/2	13 3/4	18	1

DESK DRAWER



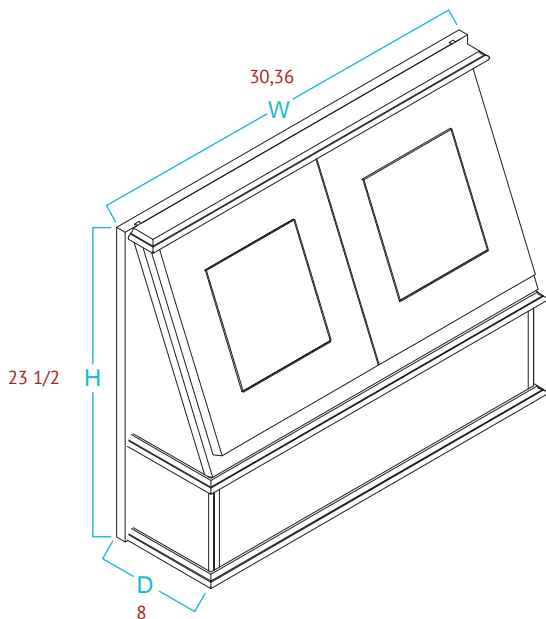
DSK30/36

SKU	Cabinet Box			Drawer Heads				Drawer Boxes			
	W	H	D	W	H	D	QTY	W	H	D	QTY
DSK30/36	36	7 1/2	24	29 1/2	6 3/4	7/8	1	26 1/2	3 1/2	21	1

- ✓ Can be trimmed from 30-36" wide

CABINET SPECIFICATION ACCESSORIES

RANGE HOOD COVER



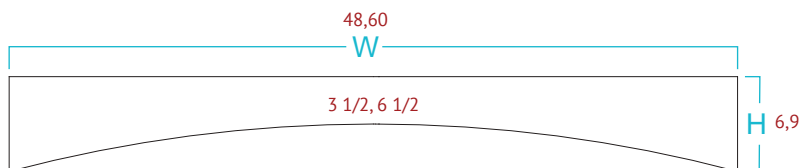
RGH30 | RGH36

SKU	Cabinet Box		
	W	H	D
RGH30	30	23 1/2	8
RGH36	35	23 1/2	8

- ✓ Mounts between two cabinets
- ✓ Must use Convertible Hood Fan with T-Shape Hood Liner

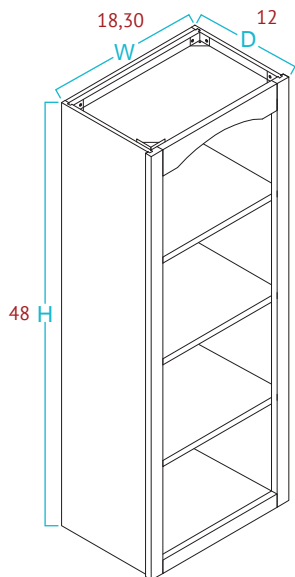
ARCHED VALANCE

VA48 | VA60



CABINET SPECIFICATION ACCESSORIES

BOOK CASE

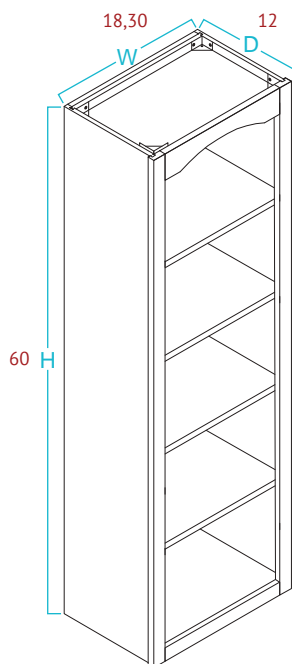


BC1848 | BC3048

SKU	Cabinet Box		
	W	H	D
BC1848	18	48	12
BC3048	30	48	12

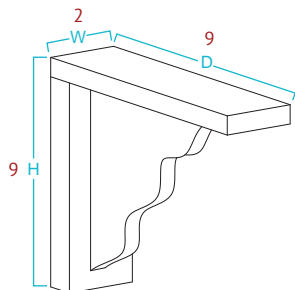
BC1860 | BC3060

SKU	Cabinet Box		
	W	H	D
BC1860	30	18	12
BC3060	30	18	12



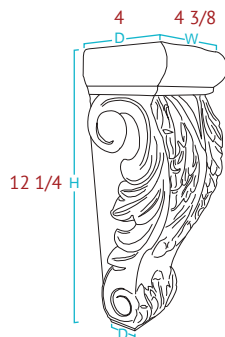
CABINET SPECIFICATION ACCESSORIES

CORBELS



CB9

SKU	W	H	D
CB9	2	2	9



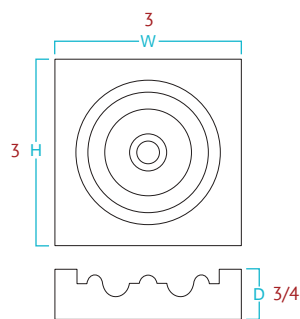
CBT

SKU	W	H	D
CBT	4 3/8	12 1/4	4

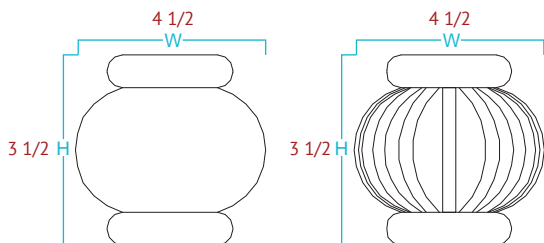
BB3x3

SKU	W	H	D
BB3x3	3	3	3/4

BULLSEYE OVERLAY BLOCKS



BUN FEET

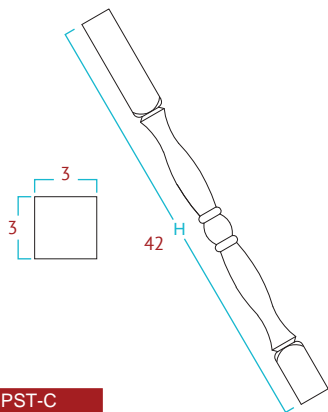


BUN-C BUN-F

SKU	W	H
BUN-C	4 1/2	3 1/2
BUN-F	4 1/2	3 1/2

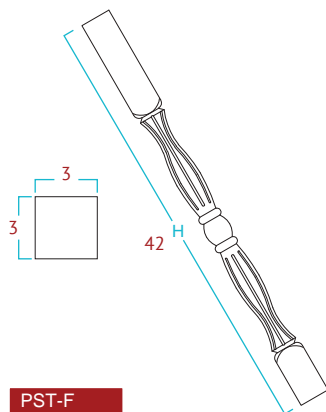
CABINET SPECIFICATION ACCESSORIES

DECORATIVE LEGS



PST-C

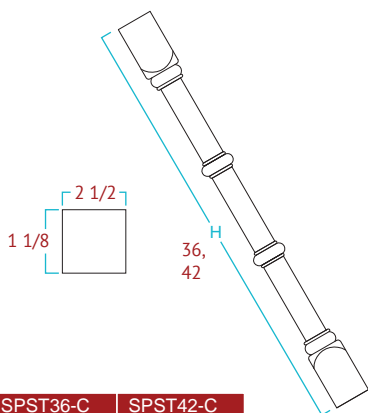
SKU	W	H	D
PST-C	3	42	3



PST-F

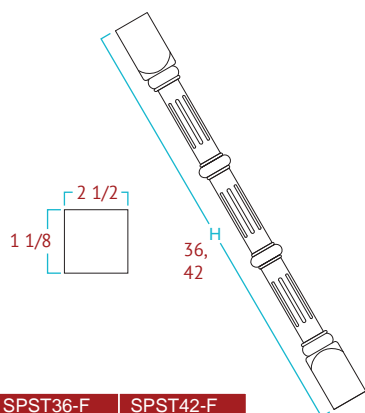
SKU	W	H	D
PST-F	3	42	3

SPLIT POST OVERLAY FILLERS



SPST36-C | SPST42-C

SKU	W	H	D
SPST36-C	2 1/2	36	1 1/8
SPST42-C	2 1/2	42	1 1/8

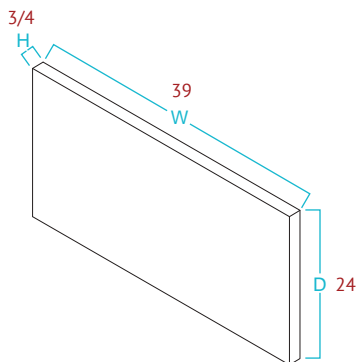


SPST36-F | SPST42-F

SKU	W	H	D
SPST36-F	2 1/2	36	1 1/8
SPST42-F	2 1/2	42	1 1/8

CABINET SPECIFICATION ACCESSORIES

SHELF KIT



SKIT24

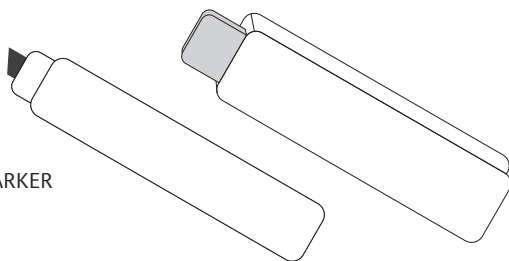
SKU	W	H	D
SKIT	39	3/4	24

- ✓ Comes with: Three natural finished shelves

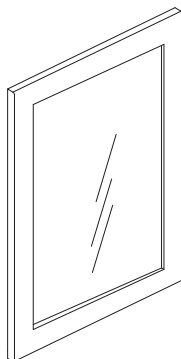
TOUCH UP KIT

TUK

- ✓ Comes with: PUTTY STICK | MARKER



MIRROR FRAME KIT

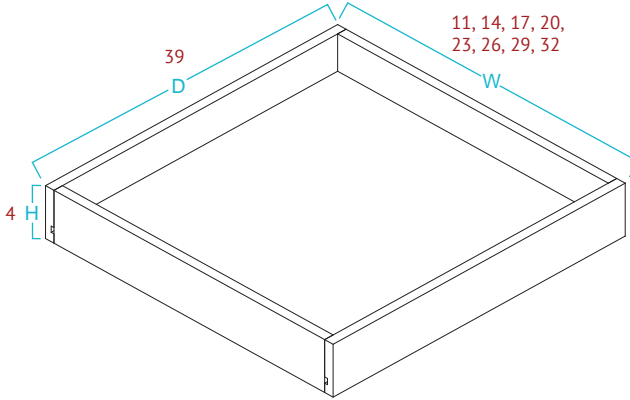


MFK48

- ✓ Comes with 4 pieces of 48" door rail stock
- ✓ Can be cut to any size
- ✓ Mirror not included

CABINET SPECIFICATION ACCESSORIES

ROLL OUT SHELF



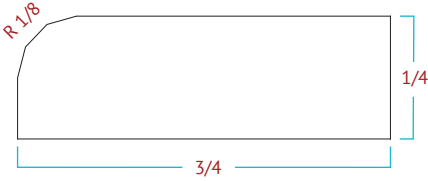
RS15 | RS18 | RS21 | RS24 | RS27 | RS30 | RS33 | RS36

SKU	W	H	D
RS16	11	4	21
RS18	14	4	21
RS21	17	4	21
RS24	20	4	21
RS27	23	4	21
RS30	26	4	21
RS33	29	4	21
RS36	32	4	21

✓ Side Mount Glides Included

—◆ CABINET SPECIFICATION PANELS, FILLERS & TRIMS ◆—

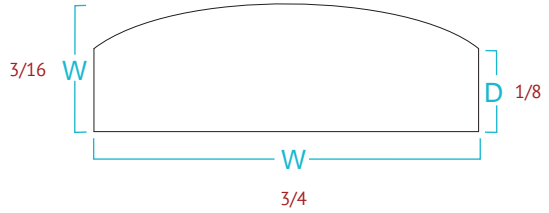
SCRIBE MOLDING



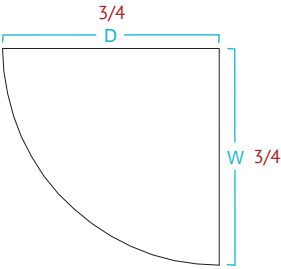
SM8

BATTEN MOLDING

BAM



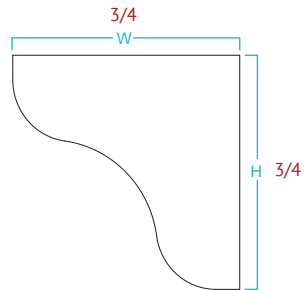
QUARTER ROUND MOLDING



QR8

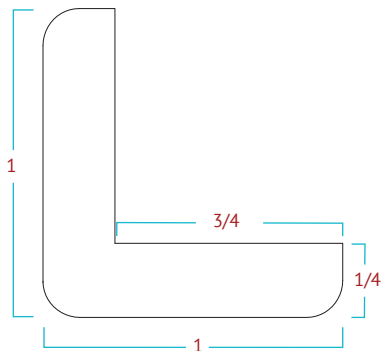
INSIDE CORNER MOLDING

ICM8

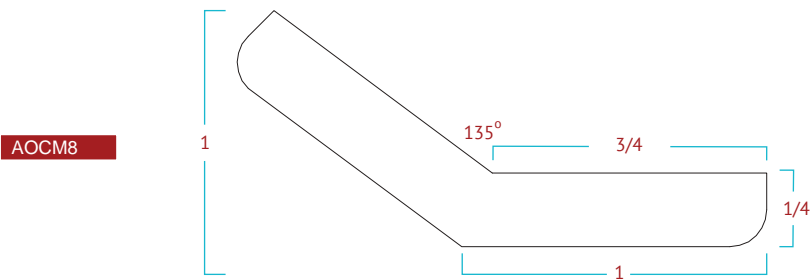


— ♦ CABINET SPECIFICATION PANELS, FILLERS & TRIMS ♦ —

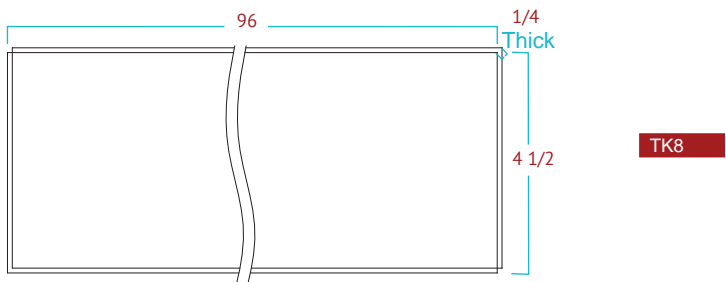
OUTSIDE CORNER MOLDING



ANGLE OUTSIDE CORNER MOLDING



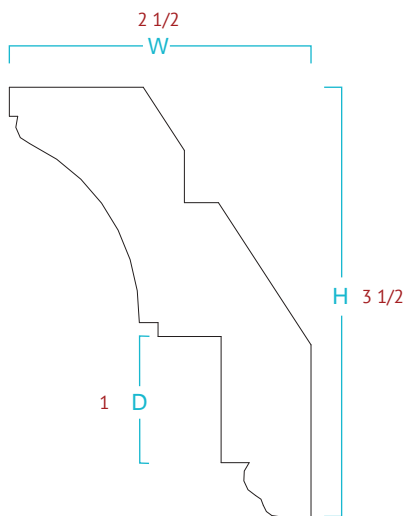
TOE KICK



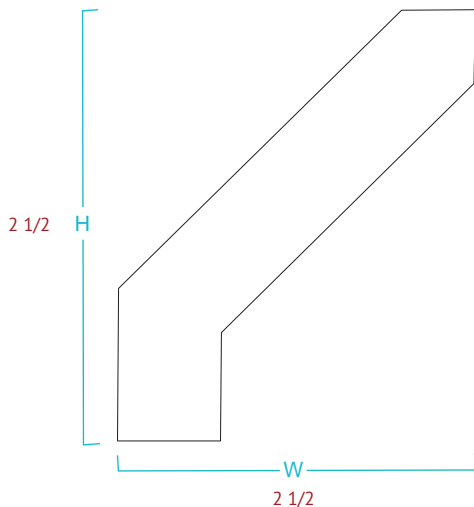
✓ *Trims sold in 8' long lengths

— ♦ CABINET SPECIFICATION PANELS, FILLERS & TRIMS ♦ —

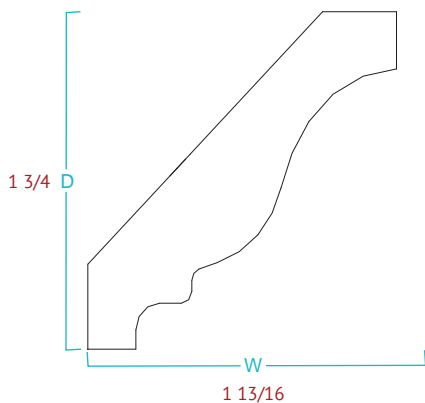
CROWN MOLDING



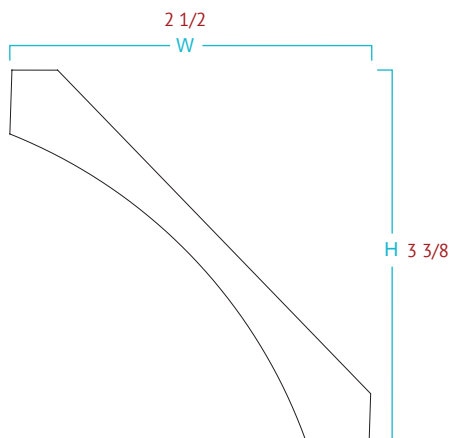
LCM8



ACM8



CM8

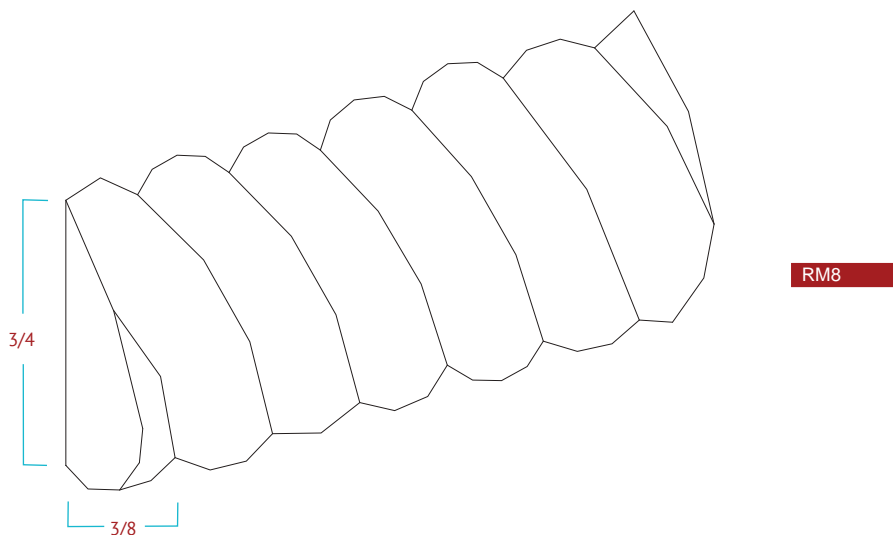


COV8

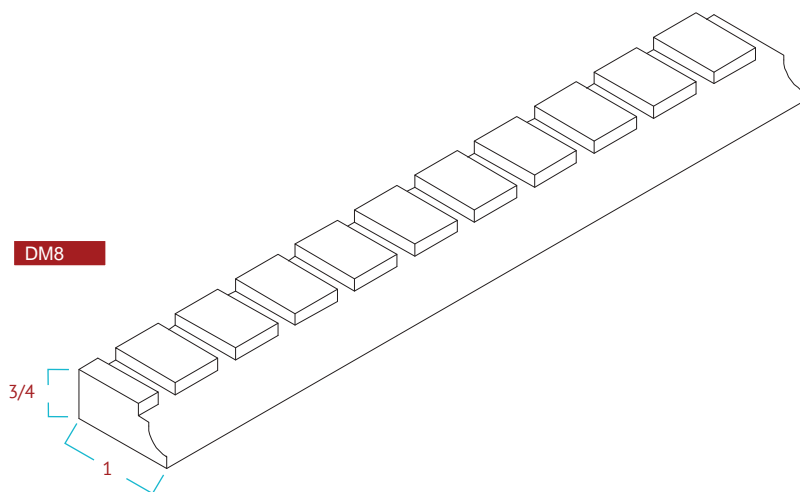
✓ *Trims sold in 8' long lengths

— ♦ CABINET SPECIFICATION PANELS, FILLERS & TRIMS ♦ —

ROPE MOLDING



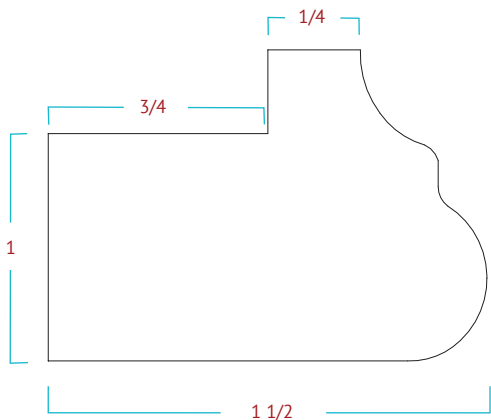
DENTIL MOLDING



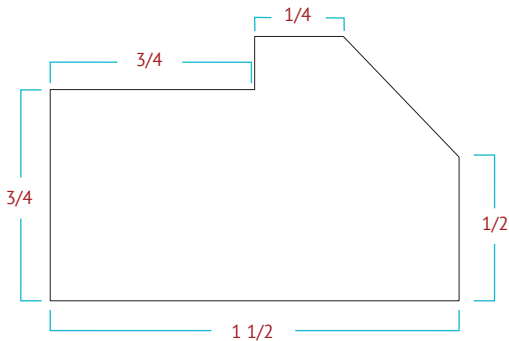
✓ *Trims sold in 8' long lengths

CABINET SPECIFICATION PANELS, FILLERS & TRIMS

LIGHT RAIL MOLDING

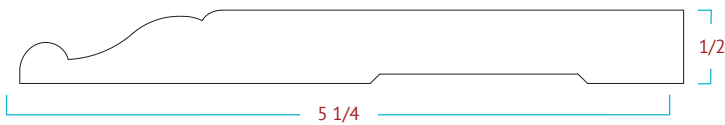


LRM8



ALRM8

FURNITURE BASE MOLDING

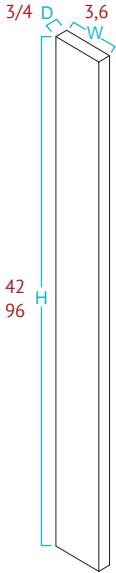


FBM8

✓ *Trims sold in 8' long lengths

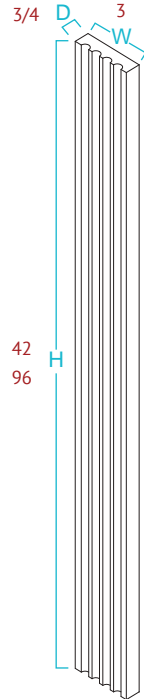
CABINET SPECIFICATION PANELS, FILLERS & TRIMS

FILLER/FLUTED FILLER



F342 | F642 | F396 | F696

SKU	W	H	D
F342	3	42	3/4
F642	6	42	3/4
F396	3	96	3/4
F696	6	96	3/4



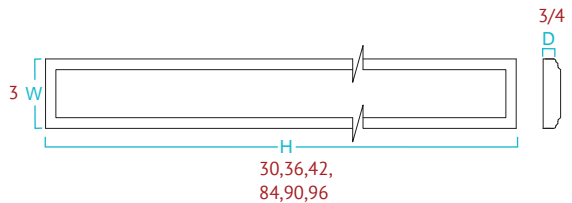
FF342 | FF396

SKU	W	H	D
FF342	3	36	3/4
FF396	3	96	3/4

OVERLAY WALL FILLER

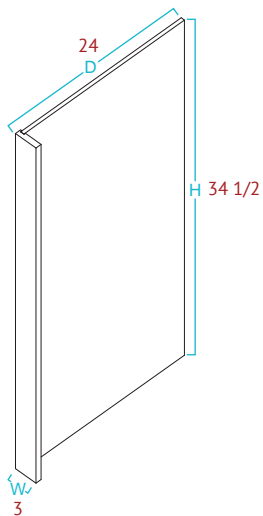
OWF330 | OWF336 | OWF342 | OWF384 | OWF390 | OWF396

SKU	W	H	D
OWF330	3	30	3/4
OWF336	3	36	3/4
OWF342	3	42	3/4
OWF384	3	84	3/4
OWF390	3	90	3/4
OWF396	3	96	3/4



— ◆ CABINET SPECIFICATION PANELS, FILLERS & TRIMS ◆ —

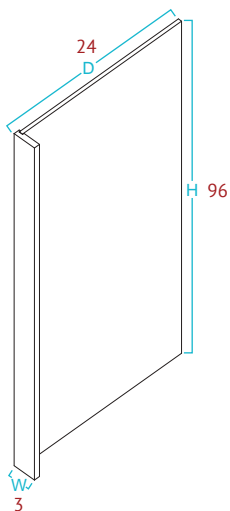
DISHWASHER RETURN PANEL



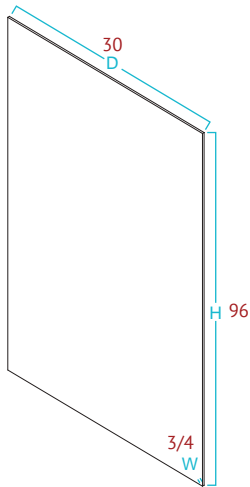
DWR3

✓ 3" can be trimmed to 1 1/2"

REFRIGERATOR END PANEL



REP396

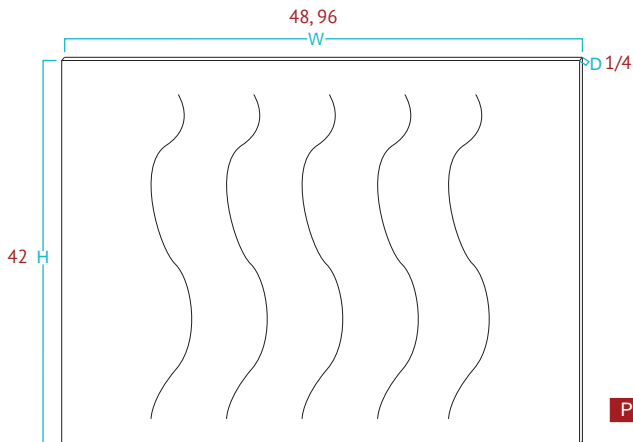


UREP96

✓ 3" can be trimmed to 1 1/2"

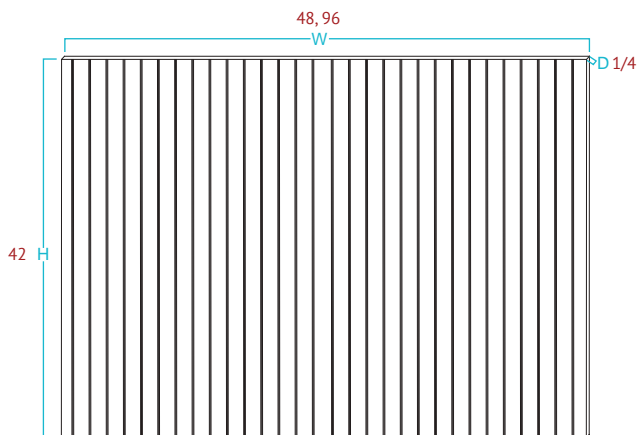
CABINET SPECIFICATION PANELS, FILLERS & TRIMS

FINISHED PANELS



PLY4248 | PLY4296

SKU	Cabinet Box		
	W	H	D
PLY4248	48	42	1/4
PLY4296	96	42	1/4

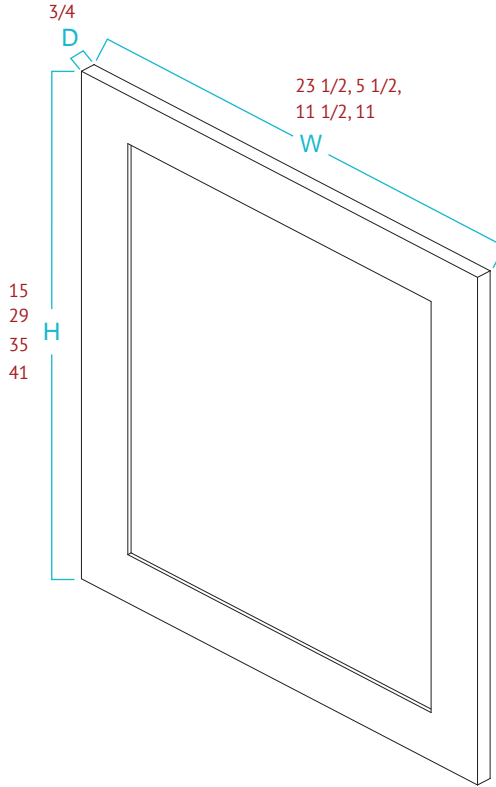


BB4248 | BB4296

SKU	Cabinet Box		
	W	H	D
BB4248	48	42	1/4
BB4296	96	42	1/4

— ♦ CABINET SPECIFICATION PANELS, FILLERS & TRIMS ♦ —

DECORATIVE FALSE DOORS



BDD24

WDD630

WDD30

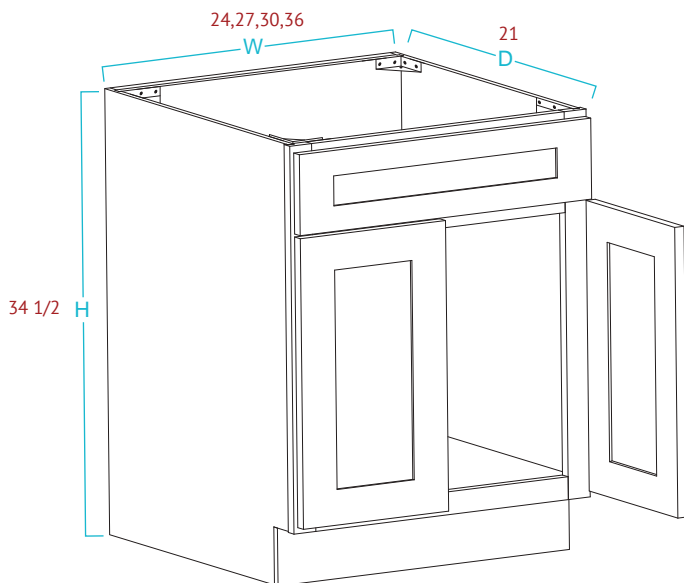
WDD36

WDD42

SKU	Cabinet Box		
	W	H	D
BDD24	30	$23\ 1/2$	8
WDD630	35	$23\ 1/2$	8
WDD30	35	$23\ 1/2$	8
WDD36	30	$23\ 1/2$	8
WDD42	35	$23\ 1/2$	8
Sample Door	35	$23\ 1/2$	8

CABINET SPECIFICATION VANITIES

VANITY SINK BASE CABINETS

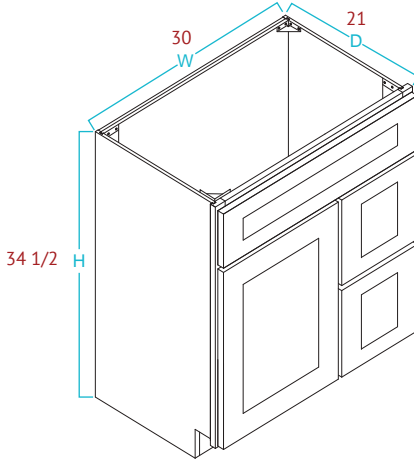


V2421 | V2721 | V3021 | V3621

SKU	Cabinet Box			Cabinet Doors				Drawer Head			
	W	H	D	W	H	D	QTY	W	H	D	QTY
V2421	24	34 1/2	21	11 3/4	22	7/8	2	23 1/2	6 3/4	7/8	1
V2721	27	34 1/2	21	13 3/4	22	7/8	2	26 1/2	6 3/4	7/8	1
V3021	30	34 1/2	21	14 3/4	22	7/8	2	29 1/2	6 3/4	7/8	1
V3621	36	34 1/2	21	17 3/4	22	7/8	2	35 1/2	6 3/4	7/8	1

CABINET SPECIFICATION VANITIES

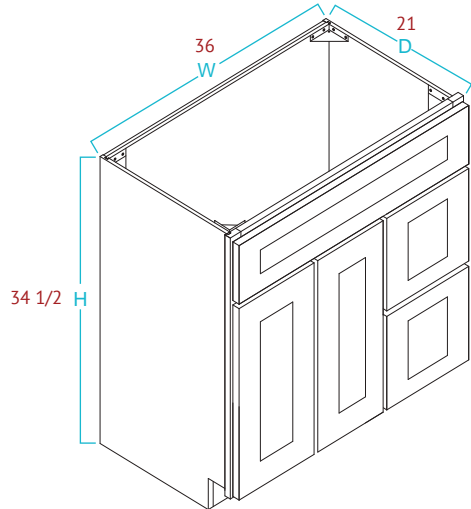
VANITY SINK BASE COMBO CABINETS



- ✓ Drawers are 11 1/2" W
- ✓ Door is 17 1/2" W

V3021DR

SKU	Cabinet Box				False Drawer Head				Operable Drawer Head				Operable Drawer Boxes			
	W	H	D		W	H	D	QTY	W	H	D	QTY	W	H	D	QTY
O338424	30	34 1/2	21		29 1/2	6 3/4	7/8	1	32 1/2	10 3/4	7/8	2	8 1/2	7	18	2



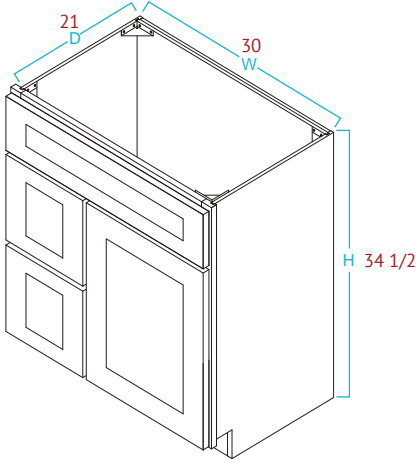
- ✓ Drawers are 11 1/2" W
- ✓ Doors are 11 3/4" W

V3621DR

SKU	Cabinet Box				False Drawer Head				Operable Drawer Head				Operable Drawer Boxes			
	W	H	D		W	H	D	QTY	W	H	D	QTY	W	H	D	QTY
V3621DR	36	34 1/2	21		35 1/2	6 3/4	7/8	1	11 1/2	10 3/4	7/8	2	8 1/2	7	18	2

CABINET SPECIFICATION VANITIES

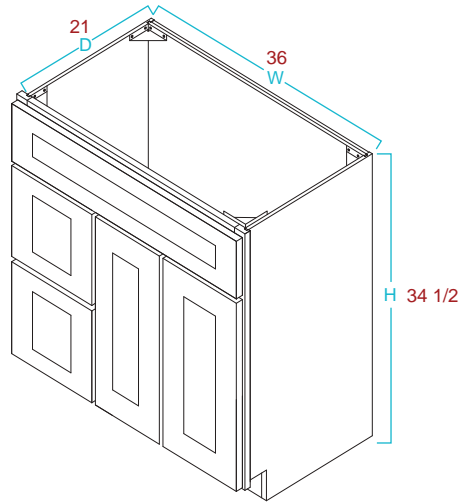
VANITY SINK BASE COMBO CABINETS



- ✓ Drawers are 11 1/2" W
- ✓ Door is 17 1/2" W

V3021DL

SKU	Cabinet Box			False Drawer Head				Operable Drawer Head				Operable Drawer Boxes			
	W	H	D	W	H	D	QTY	W	H	D	QTY	W	H	D	QTY
V3021DL	30	34 1/2	21	29 1/2	6 3/4	7/8	1	11 1/2	10 3/4	7/8	2	8 1/2	7	18	2



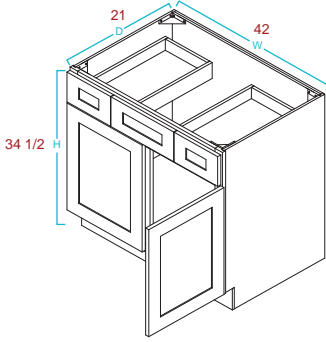
- ✓ Drawers are 11 1/2" W
- ✓ Doors are 11 3/4" W

V3621DR

SKU	Cabinet Box			False Drawer Head				Operable Drawer Head				Operable Drawer Boxes			
	W	H	D	W	H	D	QTY	W	H	D	QTY	W	H	D	QTY
V3621DL	36	34 1/2	21	35 1/2	6 3/4	7/8	1	11 1/2	10 3/4	7/8	2	8 1/2	7	18	2

CABINET SPECIFICATION VANITIES

VANITY SINK BASE COMBO CABINETS

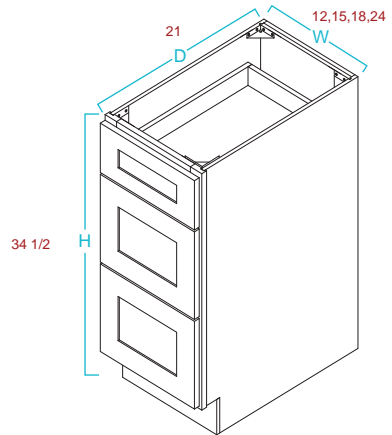


- ✓ Drawers are 10" W
- ✓ Doors are 20 1/2" W

VB4221

SKU	Cabinet Box				Middle Drawer Head				Operable Drawer Head				Operable Drawer Boxes				Cabinet Doors			
	W	H	D		W	H	D	QTY	W	H	D	QTY	W	H	D	QTY	W	H	D	QTY
VB4221	42	34 1/2	21		20 1/2	6 2/4	7/8	2	10	6 3/4	7/8	2	7	4	18	1	20 1/2	22	7/8	2

VANITY DRAWER BASE CABINETS

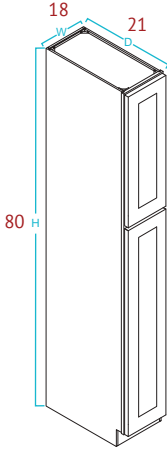


VDB12-3 VDB15-3 VDB18-3 VDB24-3

SKU	Cabinet Box			Drawer Head				Drawer Head				Top Drawer Box				Bottom Drawer Boxes			
	W	H	D	W	H	D	QTY	W	H	D	QTY	W	H	D	QTY	W	H	D	QTY
VDB12-3	12	34 1/2	21	11 1/2	6 3/4	7/8	1	11 1/2	10 3/4	7/8	2	8 1/2	4	18	1	8 1/2	7 1/2	18	2
VDB12-3	15	34 1/2	21	14 1/2	6 3/4	7/8	1	14 1/2	10 3/4	7/8	2	11 1/2	4	18	1	11 1/2	7 1/2	18	2
VDB18-3	18	34 1/2	21	17 1/2	6 3/4	7/8	1	17 1/2	10 3/4	7/8	2	14 1/2	4	18	1	14 1/2	7 1/2	18	2
VDB24-3	24	34 1/2	21	23 1/2	6 3/4	7/8	1	23 1/2	10 3/4	7/8	2	20 1/2	4	18	1	20 1/2	7 1/2	18	2

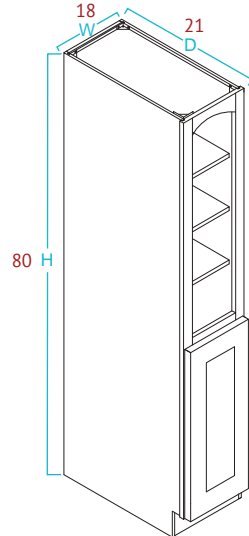
CABINET SPECIFICATION VANITIES

VANITY LINEN CABINETS



VL188021

SKU	Cabinet Box			Top Cabinet Doors				Bottom Cabinet Doors			
	W	H	D	W	H	D	QTY	W	H	D	QTY
U248424	18	80	21	17 1/2	28 3/4	7/8	1	17 1/2	45 1/4	7/8	1

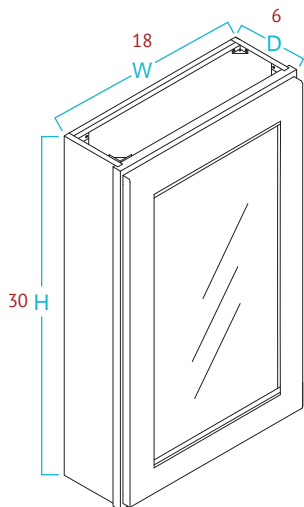


VOL188021

SKU	Cabinet Box			Top Cabinet Doors				Bottom Cabinet Doors			
	W	H	D	W	H	D	QTY	W	H	D	QTY
VOL188021	18	80	21	15	42 3/4	22 1/4	1	17 1/2	29	7/8	1

CABINET SPECIFICATION VANITIES

MEDICINE CABINETS

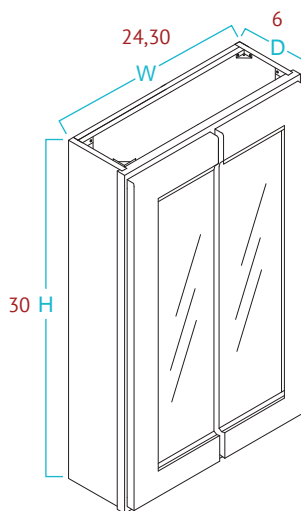


MC1830

SKU	Cabinet Box		
	W	H	D
MC1830	18	30	6

MC2430 | MC3030

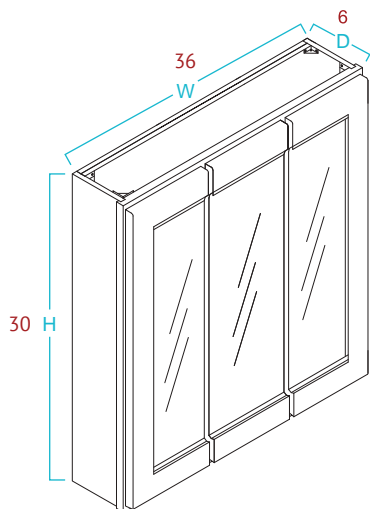
SKU	Cabinet Box		
	W	H	D
MC2430	24	30	6
MC3030	30	30	6



- ✓ Mirror not included
- ✓ No medicine cabinets come with mirrors, you need to purchase separately

CABINET SPECIFICATION VANITIES

MEDICINE CABINETS



MC3630

SKU	Cabinet Box		
	W	H	D
MC3630	36	30	6

- ✓ Mirror not included
- ✓ No medicine cabinets come with mirrors, you need to purchase separately

- AVA Cabinetry warrants to the original purchaser that cabinetry, door hinges, and the drawer glides will be free from defects in material and workmanship under normal use and service for lifetime. This warranty is not transferable and only applicable to product used for residential purposes. Representatives of AVA Cabinetry do not have the authority to change or enlarge this warranty.
- This warranty does not cover normal wear and tear, damage or defects caused by accidents, misuse, abuse, or lack of necessary maintenance; nor does it cover alteration, modification, improper installation, improper handling/storage, environmental conditions, nor any labor expenses.
- AVA Cabinetry has the option to elect to repair or replace with a functionally equivalent product. Some replacement parts are subject to availability and may differ from original parts received. Return of defective product may be required for a replacement to be issued. Repair parts or replacement parts are at the expense of AVA Cabinetry, but customer shall bear all other expenses. These expenses may include, but are not limited to, cost of removal and re-installation of product, labor expenses, etc.
- Just as no two trees are alike, no two pieces of wood are alike. The variation in color and grain pattern in wood adds to its natural beauty and is not considered an imperfection. This warranty does not cover the environmental factors, including but not limited to artificial/natural light, moisture, cleaners, smoke, etc, may cause the darkening or mellowing of a cabinet over time. This is a natural process and can be expected. Low moisture can cause joints to open up.
- Some of the cabinet lines feature a glazed finish which accentuates the door and drawer front profiles. This glaze is hand applied over a stain or paint and may, due to the nature of application, consist of random drips, runs, or may have variations in color and appearance from door to door and cabinet to cabinet. This is not considered a defect and is considered normal with hand applied finishes. It is the nature of wood to expand and contract to varying degrees depending on climate conditions. As a result, cabinet lines with painted surfaces may show fractures in the paint at joints. This is normal and is not considered a defect.

LIFETIME LIMITED WARRANTY

- This warranty is valid only in the United States of America and is not transferable. To the extent permitted by law, this warranty excludes special, incidental, or consequential damages. Some states do not allow the exclusion or limitations of incidental or consequential damages or limitations on how long an implied warranty lasts, so the above limitations or exclusions may not apply to you. This warranty gives you specific legal rights; you may have other rights which vary from state to state.
- To exercise this warranty, please contact the AVA Cabinetry supplier from whom you purchased the product. Report, in writing, along with pictures of defects. Please include proof of purchase documentation. If the supplier is not available **please write to:** *Warranty Department, AVA Cabinetry, 2075 W Beecher Rd. Adrian, MI 49221* or **Call:** 888-315-6180 **Fax:** 800-758-7731 **Email:** info@avacabinetry.com
- Specifications are subject to change without notice.

*AVA Cabinetry uses the latest kitchen design technologies,
please go to www.avacabinetry.com to
download our custom catalog today!*

Just Thanks!

