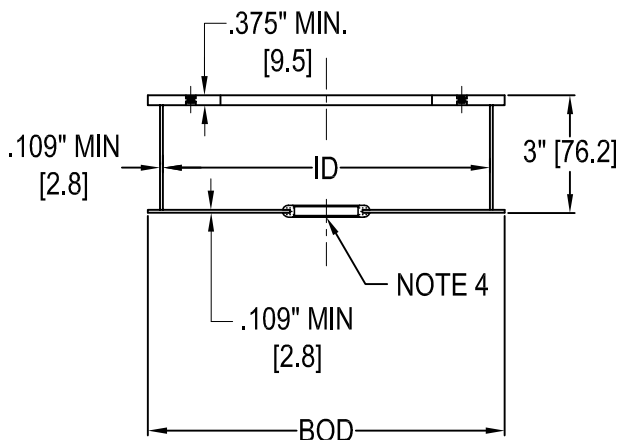
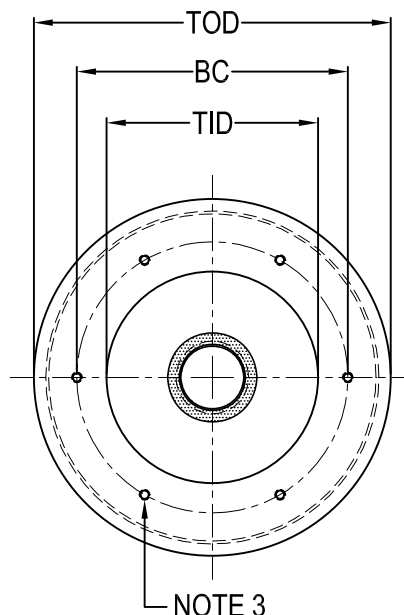


L-867 Class 1A Sign Base

L 867 Class 1A SIGN BASE



1. Approved and Certified to FAA Advisory Circular AC150/5345-42F L867 class 1A
 Size: B=12"
2. Base galvanized to ASTM-A123/A123M-02
3. (6) 3/8"-16 equally spaced, tapped holes
4. (1) 2" Vega Flex Connex supplied with unit
 Various sizes and locations are available
 Flex Connex Grommet is shipped seperately

| TYPE | TOD & BOD | ID | BC | TID |
|---------------|-----------|---------|---------|-------|
| AC2103 | 13.5" | 12.375" | 10.25" | 9.25" |
| 12" L867B | [342.9] | [314.3] | [260.4] | [235] |

[] = dimensions in metrics; mm