

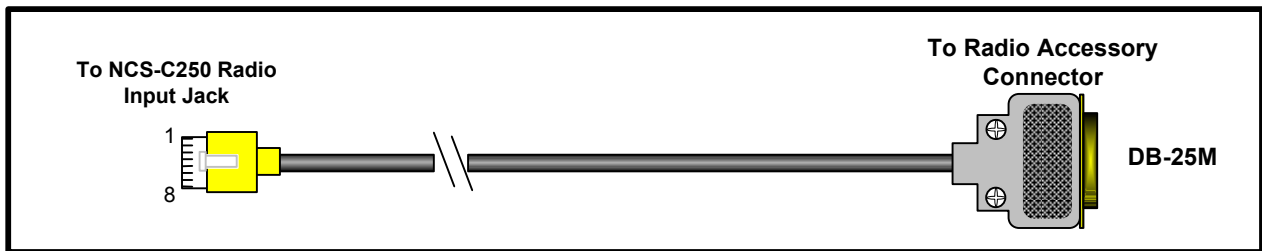
Radio Interface Cable

For NCS-C250 Mobile Multi-Switcher

NCS Model Number
NCS-250-MFA-XX

Compatible Radios:

- Motorola Spectra High Power**
- Motorola ASTRO Spectra High Power**
- Motorola XTL5000 High Power**

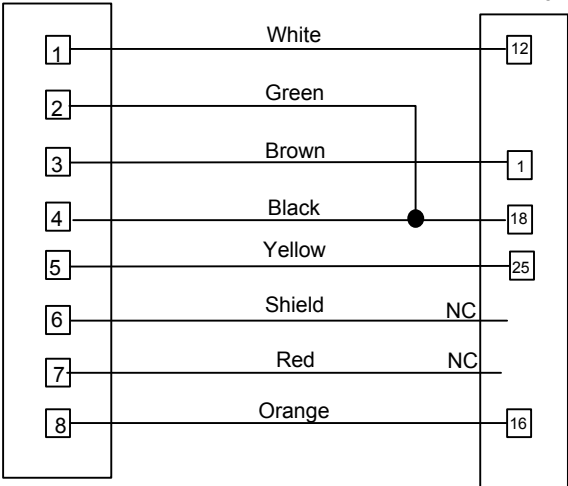


RJ-45

Pin #	Wire Color	Function
1	White	Mic Hi
2	Green	Mic Lo
3	Brown	PTT
4	Black	Ground
5	Yellow	Rx Audio
6	Shield	Ground
7	Red	Hook Sw*
8	Orange	COR*

*Active only if Switch Hook or COR Option installed.

RJ-45 **DB-25**



Cable Wiring

Notes for Motorola ASTRO Spectra High Power:

1. Install jumper between the audio PA IC (TDA7256) pin 10 and J503 pin 19 (VIP Out). This provides COR to the ACC connector JU0006.
2. Remove JU521 and install JU513 to enable external Mic Hi.
3. Remove JU518 and install JU500 to enable external PTT.
4. On interconnect board HLN6486D, install JU605 to connect PTT to ACC connector JU0006.

Notes for Motorola Spectra High Power:

1. Install jumper between the audio PA IC (TDA7256) pin 10 (PA Enable) and J502 pin 18 (VIP Out 1). This provides COR to ACC connector JU0006.
2. The following jumpers/resistors must be installed/removed on the radio interconnect board (HLN6161B):
 - Add: Jumpers 512, 513, 605, 606, 609, 626, 627, and resistor R601.
 - Remove: Jumpers 611, 614, 615 and resistor R602.

Radio Interface Cable

NCS-250-MFA-XX

(continued)

Notes for Motorola XTL5000 High Power (Astro Control):

1. Remove jumpers JU672, JU615, JU512, JU614 and JU513. These jumpers are located on the HLN6901C Remote Interconnect Board.
2. Connect wire jumper between pin 16 of the accessory connector (J60) and the collector of Q0200 on the HUD4025B Logic PCB. This provides COR to pin 16 of the accessory connector.
3. Using the Astro Mobile CPS, program the following options in the **Radio Wide/Advanced** menu:
 - a. **Aux PTT Audio Source=Aux_TX**
 - b. **Aux Transmit Sensitivity=300mV**

Notes for Motorola XTL5000 High Power (Millenium Control):

1. Remove jumper JU353 and resistors R350 and R356. These components are located on the HLN1454B Remote Interconnect Board.
2. Connect wire jumper between pin 16 of the accessory connector (J60) and the collector of Q0200 on the HUD4025B Logic PCB. This provides COR to pin 16 of the accessory connector.
3. Using the Astro Mobile CPS, program the following options in the **Radio Wide/Advanced** menu:
 - a. **Aux PTT Audio Source=Aux_TX**
 - b. **Aux Transmit Sensitivity=300mV**