

Product Information

Vacuum Viewport Shutters are used in both HV and UHV coating applications to protect the viewport from the deposition of materials.

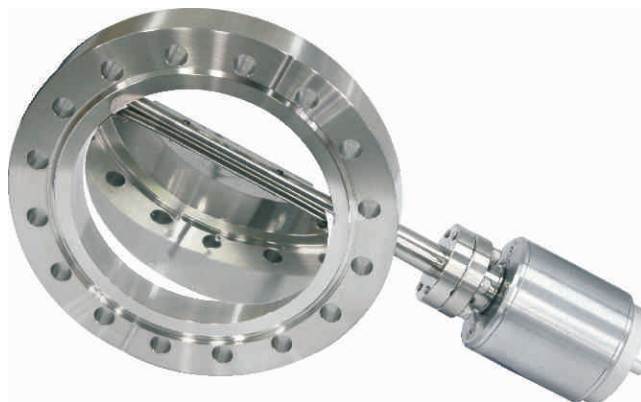
All shutters incorporate a double-sided flange so that they can be mounted in between the chamber and viewport which they are protecting. The swing mechanism, which is operated via a magnetic rotary drive, can 'swing' through 0° to 90° but can easily be locked at a set angle via a thumbscrew on the back of the drive.

The viewport shutter can also easily be cleaned by bead-blasting the shutter plate.

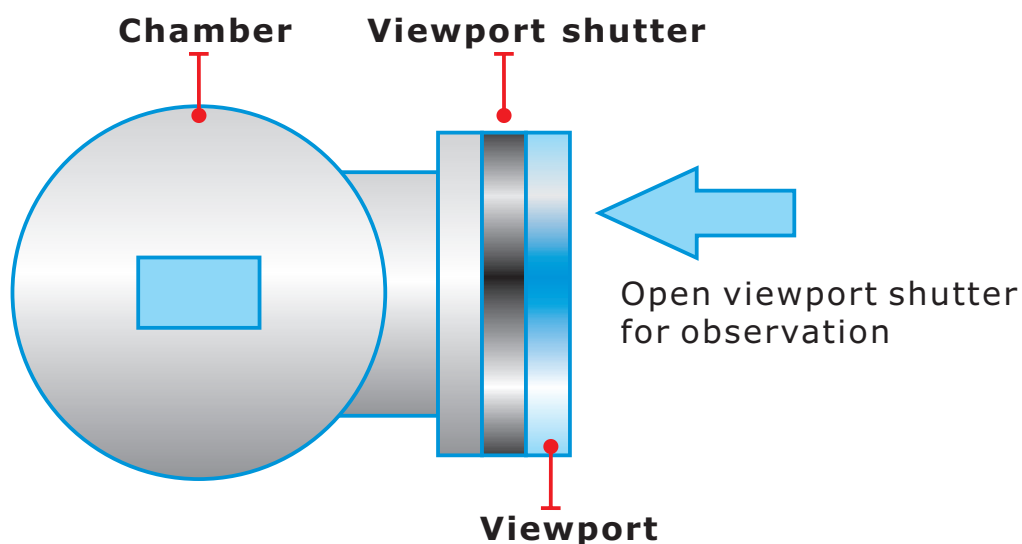
System
Components

Product Features

- Range of CF flange sizes from 2.75" to 10" OD.
- Double-sided flange mount.
- UHV grade rotary drive with thumbscrew for discrete angle positioning.
- Bakeable to 250°C.
- Wide range observation area.
- Easy installation in any orientation.

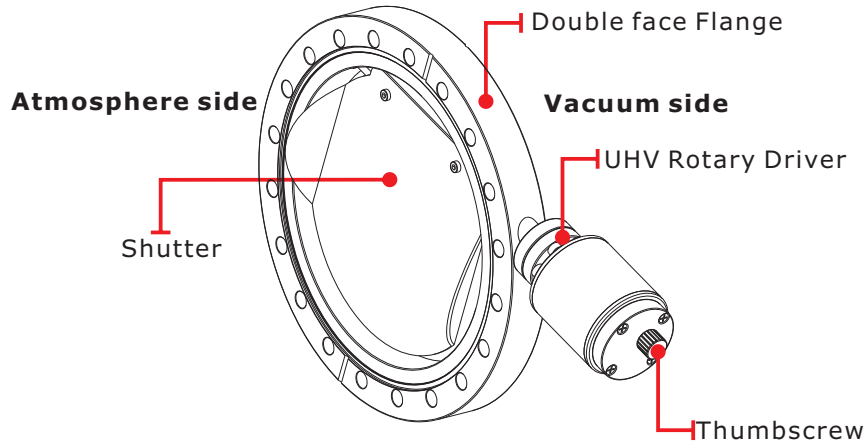


Product Application



Viewport shutter is mounted in between the chamber and viewport

Key Product Parts

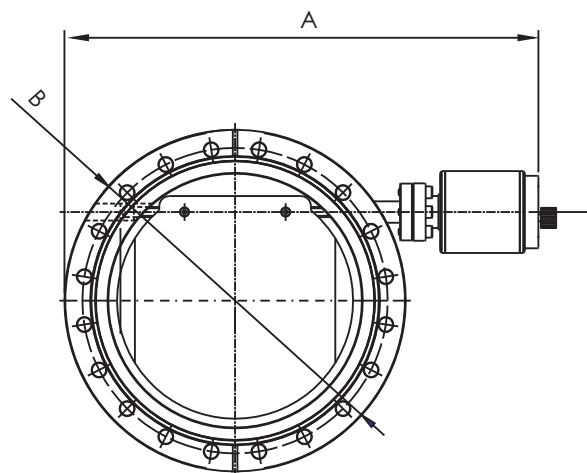


System
Components

Technical Data for Quick Access Doors

Shutter	Stainless steel
Mounting seal	OFHC gasket (both sides)
Operate pressure range	760 Torr ~ 1×10^{-10} Torr 1,000 mbar ~ 1.33×10^{-10} mbar 100 kPa ~ 1.13×10^{-11} kPa
Leak rate	1×10^{-10} Torr l/s, He 1.33×10^{-10} mbar l/s, He 1.13×10^{-11} kPa l/s, He
Temperature range	0°C (32°F) ~ 200°C (392°F)
Bake temperature	250°C (482°F)
Body material	SS304L
Feedthrough	UHV Rotary Drive
Mounting position	Any

Product Order Information



System
Components

UHV Viewport Shutters, CF Flange, SS304L

Part Number	Flange Size	A	B
VPS-CF-275	CF2.75"	152	69
VPS-CF-450	CF4.5"	197	114
VPS-CF-600	CF6"	235	152
VPS-CF-800	CF8"	285	202
VPS-CF-1000	CF10"	323	253