



# ALUMINUM BLINDS

Effective April 1, 2018

*design simplified™*

---

# TABLE OF CONTENTS

---

## Features And Options

- Features & Benefits . . . . . 2
- Color Chart. . . . . 3

## Pricing Information

- Price Chart and Option Charges. . . . . 4-10

## Product Information

- Controls. . . . . 11
- Cord and Ladder Specifications. . . . . 11
- Mounting Requirements. . . . . 11
- Tilt Wand Lengths. . . . . 11
- Ladder Placement Chart . . . . . 11
- Stack-Up Chart. . . . . 11
- Offset Stacking Chart . . . . . 11
- Product Specifications. . . . . 12-13
- Cordless Lift & Lock™ Bottomrail Color Chart . . . . . 14
- Product Components . . . . . 15-20

## FEATURES & BENEFITS



### Value/Basic 1" Blinds:

- Spring-tempered .006 gauge slats - offered in a popular variety of colors. (Value offered in 6 top-selling colors)
- Heavy-duty standard headrail with crashproof cordlock and cast metal slip-clutch tilter – ensures smooth, reliable operation.
- Comes standard with a two-slat valance.

### Traditional 1" Blinds:

- Spring-tempered .006 and .008 gauge slats – offered in best-selling styles and colors.
- Heavy-duty standard headrail with crash-proof cordlock and cast metal slip-clutch tilter – ensures smooth, reliable operation.
- Two-slat channel valance – covers the headrail and brackets and adds a finished look.

### Deluxe 1" Blinds:

- Spring-tempered .008 gauge slats - available in a full selection of decorative colors and styles.
- Heavy-duty headrail with built-in valance - adds contemporary appeal.
- LightsOut room-darkening feature – blocks out unwanted light and increases privacy.
- 18mm ladder spacing - provides maximum slat overlap to ensure a tight closure.
- Crash-proof cordlock and cast metal slip-clutch tilter - provide smooth, reliable operation.

### Macro 2" Blinds:

- Spring-tempered .008 gauge slats offered in popular colors.
- Heavy-duty standard headrail with crashproof cordlock and cast metal slip-clutch tilter – ensures smooth, reliable operation.
- Channel valance – covers the headrail and brackets and adds a finished look.

### All Aluminum Blinds:

- Spring-tempered slats – resist kinks and dents, they bounce back.
- Dust-resistant finish repels dust and makes cleaning easier.
- Lockseam bottomrail provides added durability and resists bowing.
- Cord Connector separates under pressure and easily snaps together again.
- Cordless Lift & Lock upgrade provides cord free lifting for enhanced child & pet safety.
- Limited Lifetime Warranty ensures your customers' satisfaction.



Aluminum Blinds with Cordless Lift & Lock™ are Best For Kids certified when ordered with wand tilt

# COLOR CHART

COLOR NAME	Deluxe Collection	Traditional Collection		Value Collection	Basic Collection	Macro Collection
	1" .008 GAUGE	1" .006 GAUGE	1" .008 GAUGE	1" .006 GAUGE	1" .006 GAUGE	2" .008 GAUGE
ALABASTER	D8002	T6002	T8002	V6002	B6002	M2002
ANTIQUE	D8973	T6973	T8973		B6973	M2973
ANTIQUE PERFORATED	D8973P		T8973P			
ASH	D8913					
BEIGE	D8186	T6186	T8186		B6186	M2186
BISCUIT	D8315					
BISQUE	D8269	T6269	T8269		B6269	M2269
BLACK	D8048	T6048	T8048		B6048	M2048
BLACK PERFORATED	D8048P		T8048P			
BRIGHT ALUMINUM	D8190	T6190	T8190		B6190	M2190
BRUSHED ALUMINUM	D8065	T6065	T8065	V6065	B6065	
BRUSHED ALUMINUM PERFORATED	D8065P		T8065P			
BRUSHED NICKEL TEXTURE	D8262		T8262			
BURGUNDY	D8188					
CANVAS	D8830	T6830	T8830		B6830	M2830
CHALK WHITE	D8885	T6885	T8885		B6885	M2885
CHAR BROWN	D8064	T6064	T8064	V6064	B6064	M2064
CHAR BROWN MATTE	D8254					
CLASSIC RED	D8916					
CLAY	D8180	T6180	T8180		B6180	
COBALT BLUE	D8280					
COBBLESTONE	D8318	T6318	T8318		B6318	
COUNTRY BEIGE	D8319					
EGGSHELL	D8173				B6173	M2173
EVENING SNOW	D8385					
FAWN	D8205	T6205	T8205		B6205	M2205
FOREST	D8413	T6413	T8413		B6413	
GRAPHITE	D8983					
GRAYSTONE	D8748	T6748	T8748		B6748	M2748
KAOLIN PEARL	D8711	T6711	T8711		B6711	
LIGHT CAFFE	D8914					
LINEN	D8270				B6270	M2270
MERCURY	D8276				B6276	
OPAL	D8001	T6001	T8001		B6001	
PARCHMENT	D8402					
PEARL	D8974	T6974	T8974		B6974	M2974
PEWTER GRAY	D8405				B6405	
PLASTER	D8127	T6127	T8127	V6127	B6127	
PUMICE	D8203					
PURE WHITE	D8125	T6125	T8125	V6125	B6125	M2125
QUARTZ	D8018	T6018	T8018		B6018	M2018
RIVER LOG	D8917					
SEASHELL	D8795	T6795	T8795		B6795	
SIERRA	D8820	T6820	T8820		B6820	
SNOW GLOSS	D8110	T6110	T8110	V6110	B6110	M2110
SNOW GLOSS PERFORATED	D8110P		T8110P			
SOFT TAUPE	D8361					
SPRIG	D8919					
TALC	D8981				B6981	
TUSK	D8268	T6268	T8268		B6268	
VANILLA	D8350	T6350	T8350		B6350	M2350



# // Aluminum Blinds – Traditional Routes



ORDERING KEY	
Style	Code
1"	V6+Color #

• Value 1" (V6)

WIDTH TO:	12"	24"	28"	32"	36"	40"	44"	48"	52"	57"	62"	67"	72"	82"	92"	102"	112"	122"	132"	144"	
HEIGHT TO:																					
42"	\$44	51	52	55	58	69	70	74	76	80	91	94	102	109	125	140	155	167	173	185	
48"	45	51	54	56	60	70	76	77	80	84	95	98	107	115	130	147	161	175	180	192	
54"	45	54	55	58	62	74	76	79	81	84	97	100	108	116	133	150	165	179	185	196	
60"	47	54	56	59	63	76	79	80	83	87	98	102	111	122	136	153	171	183	190	204	
66"	49	58	60	63	67	80	83	84	87	91	104	108	116	127	143	160	178	192	200	213	
72"	51	59	62	65	69	81	84	87	90	94	107	109	119	130	146	164	182	199	206	220	
78"	52	60	63	67	73	84	87	90	93	97	109	113	125	134	151	171	187	204	213	226	
84"	52	62	65	67	74	86	88	91	95	100	112	116	127	139	154	173	192	210	218	232	
90"	54	63	66	69	76	87	91	94	97	102	115	119	130	141	158	178	197	214	224	238	
96"	54	63	67	70	77	88	93	95	98	104	116	123	133	144	161	182	200	220	228	243	
102"	54	65	69	73	79	90	94	97	101	107	119	125	136	147	165	186	206	225	233	249	
108"	55	66	69	74	80	93	95	100	102	108	123	127	139	150	169	189	210	229	239	254	
114"	55	66	70	76	81	94	98	101	105	111	126	130	141	154	173	193	214	235	243	260	
120"	56	67	73	77	83	95	100	102	107	113	129	133	144	157	176	197	220	239	249	267	
126"	56	69	74	79	84	97	101	105	109	115	130	136	147	160	180	201	224	243	254	273	

Finished Dimensions	Outside (OB) Mount				Inside (IB) Mount		
	Headrail Width	Blind Height	Slat Width	Standard Returns	Headrail Width	Blind Height	Slat Width
1" Aluminum Blind – Box Bracket	Ordered Width	Ordered Height	Ordered Width	No Returns	-1/2"	Ordered Height	-1/2"

**NOTE:** Measurements represent difference of total headrail or slat width (including endcaps) from ordered width.

OPTIONS: EXTRA CHARGE
• Cordless Lift & Lock..... add \$58 each

OPTIONS: NO EXTRA CHARGE
• 2 On 1 Headrail .....price as separate blinds
• 3 On 1 Headrail.....price as separate blinds (3 On 1 Headrail not available with Cordless Lift & Lock)
• Controls – either LR, RL or grouped (Standard only)
• Hold-Down Brackets (not available with Cordless Lift & Lock)
• Extension Brackets
• Spacer Blocks
• Tile Cut-Out – max. 5-1/2" each side (not available with Cordless Lift & Lock)
• Special Wand and Cord Length

SIZE SPECIFICATIONS - Value .006 Gauge		
	Standard Cordlock	Cordless Lift & Lock™
Slat width	1"	1"
Minimum <b>width</b> (NET)	8"	10-1/2"
Minimum <b>height</b>	6"	12"
Maximum <b>width</b> of a single blind	144"	120"
Maximum <b>height</b>	126"	84"
Maximum width with two on one headrail	144"	144"
Maximum width with three on one headrail	144"	n/a
Blind with tilter only – net width	8" to 10-3/8"	10-1/2" - 12-3/8" Center tilt only 12-1/2" or greater L or R tilt only
Blind must have split controls – net width	10-1/2" to 18"	
Blind with controls in any position – net width	18-1/8" or more	
Maximum square feet, single blind	133 sq. ft.	133 sq. ft.

ORDERING KEY	
Style	Code
1"	B6+Color #

• Basic 1" (B6)

WIDTH TO:	12"	24"	28"	32"	36"	40"	44"	48"	52"	57"	62"	67"	72"	82"	92"	102"	112"	122"	132"	144"
HEIGHT TO:																				
42"	\$45	54	58	60	65	76	79	81	84	88	101	104	112	123	137	155	173	186	193	206
48"	47	56	59	62	66	80	84	87	90	94	107	109	119	130	146	164	182	196	203	217
54"	48	58	60	65	69	81	86	88	91	95	108	112	123	133	150	169	187	201	210	224
60"	49	59	63	66	73	84	87	91	94	100	112	116	127	139	154	175	193	208	218	235
66"	52	63	67	70	77	88	93	95	100	105	118	125	134	146	162	183	203	220	231	246
72"	54	65	69	74	80	91	95	100	102	108	123	127	139	150	169	189	208	229	239	254
78"	55	67	73	77	83	95	100	102	107	113	127	133	143	155	175	196	218	238	247	266
84"	55	69	74	79	84	97	101	105	109	116	132	137	147	161	180	203	225	245	256	274
90"	56	70	76	80	87	100	104	108	113	119	136	141	151	165	186	208	231	252	263	282
96"	58	73	77	83	88	101	107	111	115	123	139	144	155	171	190	213	236	257	271	289
102"	58	74	79	84	91	104	109	113	119	127	141	148	160	175	196	221	243	266	278	298
108"	59	76	81	86	93	107	112	116	123	130	146	153	164	180	201	226	250	273	286	306
114"	59	77	83	88	95	109	113	119	126	133	150	155	169	185	207	232	256	281	293	316
120"	60	79	84	90	97	111	116	123	129	137	153	160	173	189	213	238	263	288	302	324
126"	60	80	86	91	100	113	119	126	132	140	157	164	178	194	218	243	271	295	309	333

Finished Dimensions	Outside (OB) Mount				Inside (IB) Mount		
	Headrail Width	Blind Height	Slat Width	Standard Returns	Headrail Width	Blind Height	Slat Width
1" Aluminum Blind – Box Bracket	Ordered Width	Ordered Height	Ordered Width	No Returns	-1/2"	Ordered Height	-1/2"

**NOTE:** Measurements represent difference of total headrail or slat width (including endcaps) from ordered width.

OPTIONS: EXTRA CHARGE
• Cordless Lift & Lock..... add \$58 each

OPTIONS: NO EXTRA CHARGE
• 2 On 1 Headrail .....price as separate blinds
• 3 On 1 Headrail.....price as separate blinds (3 On 1 Headrail not available with Cordless Lift & Lock)
• Controls – either LR, RL or grouped (Standard only)
• Hold-Down Brackets (not available with Cordless Lift & Lock)
• Extension Brackets
• Spacer Blocks
• Tile Cut-Out – max. 5-1/2" each side (not available with Cordless Lift & Lock)
• Special Wand and Cord Length

SIZE SPECIFICATIONS - Basic .006 Gauge		
	Standard Cordlock	Cordless Lift & Lock™
Slat width	1"	1"
Minimum width (NET)	8"	10-1/2"
Minimum height	6"	12"
Maximum width of a single blind	144"	120"
Maximum height	126"	84"
Maximum width with two on one headrail	144"	144"
Maximum width with three on one headrail	144"	n/a
Blind with tilter only – net width	8" to 10-3/8"	10-1/2" - 12-3/8" Center tilt only 12-1/2" or greater L or R tilt only
Blind must have split controls – net width	10-1/2" to 18"	
Blind with controls in any position – net width	18-1/8" or more	
Maximum square feet, single blind	133 sq. ft.	133 sq. ft.

# // Aluminum Blinds – Traditional Routes



ORDERING KEY	
Style	Code
1" .006 Gauge	T6+Color #

## • Traditional 1" Aluminum Blinds with 2-Slat Channel Valance .006 Gauge (T6)

WIDTH TO:	23"	26"	29"	32"	36"	40"	44"	48"	52"	57"	62"	67"	72"	82"	92"	102"	112"	122"	132"	142"	152"
HEIGHT TO:																					
42"	\$81	86	88	93	97	101	107	111	115	122	129	136	140	161	204	220	235	247	260	274	286
48"	83	87	90	94	98	104	108	112	118	125	133	139	144	165	210	225	242	256	270	284	296
54"	86	88	93	97	101	107	111	116	123	129	137	144	150	171	218	232	249	266	278	293	306
60"	87	90	94	98	102	108	113	119	126	132	140	147	153	176	224	239	256	273	286	302	317
66"	88	91	95	100	105	111	116	122	129	134	144	151	157	180	229	246	263	281	295	313	327
72"	91	95	100	104	109	115	122	127	133	140	150	157	164	187	238	254	275	291	306	324	339
78"	109	113	118	125	132	140	147	153	160	169	182	190	199	226	243	261	282	299	316	333	349
84"	113	119	125	130	137	146	153	160	167	176	189	199	206	235	253	273	292	310	327	345	363
90"	115	122	127	133	140	148	155	162	171	180	193	203	211	240	259	279	299	319	335	355	373
96"	116	123	129	134	141	151	158	165	175	185	197	207	217	245	266	285	306	327	344	365	383
102"	118	125	130	137	144	153	161	169	178	187	201	211	221	250	273	292	314	334	352	373	391
108"	119	127	133	139	147	155	164	172	182	192	204	217	225	256	278	298	323	342	362	383	401
114"	123	129	134	141	148	158	167	176	185	194	208	221	231	261	284	305	330	349	370	391	412
120"	123	130	136	143	151	161	171	178	187	197	213	225	235	267	289	310	335	356	377	399	420
126"	126	132	137	144	153	164	173	182	190	201	218	229	239	273	295	319	342	365	386	409	430

Finished Dimensions	Outside (OB) Mount				Inside (IB) Mount		
	Headrail Width	Blind Height	Slat Width	Standard Returns	Headrail Width	Blind Height	Slat Width
1" Aluminum Blind – Box Bracket	Ordered Width	Ordered Height	Ordered Width	2-1/8"	-1/2"	Ordered Height	-1/2"

**NOTE:** Measurements represent difference of total headrail or slat width (including endcaps) from ordered width.

OPTIONS: EXTRA CHARGE
• Cordless Lift & Lock..... add \$58 each

OPTIONS: NO EXTRA CHARGE
• 2 On 1 Headrail .....price as separate blinds
• 3 On 1 Headrail.....price as separate blinds (3 On 1 Headrail not available with Cordless Lift & Lock)
• Controls – either LR, RL or grouped (Standard only)
• Hold-Down Brackets (not available with Cordless Lift & Lock)
• Extension Brackets
• Spacer Blocks
• Tile Cut-Out – max. 5-1/2" each side (not available with Cordless Lift & Lock)
• Special Wand and Cord Length

SIZE SPECIFICATIONS - Traditional .006 Gauge		
	Standard Cordlock	Cordless Lift & Lock™
Slat width	1"	1"
Minimum <b>width</b> (NET)	8"	10-1/2"
Minimum <b>height</b>	6"	12"
Maximum <b>width</b> of a single blind	152"	120"
Maximum <b>height</b>	126"	84"
Maximum width with two on one headrail	152"	142"
Maximum width with three on one headrail	152"	n/a
Blind with tilter only – net width	8" to 10-3/8"	10-1/2" - 12-3/8" <b>Center tilt only</b> 12-1/2" or greater <b>L or R tilt only</b>
Blind must have split controls – net width	10-1/2" to 18"	
Blind with controls in any position – net width	18-1/8" or more	
Maximum square feet, single blind	133 sq. ft.	133 sq. ft.

ORDERING KEY	
Style	Code
1" .008 Gauge	T8+Color #

• Traditional 1" Aluminum Blinds with 2-Slat Channel Valance .008 Gauge (T8)

WIDTH TO:	23"	26"	29"	32"	36"	40"	44"	48"	52"	57"	62"	67"	72"	82"	92"	102"	112"	122"	132"	142"	152"	
HEIGHT TO:																						
42"	\$83	87	90	94	98	104	109	113	119	126	133	140	146	165	211	226	243	257	271	285	298	
48"	84	88	91	95	101	107	112	116	123	129	137	144	150	172	218	233	250	267	281	295	309	
54"	87	91	94	98	104	109	115	119	126	133	141	148	154	178	226	242	260	277	291	306	321	
60"	88	93	95	101	105	112	118	123	130	137	146	153	160	182	232	249	268	285	299	317	333	
66"	90	94	98	102	108	115	122	126	133	140	150	157	164	187	239	256	277	293	309	327	342	
72"	94	98	102	107	112	119	126	132	139	146	155	164	171	194	249	267	288	305	323	339	356	
78"	112	116	123	129	136	144	151	158	167	176	189	199	207	236	254	275	295	314	331	351	369	
84"	116	123	129	134	141	151	158	165	175	185	197	207	217	245	266	285	306	327	344	365	383	
90"	118	125	130	137	144	154	161	169	178	187	201	211	222	252	273	292	316	335	353	374	392	
96"	122	127	133	139	147	157	164	173	182	192	206	217	226	257	279	299	324	344	365	384	404	
102"	123	129	134	141	150	160	169	176	186	196	210	222	232	263	285	307	331	352	373	395	416	
108"	125	130	137	144	153	162	172	180	189	200	214	226	238	270	292	316	339	362	383	405	426	
114"	126	133	139	146	154	165	175	183	193	204	221	232	242	275	299	323	348	372	391	416	437	
120"	127	134	141	148	157	169	178	186	196	207	224	236	246	281	305	328	355	379	399	425	446	
126"	129	136	143	150	160	172	180	190	200	211	228	240	252	286	310	337	363	387	411	434	458	

Finished Dimensions	Outside (OB) Mount				Inside (IB) Mount		
	Headrail Width	Blind Height	Slat Width	Standard Returns	Headrail Width	Blind Height	Slat Width
1" Aluminum Blind – Box Bracket	Ordered Width	Ordered Height	Ordered Width	2-1/8"	-1/2"	Ordered Height	-1/2"

NOTE: Measurements represent difference of total headrail or slat width (including endcaps) from ordered width.

OPTIONS: EXTRA CHARGE
• Cordless Lift & Lock..... add \$58 each

OPTIONS: NO EXTRA CHARGE
• 2 On 1 Headrail .....price as separate blinds
• 3 On 1 Headrail.....price as separate blinds (3 On 1 Headrail not available with Cordless Lift & Lock)
• Controls – either LR, RL or grouped (Standard only)
• Hold-Down Brackets (not available with Cordless Lift & Lock)
• Extension Brackets
• Spacer Blocks
• Tile Cut-Out – max. 5-1/2" each side (not available with Cordless Lift & Lock)
• Special Wand and Cord Length

SIZE SPECIFICATIONS - Traditional .008 Gauge		
	Standard Cordlock	Cordless Lift & Lock™
Slat width	1"	1"
Minimum width (NET)	8"	10-1/2"
Minimum height	6"	12"
Maximum width of a single blind	152"	120"
Maximum height	126"	84"
Maximum width with two on one headrail	152"	142"
Maximum width with three on one headrail	152"	n/a
Blind with tilter only – net width	8" to 10-3/8"	10-1/2" - 12-3/8" Center tilt only 12-1/2" or greater L or R tilt only
Blind must have split controls – net width	10-1/2" to 18"	
Blind with controls in any position – net width	18-1/8" or more	
Maximum square feet, single blind	133 sq. ft.	133 sq. ft.

# // Aluminum Blinds – Traditional Routes



ORDERING KEY	
Style	Code
1"	D8+Color #

## • Deluxe 1" with Traditional Routes (D8)

WIDTH TO:	23"	26"	29"	32"	36"	40"	44"	48"	52"	57"	62"	67"	72"	82"	92"	102"	112"	122"	132"	142"	
HEIGHT TO:																					
42"	\$87	90	93	95	100	104	108	112	115	122	132	136	141	161	208	222	238	252	263	277	
48"	88	91	94	98	102	107	111	115	119	125	136	141	146	167	218	231	247	263	275	288	
54"	91	94	97	101	105	111	115	119	125	130	140	147	151	173	226	240	259	275	288	302	
60"	93	95	100	104	108	113	118	123	127	134	146	151	157	180	235	250	270	286	299	316	
66"	94	98	101	105	109	116	122	127	132	139	150	157	162	186	243	259	279	296	316	331	
72"	97	101	104	108	113	119	126	132	136	143	154	162	169	192	252	270	289	313	328	345	
78"	119	126	130	136	143	150	157	164	171	179	194	204	211	242	260	278	303	324	339	356	
84"	123	127	133	139	144	154	161	167	175	183	199	208	218	247	267	285	313	333	349	369	
90"	127	133	139	144	151	160	169	176	183	192	208	220	228	259	279	300	326	346	365	384	
96"	130	136	141	147	154	164	173	180	187	197	214	225	233	267	289	310	335	358	376	397	
102"	132	137	143	150	158	167	176	185	192	201	220	231	240	274	298	320	345	369	387	409	
108"	134	140	146	153	161	172	180	189	196	207	225	236	246	284	306	328	355	380	399	422	
114"	136	141	147	155	164	176	186	194	203	217	233	247	257	296	323	345	374	401	422	447	
120"	137	144	150	158	169	179	190	199	207	221	239	253	263	305	330	355	384	412	436	461	
126"	140	146	154	161	172	185	194	203	211	226	246	259	275	313	339	366	395	423	447	473	

Finished Dimensions	Outside (OB) Mount			Inside (IB) Mount		
	Headrail Width	Blind Height	Slat Width	Headrail Width	Blind Height	Slat Width
1" Aluminum Blind – Hidden Bracket	+1/4"	Ordered Height	Ordered Width	-1/4"	Ordered Height	-1/2"

**NOTE:** Measurements represent difference of total headrail or slat width (including endcaps) from ordered width.

OPTIONS: EXTRA CHARGE
• Cordless Lift & Lock..... add \$58 each

OPTIONS: NO EXTRA CHARGE
• 2 On 1 Headrail .....price as separate blinds
• 3 On 1 Headrail.....price as separate blinds (3 On 1 Headrail not available with Cordless Lift & Lock)
• Controls – either LR, RL or grouped (Standard only)
• Hold-Down Brackets (not available with Cordless Lift & Lock)
• Extension Brackets
• Spacer Blocks
• Tile Cut-Out – max. 5-1/2" each side (not available with Cordless Lift & Lock)
• Special Wand and Cord Length

SIZE SPECIFICATIONS - Deluxe .008 Gauge, Traditional Routes		
	Standard Cordlock	Cordless Lift & Lock™
Slat width	1"	1"
Minimum width (NET)	8"	10-1/2"
Minimum height	6"	12"
Maximum width of a single blind	142"	120"
Maximum height	126"	84"
Maximum width with two on one headrail	142"	142"
Maximum width with three on one headrail	142"	n/a
Blind with tilter only – net width	8" to 10-3/8"	10-1/2" - 12-3/8" Center tilt only 12-1/2" or greater L or R tilt only
Blind must have split controls – net width	10-1/2" to 18"	
Blind with controls in any position – net width	18-1/8" or more	
Maximum square feet, single blind	124 sq. ft.	133 sq. ft.



ORDERING KEY	
Style	Code
1"	D8+Color #

• Deluxe 1" with LightsOut (D8)

WIDTH TO:	23"	26"	29"	32"	36"	40"	44"	48"	52"	57"	62"	67"	72"	82"	92"	102"	112"	122"	132"	142"
HEIGHT TO:																				
42"	\$88	91	94	98	102	107	112	115	119	126	136	141	147	169	220	233	249	266	278	291
48"	91	94	97	101	105	111	115	119	125	132	141	148	153	176	229	243	261	279	292	306
54"	94	97	100	104	109	115	119	126	130	136	147	154	160	183	239	254	275	292	306	323
60"	95	100	102	107	112	118	125	130	134	141	153	160	167	190	249	267	286	305	321	338
66"	97	101	105	109	115	123	129	133	139	146	158	165	173	197	259	277	298	319	338	355
72"	100	104	108	113	119	127	133	139	144	151	164	173	180	206	270	289	313	337	353	373
78"	125	130	136	143	150	158	167	175	182	192	207	218	228	259	279	299	327	348	367	387
84"	127	133	139	146	153	162	172	179	187	197	214	225	235	268	289	310	338	363	381	402
90"	133	140	146	153	160	171	180	187	196	206	225	236	246	279	302	327	353	379	398	420
96"	136	141	148	155	164	175	185	192	200	211	231	242	253	288	314	338	366	390	412	434
102"	139	144	151	158	169	179	189	197	206	220	238	250	260	296	326	348	377	404	426	450
108"	140	147	154	162	172	183	193	203	211	225	243	256	268	307	334	358	388	416	439	465
114"	143	150	158	167	176	190	200	210	221	233	254	270	282	326	352	380	413	441	468	496
120"	144	151	161	171	180	193	204	217	226	239	260	277	289	335	363	391	423	457	480	511
126"	147	157	164	173	186	199	208	222	232	247	268	284	300	344	374	402	437	469	497	528

Finished Dimensions	Outside (OB) Mount			Inside (IB) Mount		
	Headrail Width	Blind Height	Slat Width	Headrail Width	Blind Height	Slat Width
1" Aluminum Blind – Hidden Bracket	+1/4"	Ordered Height	Ordered Width	-1/4"	Ordered Height	-1/2"

NOTE: Measurements represent difference of total headrail or slat width (including endcaps) from ordered width.

OPTIONS: NO EXTRA CHARGE
<ul style="list-style-type: none"> <li>• 2 On 1 Headrail .....price as separate blinds</li> <li>• 3 On 1 Headrail.....price as separate blinds</li> <li>• Controls – either LR, RL or grouped (Standard only)</li> <li>• Hold-Down Brackets</li> <li>• Extension Brackets</li> <li>• Spacer Blocks</li> <li>• Tile Cut-Out – max. 5-1/2" each side</li> <li>• Special Wand and Cord Length</li> </ul>

SIZE SPECIFICATIONS - Deluxe .008 Gauge, Routeless	
	Standard Cordlock
Slat width	1"
Minimum <b>width</b> (NET)	8"
Minimum <b>height</b>	6"
Maximum <b>width</b> of a single blind	142"
Maximum <b>height</b>	126"
Maximum width with two on one headrail	142"
Maximum width with three on one headrail	142"
Blind with tilter only – net width	8" to 10-3/8"
Blind must have split controls – net width	10-1/2" to 18"
Blind with controls in any position – net width	18-1/8" or more
Maximum square feet, single blind	124 sq. ft.

# // Aluminum Blinds – Traditional Routes or LightsOut



ORDERING KEY	
Style	Code
2"	M2+Color #

## • Macro 2" with Channel Valance (M2)

WIDTH TO:	12"	24"	28"	32"	36"	40"	44"	48"	52"	57"	62"	67"	72"	82"	92"	102"	112"	122"	132"	144"	
HEIGHT TO:																					
42"	\$86	101	105	111	118	123	129	137	141	148	155	161	175	240	256	288	303	337	352	363	
48"	87	102	108	113	122	127	132	141	147	154	160	167	182	249	266	298	316	349	366	377	
54"	90	105	111	116	126	132	137	146	151	160	167	175	187	259	277	310	328	365	381	394	
60"	90	108	113	119	129	134	140	150	155	164	172	179	193	267	284	319	337	374	391	405	
66"	94	112	118	126	134	140	146	157	162	172	179	187	201	278	296	333	352	390	409	425	
72"	95	113	122	127	137	143	150	160	165	176	183	192	206	285	305	341	362	399	420	436	
78"	122	147	155	162	175	183	192	204	213	225	235	246	266	298	320	356	377	418	437	454	
84"	125	150	158	167	179	187	196	210	220	231	242	253	273	306	328	367	388	430	451	471	
90"	125	151	161	171	182	190	200	214	224	236	247	257	278	314	337	376	398	440	464	482	
96"	129	158	167	178	190	200	210	226	235	249	261	275	295	335	358	401	426	471	496	518	
102"	130	161	172	180	194	204	217	231	240	256	268	282	302	344	370	413	439	483	511	533	
108"	132	164	175	186	199	208	221	236	247	261	275	288	310	351	379	422	448	496	524	546	
114"	134	167	178	189	203	214	225	240	253	268	282	295	319	360	387	433	462	510	536	563	
120"	137	171	182	193	207	220	231	249	259	275	289	302	327	370	398	443	472	522	550	577	
126"	139	173	186	197	211	225	235	253	266	282	295	310	335	379	409	457	486	535	565	592	

Finished Dimensions	Outside (OB) Mount				Inside (IB) Mount		
	Headrail Width	Blind Height	Slat Width	Standard Returns	Headrail Width	Blind Height	Slat Width
2" Aluminum Blind – Box Bracket	-1/4"	Ordered Height	Ordered Width	2-7/8"	-3/4"	Ordered Height	-1/2"

**NOTE:** Measurements represent difference of total headrail or slat width (including endcaps) from ordered width.

OPTIONS: EXTRA CHARGE
• Cordless Lift & Lock..... add \$58 each

OPTIONS: NO EXTRA CHARGE
• 2 On 1 Headrail .....price as separate blinds
• 3 On 1 Headrail.....price as separate blinds (3 On 1 Headrail not available with Cordless Lift & Lock)
• Controls – either LR, RL or grouped (Standard only)
• Hold-Down Brackets
• Extension Brackets
• Spacer Blocks
• Tile Cut-Out – max. 5-1/2" each side (not available with Cordless Lift & Lock)
• Special Wand and Cord Length

SIZE SPECIFICATIONS - 2" Macro, Traditional Routes		
	Standard Cordlock	Cordless Lift & Lock™
Slat width	2"	2"
Minimum width (NET)	8"	10-1/2"
Minimum height	12"	12"
Maximum width of a single blind	144"	144"
Maximum height	126"	84"
Maximum width with two on one headrail	192"	144"
Maximum width with three on one headrail	192"	n/a
Blind with tilter only – net width	8" to 10-3/8"	10-1/2" - 12-3/8" Center tilt only 12-1/2" or greater L or R tilt only
Blind must have split controls – net width	10-1/2" to 18"	
Blind with controls in any position – net width	18-1/8" or more	
Maximum square feet, single blind	144 sq. ft.	133 sq. ft.

SIZE SPECIFICATIONS - 2" Macro, Routeless	
	Standard Cordlock
Slat width	2"
Minimum width (NET)	8"
Minimum height	12"
Maximum width of a single blind	144"
Maximum height	126"
Maximum width with two on one headrail	192"
Maximum width with three on one headrail	192"
Blind with tilter only – net width	8" to 10-3/8"
Blind must have split controls – net width	10-1/2" to 18"
Blind with controls in any position – net width	18-1/8" or more
Maximum square feet, single blind	144 sq. ft.

# FEATURES AND OPTIONS

## CONTROLS

Standard Cordlock	Width (NET)
Tilt only (does not lift)	8" to 10-3/8"
Split (Lift Cord L, Wand R)	10-1/2" to 18"
Any position (LR, RL, Grouped)	18-1/8" or more

Lift & Lock	Width (NET)
Center tilt only	10-1/2" to 12-3/8"
Left or Right tilt (Center tilt n/a)	12-1/2" or more

Note: Lift function is controlled by the bottomrail for Cordless Lift & Lock

## CORD AND LADDER

- Color coordinated with slats
- Cord length is approximately 1/2 the height of the blind unless otherwise specified.
- Lift cord features a color-coordinated cord connector that separates under pressure. It easily snaps together again.

## TILT WAND

Clear wand. Wand length is standard, see chart below, or select one of the other lengths available and specify that length when ordering.\*

### All 1" Blinds

Wand Length	Blind Height
12"	12" to 22"
20"	22-1/8" to 37"
30"	37-1/8" to 52"
40"	52-1/8" to 67"
50"	67-1/8" to 82"
60"	82-1/8" to 144"

\*Optional Lengths: 70", 78", 90", or 120"

### 2" Blinds

Wand Length**	Blind Height
12"	12" to 24"
20"	24-1/8" to 36"
30"	36-1/8" to 48"
40"	48-1/8" to 60"
50"	60-1/8" to 75"
60"	75-1/8" to 90"
70"	90-1/8" to 105"
78"	105-1/8" to 117"
90"	117-1/8" to 126"

\*Optional Length: 120"

\*\* Also applies to optional Cord Tilt

## MOUNTING REQUIREMENTS

	Inside (IB) Mount		Outside (OB) Mount
	Minimum Required Depth	Minimum Required Depth Flush Mount	Minimum Required Mounting Surface
Value/Basic 1"	7/8"	1-1/4"	5/8"
Traditional 1"	1-3/8"	2-1/4"	1-3/8"
Deluxe 1"	7/8"	1-3/4"	5/8"
Macro 2"	1-1/8"	3-3/8"	1-3/4"

### Center Support Brackets – All Blinds

Width	# of Brackets
48" - 84"	1
84-1/8" - 120"	2
Over 120"	3

## LADDER PLACEMENT

The following charts show the number of ladders based on blind width.

1" Blinds	
Finished Width	# of Ladders
Up to 36"	2
36-1/8" to 60"	3
60-1/8" to 84"	4
84-1/8" to 108"	5
108-1/8" to 132"	6
132-1/8" to 152"	7

2" Blinds	
Finished Width	# of Ladders
Up to 46-1/2"	2
46-5/8" to 80-1/2"	3
80-5/8" to 114-1/2"	4
114-5/8" to 144"	5

## STACKING

Add the selected style to the Blind Stack

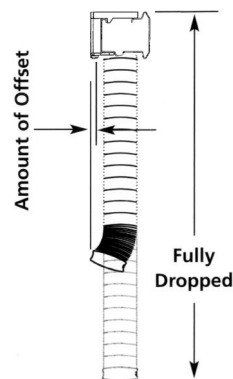
Headrail/Bottomrail	1" Blinds
Value/Basic	1-1/2"
Traditional	1-1/2"
Deluxe	2"
+	+
Each 12" of Blind Height	3/8"

Blind Height	2" Blinds (approx)
36"	4-1/2"
48"	4-3/4"
60"	5"
72"	5-1/4"
84"	5-1/2"
96"	5-3/4"
108"	6"
120"	6-1/4"
126"	6-1/2"

For Lift & Lock add an additional 3/4" to the total.

## DELUXE 1" BLIND OFFSET STACKING

Length of Offset	Amount of Offset
12"	1/4"
24"	7/16"
36"	9/16"
48"	11/16"
60"	3/4"
72"	13/16"
84"	13/16"
96"	7/8"
108"	7/8"
120"	7/8"



# PRODUCT SPECIFICATIONS

FEATURES	Value	Basic	Traditional	
	1" .006 GAUGE	1" .006 GAUGE	1" .006 GAUGE	1" .008 GAUGE
# of Colors	6	31	26	31
Slat Gauge	0.006	0.006	0.006	0.008
Dust-Resistant Finish	Yes	Yes	Yes	Yes
Headrail Size	1" X 1"	1" X 1"	1" X 1-1/2"	1" X 1-1/2"
Headrail Gauge	0.024	0.024	0.024	0.024
Bottomrail - <b>Standard</b>	Lockseam	Lockseam	Lockseam	Lockseam
Bottomrail - <b>Lift &amp; Lock</b>	The cordless Lift & Lock™ operating system comes with a <b>coordinating</b> aluminum bottomrail. Please refer to the Lift & Lock Bottomrail Color listing for the coordinating rail color.			
Lightsout Feature	N/A	N/A	N/A	N/A
Bracket Style	Box	Box	Box	Box
Cord Size	1.4 mm	1.4 mm	1.4 mm	1.4 mm
Ladder Spacing	23 mm	22 mm	22 mm	22 mm
Wand	Clear, Standard	Clear, Standard	Clear, Standard	Clear, Standard
Cord Tilter	N/A	N/A	N/A	N/A
Valance Style	2 Slats in Clips	2 Slats in Clips	2 Slat Channel Valance	2 Slat Channel Valance
Headrail End Stiffener	Yes	Yes	Yes	Yes
Cord Connector	Colored	Colored	Colored	Colored
<b>OPTIONS</b>				
Cordless Lift & Lock™	Yes	Yes	Yes	Yes
2 or 3 on 1 Headrail* - 3 on 1 headrail <b>not available</b> with Cordless Lift & Lock	Yes	Yes	Yes	Yes
Control Positions (LR, RL, Grouped)	Yes	Yes	Yes	Yes
Extension Brackets	Yes	Yes	Yes	Yes
Hold-down Brackets - <b>not available</b> with 1" Cordless Lift & Lock	Yes	Yes	Yes	Yes
Spacer Blocks	Yes	Yes	Yes	Yes
Tile Cut-out - <b>not available</b> with Cordless Lift & Lock	Yes	Yes	Yes	Yes
<b>SIZE SPECIFICATIONS</b>				
Slat width	1"	1"	1"	1"
<b>Standard Lift Cords</b>				
Minimum width (NET)	8"	8"	8"	8"
Minimum height	6"	6"	6"	6"
Maximum width of a single blind	144"	144"	152"	152"
Maximum height	126"	126"	126"	126"
Maximum width with 2 or 3 on 1 headrail	144"	144"	152"	152"
Maximum width end mount	48"	48"	48"	48"
Blind with tilter only – net width	8" to 10-3/8"	8" to 10-3/8"	8" to 10-3/8"	8" to 10-3/8"
Blind must have split controls – net width	10-1/2" to 18"	10-1/2" to 18"	10-1/2" to 18"	10-1/2" to 18"
Blind can have controls in any position – net width	18-1/8" to 144"	18-1/8" to 144"	18-1/8" to 152"	18-1/8" to 152"
Maximum square feet, single blind	133 sq. ft.	133 sq. ft.	133 sq. ft.	133 sq. ft.
<b>Cordless Lift &amp; Lock™</b>				
Minimum width (NET)	10-1/2"	10-1/2"	10-1/2"	10-1/2"
Maximum width of a single blind	120"	120"	120"	120"
Minimum height	12"	12"	12"	12"
Maximum height	84"	84"	84"	84"
Maximum width Cordless Lift & Lock w/ 2 on 1	144"	144"	142"	142"
Maximum width end mount	N/A	N/A	N/A	N/A
Center tilt only – NET width	10-1/2" to 12-3/8"	10-1/2" to 12-3/8"	10-1/2" to 12-3/8"	10-1/2" to 12-3/8"
Left or Right tilt only - NET width	12-1/2" or more	12-1/2" or more	12-1/2" or more	12-1/2" or more
Maximum square feet, single blind	133 sq. ft.	133 sq. ft.	133 sq. ft.	133 sq. ft.

\* 2 or 3 Blinds On 1 Headrail – a crating surcharge may be assessed, see General Information section for shipping related surcharges

# PRODUCT SPECIFICATIONS

FEATURES	Deluxe	Macro
	1" .008 GAUGE	2" .008 GAUGE
# of Colors	51	18
Slat Gauge	0.008	0.008
Dust Resistant Finish	Yes	Yes
Headrail Size	1-1/4" X 1-1/2"	2-1/4" X 1-1/2"
Headrail Gauge	0.024	0.024
Bottomrail - <b>Standard</b>	Lockseam	Lockseam
Bottomrail - <b>Lift &amp; Lock</b>	The cordless Lift & Lock™ operating system comes with a <b>coordinating</b> aluminum bottomrail. Please refer to the Lift & Lock Bottomrail Color listing for the coordinating rail color.	
Lightsout Feature - <b>not available</b> with Cordless Lift & Lock	Available	Available
Bracket Style	Hidden	Box
Cord Size	1.4 mm	1.4 mm
Ladder Spacing	22 mm	42 mm
Wand Tilt	Clear, Standard	Clear, Standard
Valance Style	Built-in	Channel Valance
Headrail End Stiffener	n/a	Yes
Cord Connector	Colored	Colored
<b>OPTIONS</b>		
Cordless Lift & Lock™	Yes	Yes
2 or 3 on 1 Headrail* - 3 on 1 headrail <b>not available</b> with Cordless Lift & Lock	Yes	Yes
Control Positions (LR, RL, Grouped)	Yes	Yes
Cord Tilt	N/A	Yes
Extension Brackets	Yes	Yes
Hold-down Brackets - <b>not available</b> with 1" Cordless Lift & Lock	Yes	Yes
Spacer Blocks	Yes	Yes
Tile Cut-out - <b>not available</b> with Cordless Lift & Lock	Yes	Yes
<b>SIZE SPECIFICATIONS</b>		
Slat width	1"	2"
<b>Standard Lift Cords</b>		
Minimum width (NET)	8"	8"
Minimum height	6"	12"
Maximum width of a single blind	142"	144"
Maximum height	126"	126"
Maximum width with 2 or 3 on 1 headrail	142"	192"
Blind with tilter only – net width	8" to 10-3/8"	8" to 10-3/8"
Blind must have split controls – net width	10-1/2" to 18"	10-1/2" to 18"
Blind can have controls in any position – net width	18-1/8" to 142"	18-1/8" to 144"
Maximum square feet, single blind	124 sq. ft.	144 sq. ft.
<b>Cordless Lift &amp; Lock™</b>		
Minimum width (NET)	10-1/2"	10-1/2"
Minimum height	12"	12"
Maximum width of a single blind	120"	144"
Maximum height	84"	84"
Maximum width 2 on 1 headrail	142"	144"
Maximum square feet, single blind	124 sq. ft.	144 sq. ft.
Center tilt only – NET width	10-1/2" to 12-3/8"	10-1/2" to 12-3/8"
Left or Right tilt only - NET width	12-1/2" or more	12-1/2" or more
Maximum square feet, single blind	124 sq. ft.	144 sq. ft.

\* 2 or 3 Blinds On 1 Headrail – a crating surcharge may be assessed, see General Information section for shipping related surcharges



# CORDLESS LIFT & LOCK™ BOTTOMRAIL COLOR CHART



The cordless Lift & Lock™ operating system comes with a coordinating aluminum bottomrail in the color listed below. There are **more slat colors than** available rail colors, please review the rail colors listed below when ordering. Rail colors listed can be found in the Aluminum sample deck.

**NOTE:** Due to color availability in each size rail, there are cases where the 1" and 2" slats in the same color will have different color bottomrails.

COLOR NAME						All 1" Styles		All 2" Blinds		
	Deluxe Collection	Traditional Collection		Value Collection	Basic Collection	Cordless Lift & Lock Bottomrail		Macro Collection	Cordless Lift & Lock Bottomrail	
	1" .008 GAUGE	1" .006 GAUGE	1" .008 GAUGE	1" .006 GAUGE	1" .006 GAUGE	Color	Color #	2" .008 GAUGE	Color	Color #
Alabaster	D8002	T6002	T8002	V6002	B6002	Alabaster	002	M2002	Alabaster	002
Antique	D8973	T6973	T8973		B6973	Alabaster	002	M2973	Antique	973
Antique Perforated	D8973P		T8973P			Alabaster	002			
Ash	D8913					Mercury	276			
Beige	D8186	T6186	T8186		B6186	Alabaster	002	M2186	Alabaster	002
Biscuit	D8315					Alabaster	002			
Bisque	D8269	T6269	T8269		B6269	Plaster	127	M2269	Antique	973
Black	D8048	T6048	T8048		B6048	Black	048	M2048	Black	048
Black Perforated	D8048P		T8048P			Black	048			
Bright Aluminum	D8190	T6190	T8190		B6190	Brushed Aluminum	065	M2190	Brushed Aluminum	065
Brushed Aluminum	D8065	T6065	T8065	V6065	B6065	Brushed Aluminum	065			
Brushed Aluminum Perforated	D8065P		T8065P			Brushed Aluminum	065			
Brushed Nickel Texture	D8262		T8262			Brushed Aluminum	065			
Burgundy	D8188					Alabaster	002			
Canvas	D8830	T6830	T8830		B6830	Alabaster	002	M2830	Alabaster	002
Chalk White	D8885	T6885	T8885		B6885	Pure White	125	M2885	Snow Gloss	110
Char Brown	D8064	T6064	T8064	V6064	B6064	Char Brown	064	M2064	Char Brown	064
Char Brown Matte	D8254					Char Brown	064			
Classic Red	D8916					Alabaster	002			
Clay	D8180	T6180	T8180		B6180	Graystone	748			
Cobalt Blue	D8280					Mercury	276			
Cobblestone	D8318	T6318	T8318		B6318	Graystone	748			
Country Beige	D8319					Plaster	127			
Eggshell	D8173				B6173	Alabaster	002	M2173	Alabaster	002
Evening Snow	D8385					Plaster	127			
Fawn	D8205	T6205	T8205		B6205	Alabaster	002	M2205	Alabaster	002
Forest	D8413	T6413	T8413		B6413	Alabaster	002			
Graphite	D8983					Black	048			
Graystone	D8748	T6748	T8748		B6748	Graystone	748	M2748	Brushed Aluminum	065
Kaolin Pearl	D8711	T6711	T8711		B6711	Plaster	127			
Light Caffe	D8914					Mercury	276			
Linen	D8270				B6270	Plaster	127	M2270	Antique	973
Mercury	D8276				B6276	Mercury	276			
Opal	D8001	T6001	T8001		B6001	Pure White	125			
Parchment	D8402					Alabaster	002			
Pearl	D8974	T6974	T8974		B6974	Plaster	127	M2974	Pearl	974
Pewter Gray	D8405				B6405	Mercury	276			
Plaster	D8127	T6127	T8127	V6127	B6127	Plaster	127			
Pumice	D8203					Alabaster	002			
Pure White	D8125	T6125	T8125	V6125	B6125	Pure White	125	M2125	Snow Gloss	110
Quartz	D8018	T6018	T8018		B6018	Snow Gloss	110	M2018	Snow Gloss	110
River Log	D8917					Char Brown	064			
Seashell	D8795	T6795	T8795		B6795	Pure White	125			
Sierra	D8820	T6820	T8820		B6820	Black	048			
Snow Gloss	D8110	T6110	T8110	V6110	B6110	Snow Gloss	110	M2110	Snow Gloss	110
Snow Gloss Perforated	D8110P		T8110P			Snow Gloss	110			
Soft Taupe	D8361					Char Brown	064			
Sprig	D8919					Alabaster	002			
Talc	D8981				B6981	Pure White	125			
Tusk	D8268	T6268	T8268		B6268	Plaster	127			
Vanilla	D8350	T6350	T8350		B6350	Alabaster	002	M2350	Alabaster	002

**NOTE:** Bottomrail colors are pre-selected. Hardware color override is not available.

# PRODUCT COMPONENTS – 1" VALUE/BASIC BLIND

## Extension Bracket

### Long

Part #KIT-AB-004 (2PK)  
Part #KIT-AB-005 (3PK)

### Short

Part #KIT1309 (2PK)  
Part #KIT1310 (3PK)

Extension  
Bracket Screw  
and Nut

Valance Clip  
Part #KIT1009 (2PK)  
Part #KIT1010 (3PK)

Separator Snap-In  
(Part #5008065000)

Box Installation Bracket  
(Part #5008037-COLOR)

Tape Roll (Part  
#5908570000)

Cordlock Snap-In  
(Part #5008564000)

Cordlock Adaptor  
(Part #)

Tape Roll Support  
(Part #5908573000)

Intermediate  
Support Bracket  
(Part #KIT1016)

Wand Tilter  
(Part #5605580000)

Lift Cord 1.4mm  
(Part #5009075981)

Headrail  
(Part #5008006-COLOR)

End Lock  
(Part #5008542000)

Cord Connector  
(Part #7007636-COLOR)

Slat  
(Part #5501360-COLOR-H)

Lift Cord  
(Part #5009075981)

Tassel  
(Part #2930770000)

Ladder

Tape Spacer  
(Part #5008036000)

Wand (12": Part #5008508000)  
Wand (20": Part #5008501000)  
Wand (30": Part #5008502000)  
Wand (40": Part #5008503000)  
Wand (50": Part #5008504000)  
Wand (60": Part #5008505000)  
Wand (70": Part #5008508000)  
Wand (78": Part #5008578000)  
Wand (90": Part #5008506000)  
Wand (120": Part #5008507000)

Bottom Rail  
(Part #5009029-COLOR)

Tape Button  
(Part #5009035-COLOR)

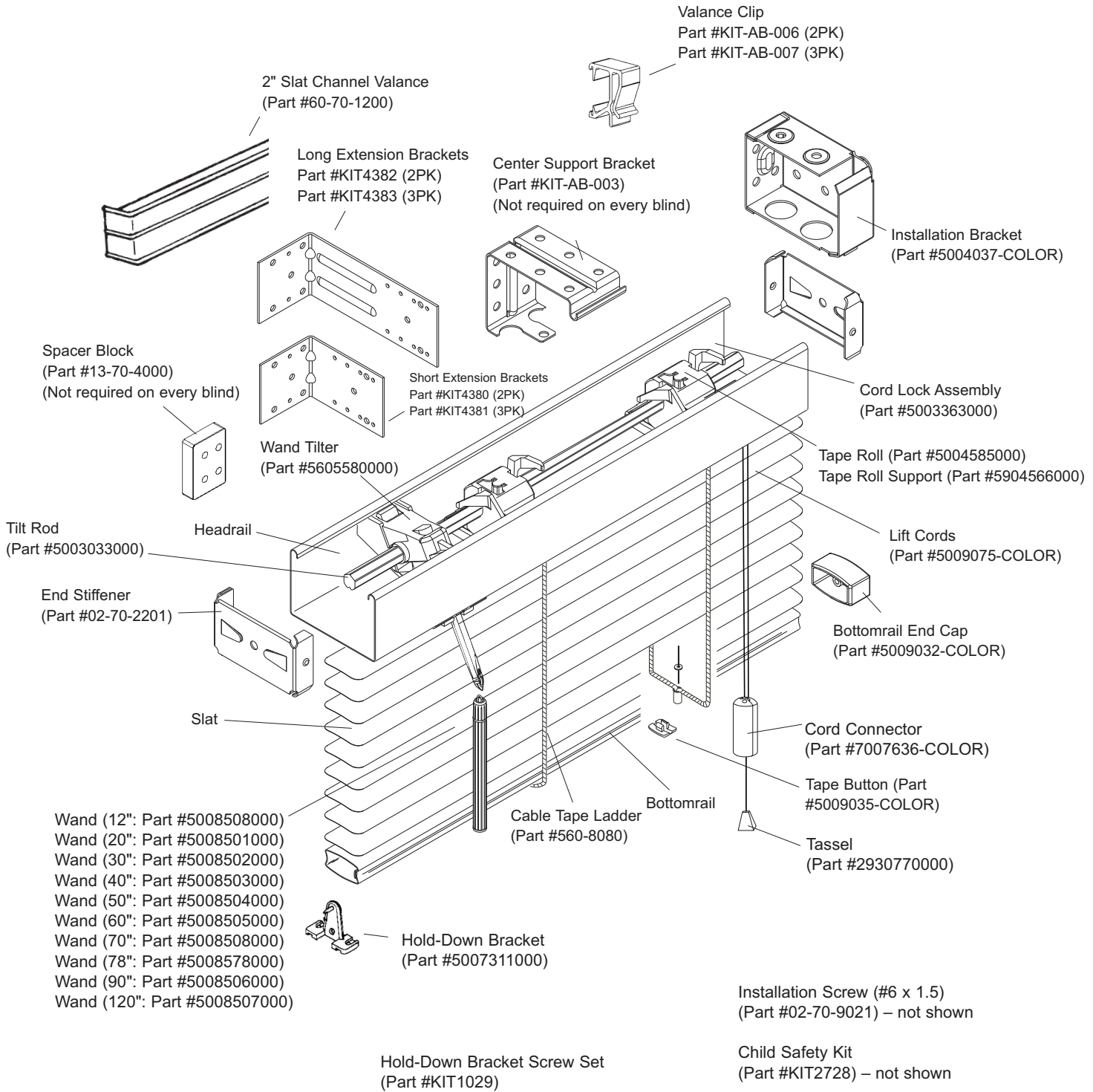
Bottom Rail End Cap  
(Part #5009033-COLOR)

Child Safety Kit  
(Part #KIT2728) – not shown

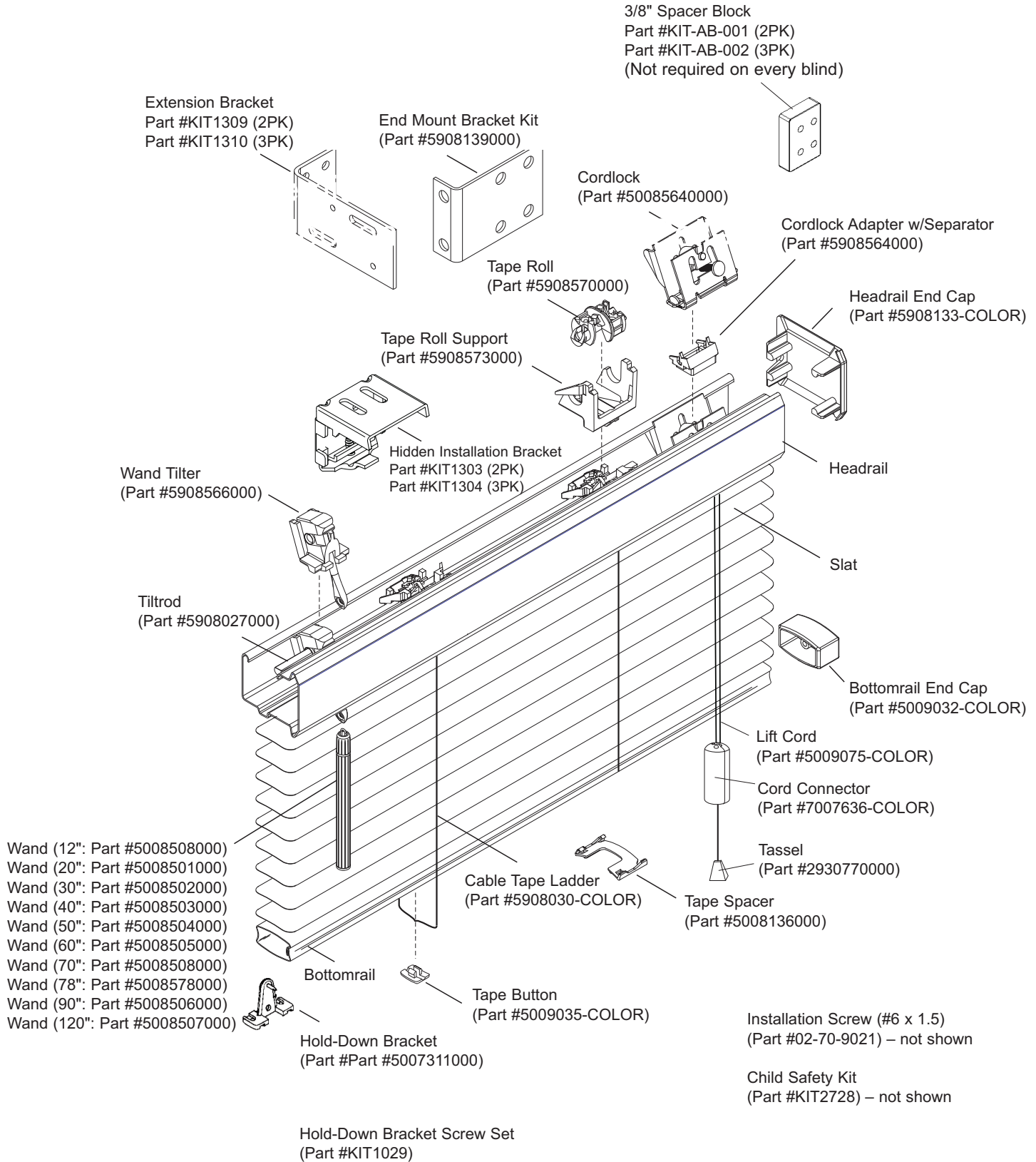
Hold-Down Bracket Screw Set  
(Part #KIT1029)

Hold-Down Bracket  
Sill (Part #5007313000)  
Jamb (Part #5007312000)

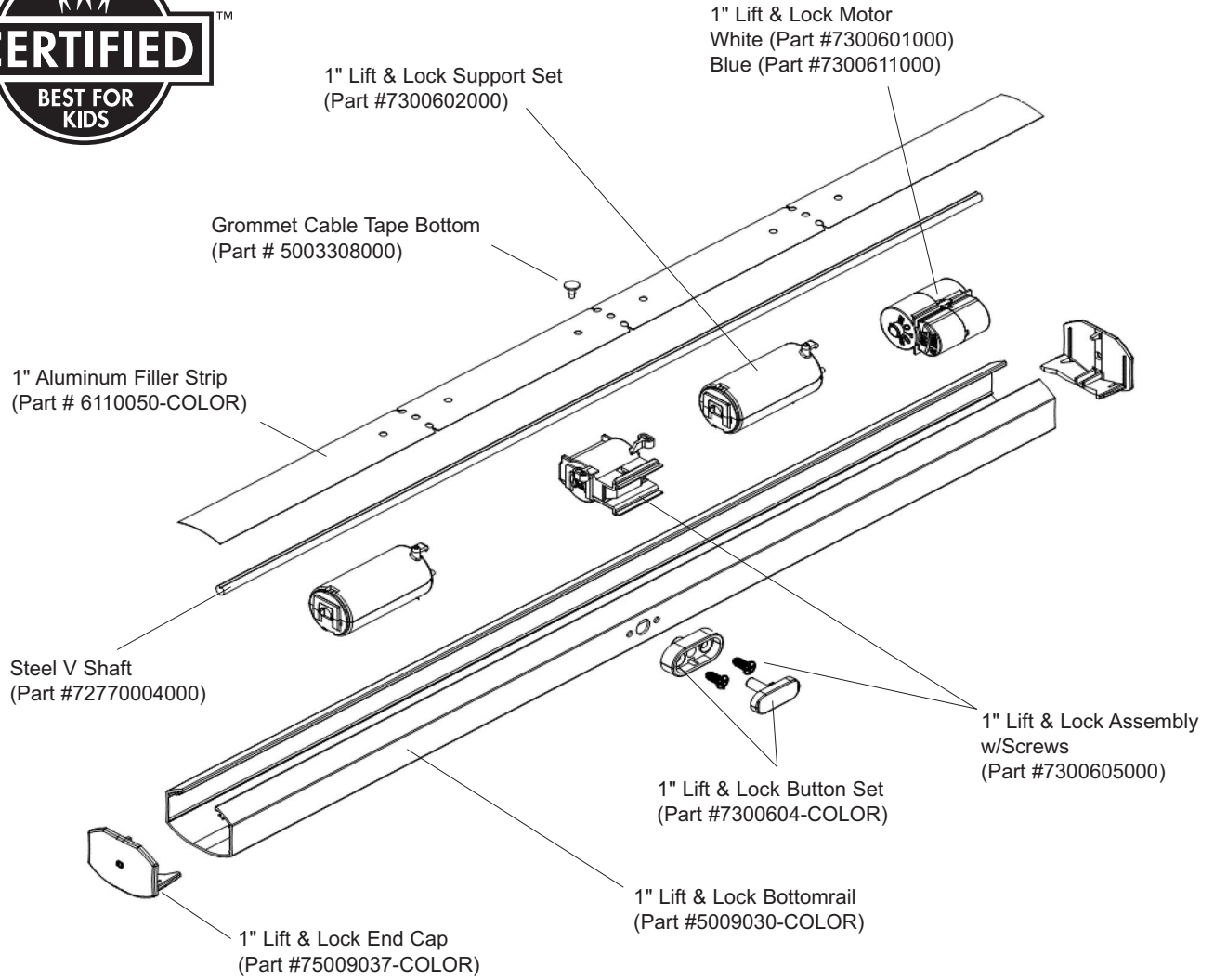
# PRODUCT COMPONENTS – 1" TRADITIONAL BLIND



# PRODUCT COMPONENTS – 1" DELUXE BLIND



**PRODUCT COMPONENTS – ALL 1" CORDLESS LIFT & LOCK™**

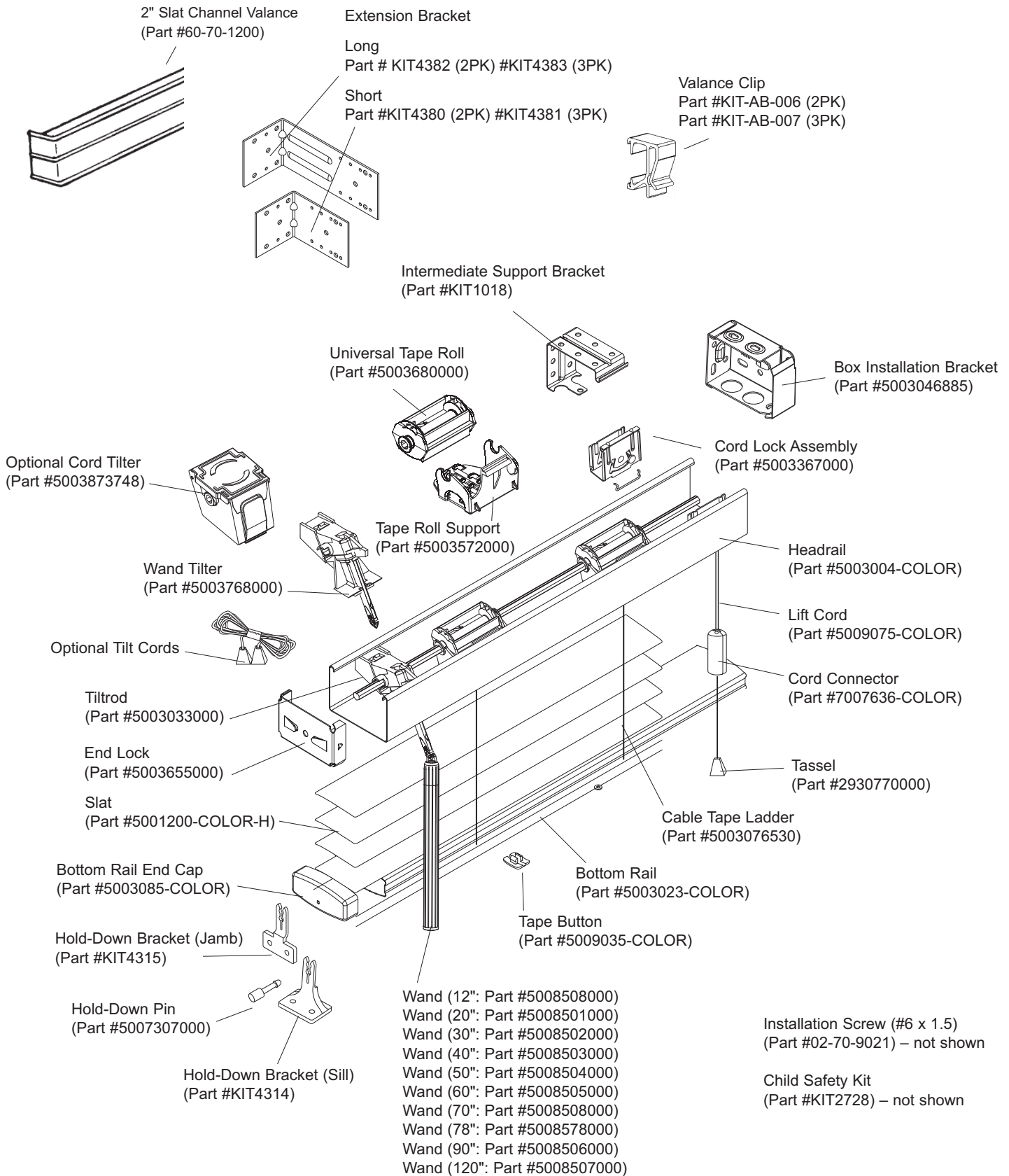


Pocket/Ferrule Clear (Part #3200156000C)  
Included in headrail for skew adjustment

NOTE: Components shown are for the 1" Lift & Lock bottomrail. With the exception of the pocket & ferrule, all headrail components are the same as standard blinds.



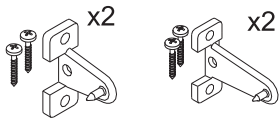
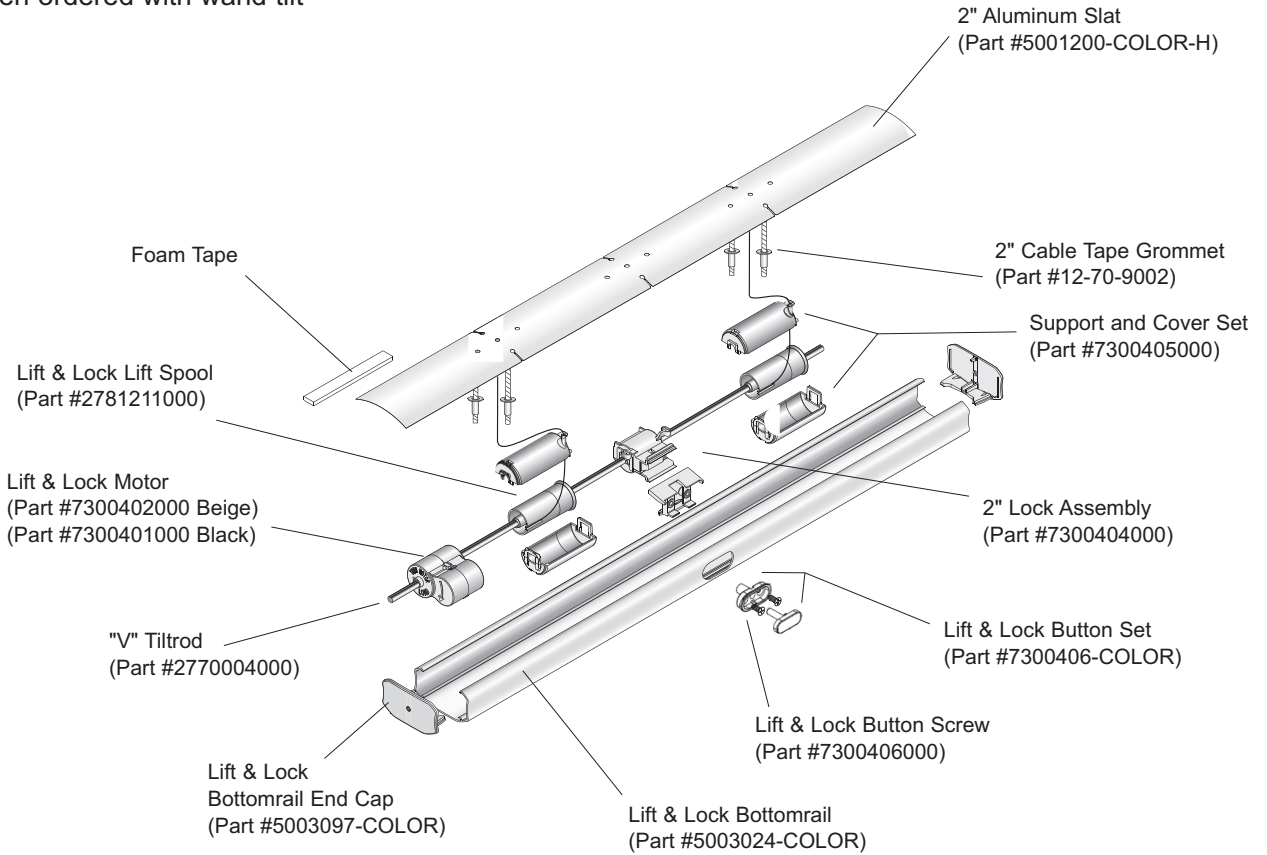
# PRODUCT COMPONENTS – 2" MACRO BLIND



# PRODUCT COMPONENTS – 2" MACRO WITH CORDLESS LIFT & LOCK™



\*when ordered with wand tilt



x2  
 Hold Down Brackets for 2" Macro  
 Cordless Lift & Lock  
 Sill - 3/8" (Part #KIT2009)  
 Jamb - 3/4" (Part #KIT2010)



Cord Skew Adjuster (Part #7300501000)  
 Included in headrail for skew adjustment

NOTE: Components shown are for the 2" Lift & Lock bottomrail. With the exception of the skew adjuster, all headrail components are the same as standard blinds.