

**LEGEND**

- BUILDINGS
- EXISTING RIGHT OF WAY
- PROPOSED RIGHT OF WAY
- PROPOSED EASEMENTS (DRAINAGE, CONSTRUCTION, AND UTILITIES)
- EXISTING ROADWAY
- EXISTING ROADWAY TO BE REMOVED
- EXISTING ROADWAY TO BE RESURFACED
- PROPOSED ROADWAY
- PROPOSED I-3802B
- PROPOSED GRASS MEDIAN
- TEMPORARY ROADWAY / DETOURS
- PROPOSED STRUCTURES, ISLAND, SIDEWALK, CURB AND GUTTER
- EXISTING STRUCTURES TO BE RETAINED
- EXISTING STRUCTURES TO BE REMOVED
- HISTORIC PROPERTY
- LAKES, RIVER, STREAMS AND PONDS
- RAILROAD RIGHT OF WAY
- EXISTING UTILITY EASEMENT
- CEMETERIES
- PROPOSED RIGHT OF WAY
- PROPOSED FULL CONTROL OF ACCESS
- EXISTING FULL CONTROL OF ACCESS
- PRESENT ADT
- FUTURE ADT
- PROPERTY LINES
- EXISTING TRAFFIC SIGNAL
- PROPOSED TRAFFIC SIGNAL
- CITY LIMITS BOUNDARY
- WETLAND LIMITS BOUNDARY
- WATERSHED AREA
- NOISE STUDY AREA

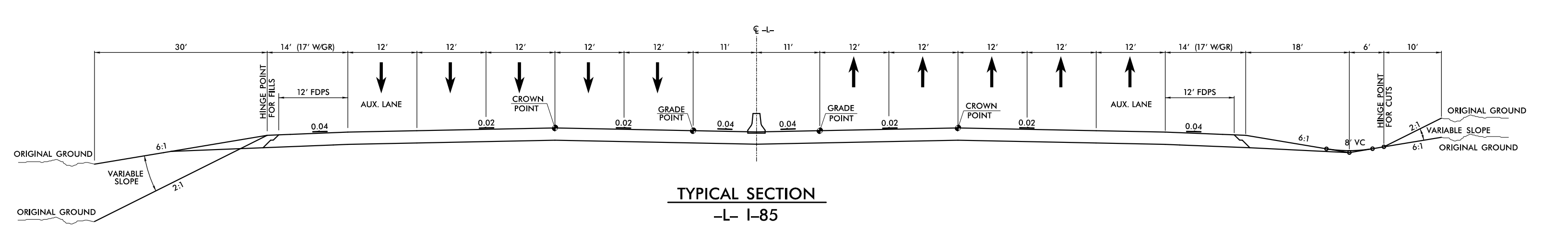
**DESIGN DATA**

Functional Class. = Interstate  
 Design Speed = 70 mph  
 Max. Superelev. = 0.08

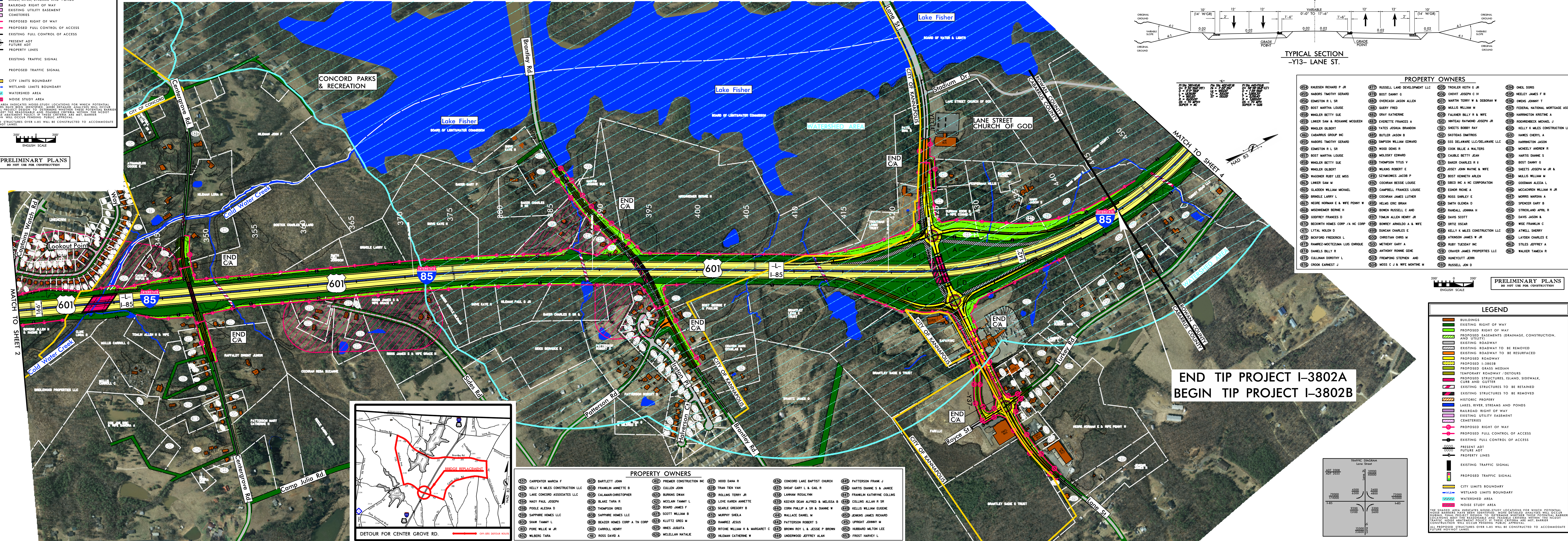
**ORTHO PHOTO DATA**

Flight Mission = M-6729  
 Flight Date = 4-5-2007

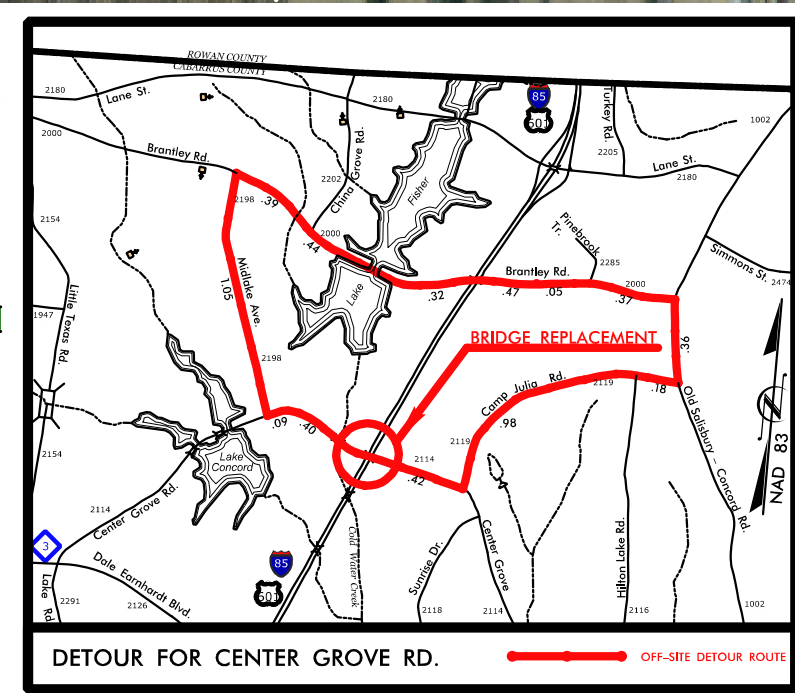
**PUBLIC MEETING MAP**  
 PROJECT 36780.1.1 (I-3802A-2007)  
 F.A. PROJECT FANHIMF-085-2(61)55  
**CABARRUS AND ROWAN COUNTIES**  
 I-85 WIDENING AND INTERCHANGE  
 IMPROVEMENTS FROM NORTH OF  
 NC 73 TO US 29-601 CONNECTOR  
 ROLL 3 OF 5



**NOTE:**  
 Full Control of Access is defined as a connection to a facility provided only via ramps at interchanges. All cross-streets are grade-separated. No private driveway connections are allowed.



**END TIP PROJECT I-3802A**  
**BEGIN TIP PROJECT I-3802B**



**PROPERTY OWNERS**

331 CARPENTER MARCIA F	351 BARTLETT JOHN	371 PREMIER CONSTRUCTION INC	391 HOOD DANA R	411 CONCORD LAKE BAPTIST CHURCH	431 PATTERSON FRANK J
332 KELLY K MILES CONSTRUCTION LLC	352 FRANKLIN ANNETTE B	372 CULLEN JOHN	392 TRAN TIEN VAN	412 SHOFF GARY L & GAIL R	432 HARTIS DIANNE S & JANICE
333 LAKE CONCORD ASSOCIATES LLC	353 BALAMAR CHRISTOPHER	373 BURKINS JOHN	393 ROLLINS TERRY JR	413 LANHAM ROSALYNN	433 FRANKLIN KATHRYNE COLLINS
334 NANCY PAUL JOSEPH	354 BLAKE TARA R	374 MCCLAIN TAMMY L	394 LOVE KAREN ANNETTE	414 KEEVER DEAN ALFRED & MELISSA B	434 COLLINS ALLAN R SR
335 POOLE ALESIA D	355 THOMPSON GREG	375 BOARD JAMES F	395 SEARLE GREGORY B	415 CORN PHILLIP A SR & DIANNE W	435 KELLIS WILLIAM EDGAR
336 SAPPHIRE HOMES LLC	356 SAPPHIRE HOMES LLC	376 SCOTT WILLIAM B	396 MURPHY SHELIA	416 WALLACE DANIEL M	436 JENKINS JAMES ROHARD
337 SHAW TAMMY L	357 BEAZER HOMES CORP A TN CORP	377 RAMIREZ JESUS	397 PATTERSON ROBERT S	417 UPRIGHT JOHNNY M	437 KLUTZ GREG M
338 PORE WILLE M JR	358 CARROLL HENRY	378 HINES JOQUITA	398 RITCHE WILLIAM H & MARGARET C	418 BROWN ROY L & JESSE P BROWN	438 HUBBARD MILTON LEE
339 WILBERG TARA	359 ROSS DAVID A	379 MCLELLAN NATALE	399 HILMAN CATHERINE W	419 UNDERWOOD JEFFREY ALAN	439 FROST HARVEY L