



AMERICAN ELECTRIC EQUIPMENT, INC.

P.O. BOX 710 BECKLEY, WV 25801

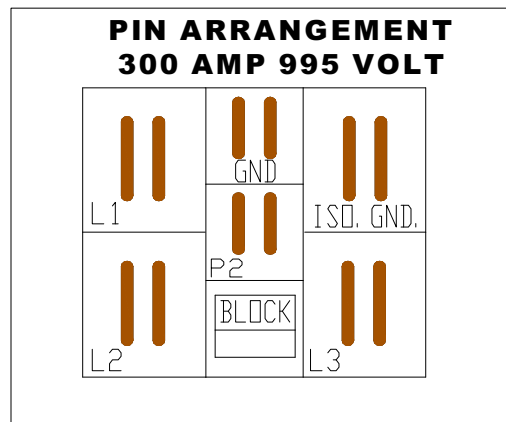
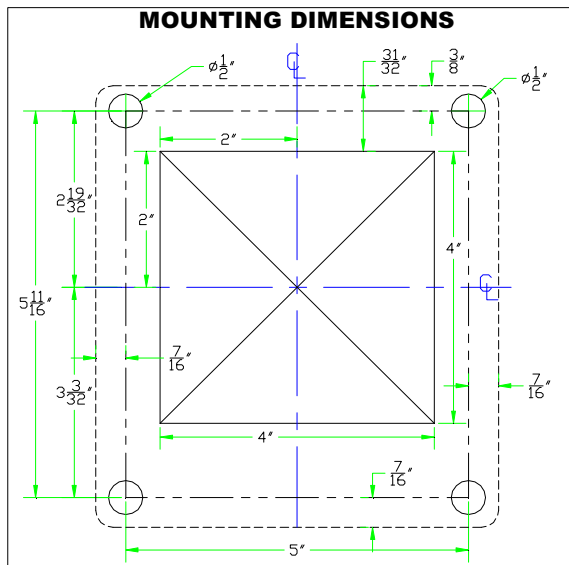
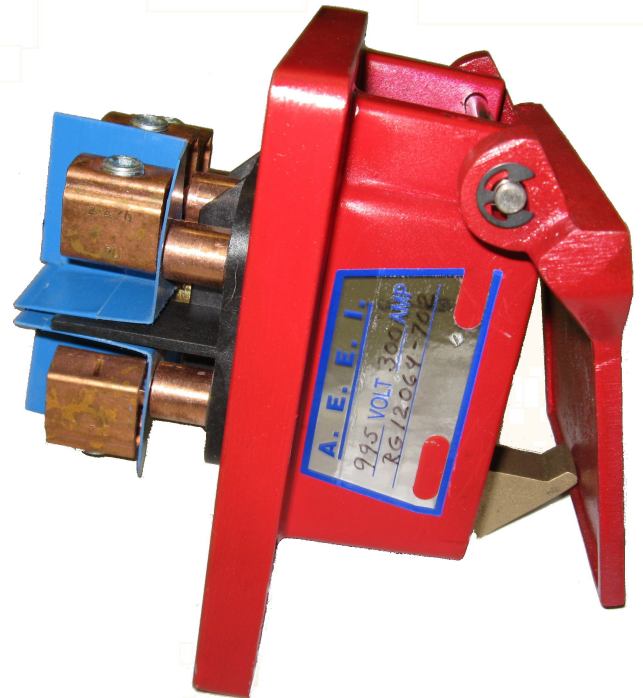
PHONE: 304-255-7438

FAX: 304-255-7448

RG12064-702

Document A-13622

July 16, 2013

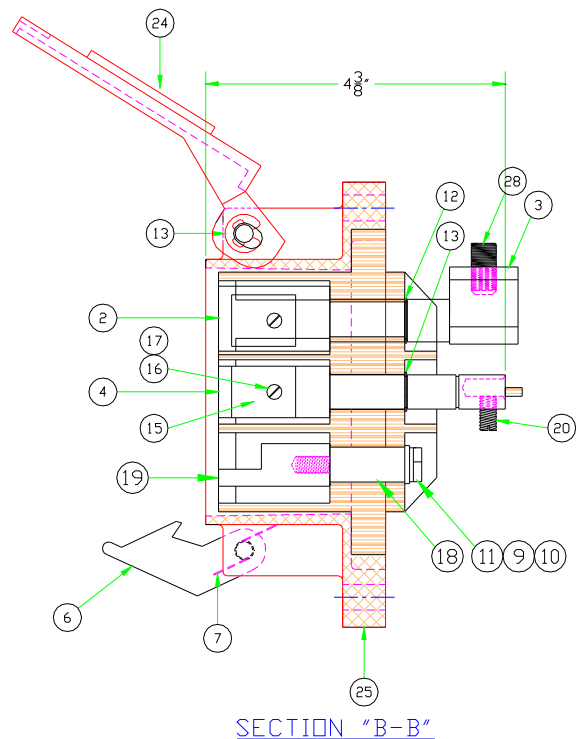
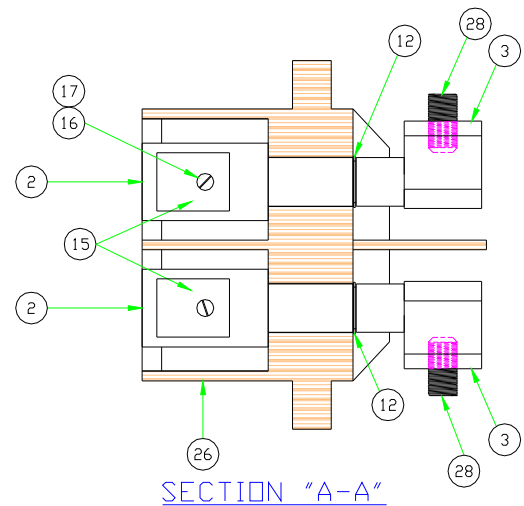
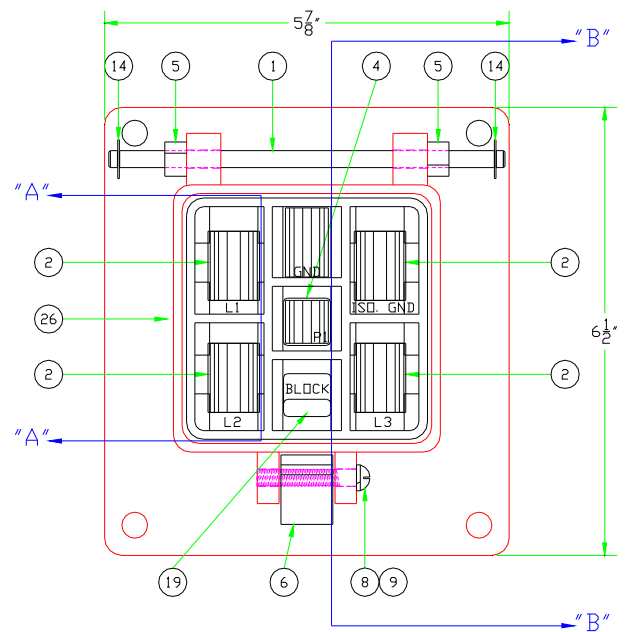


Lever Action Connectors

AEEI's low voltage figure 702 connectors are rugged, trouble free devices providing quick, confident connect/disconnect for portable mining equipment or self-propelled machinery. They are rated 300 Amperes at 995 VAC. Cable sizes range from #6 to 2/0 AWG.

Available Repair Parts List

Item	Quantity	Part Number	Description
1	1	10939	ROLL PIN
2	5	10936	POWER & GROUND BLADE
3	5	102	POWER & GND. BLADE - STUD TERMINAL
4	2	10937	PILOT BLADE & STUD SPACERS
5	2	11470	5/16 NC NUT
6	1	069	BOTTOM LATCH
7	1	066	SPRING
8	1	11471	RD. HD. MACHINE SCREW 1/4-20 X 1 1/2" PL.
9	2	11472	1/4" LOCK WASHER
10	1	2067-1	1/4" FLAT WASHER
11	1	2084-4	1/4-20 x 1-1/2" HEX HEAD MACH. SCREW
12	5	2064-1	5/8" ROTOR CLIP
13	2	2064-2	1/2" ROTOR CLIP
14	2	10938	RETAINING RING E-25
15	12	2076-1	PHASE AND PILOT BLADE CLIPS
16	6	2069-1	SLOTTED HEX HEAD MACHINE SCREW 10/32 X 3/4 LG. PL.
17	6	10940	10-32 LOCK NUTS
18	1	2821-1	LOWER BLOCKING STUD INTERLOCK TUBING
19	1	2823-2	LOWER BLOCKING STUD INTERLOCK
20	1	11473	SLOTTED HEAD SET SCREW 1/4-20 x 1/2" PL.
21	1	582	RIGHT HAND TERMINAL INSULATOR
22	2	582-1	LEFT HAND TERMINAL INSULATOR
23	1	11375	ALTERNATE DUST COVER
24	1	003	DUST COVER
25	1	002-1	BASE
26	1	001-1	INSULATOR
27	1	714	IDENTIFICATION STICKER
28	5	2694	7/16" 20 X 3/4" ALLEN HEAD SET SCREW



Available Repair Kits

Part Number	Qty.	Description	Drawing Number
003-1-KIT		Complete Kit For 67 Receptacle	
		Parts Included In Kit	
	1	DUST COVER	A-11375 or C-003
	1	ROLL PIN	A-10939
	2	ROTOR CLIP E-25	A-10938
	2	5/16" NC NUTS	A-11470
	1	BOTTOM LATCH	A-069
	1	RD. HD. MACHINE SCREW 1/4-20 X 1 1/2" PL.	A-11471
	1	1/4" LOCK WASHER	A-11472
	1	SPRING	A-066
003-KIT		Dust Cover Kit For 67 Receptacle	
		Parts Included In Kit	
	1	DUST COVER	A-11375 or C-003
	1	ROLL PIN	A-10939
	2	5/16" NC NUTS	A-11470
	2	ROTOR CLIP E-25	A-10938
069-KIT		Bottom Latch Kit For 67 Receptacle	
		Parts Included In Kit	
	1	BOTTOM LATCH	A-069
	1	RD. HD. MACHINE SCREW 1/4-20 X 1 1/2" PL.	A-11471
	1	1/4" LOCK WASHER	A-11472
	1	SPRING	A-066

Features

- ✓ Single-piece, high grade insulator
- ✓ Aluminum housing
- ✓ All live exposed parts are completely enclosed by the metal housing
- ✓ Captive dust covers standard on gear mounted receptacle
- ✓ Minimum effort required to connect or disconnect electrical connections.
- ✓ The ground blade is always the last to break, first to make
- ✓ Ground check circuits make last, break first to insure phase connections are de-energized when connector opens
- ✓ Self-wiping contacts insure good electrical connections after each operation
- ✓ Interchangeable with other industry standard figure 702 receptacles