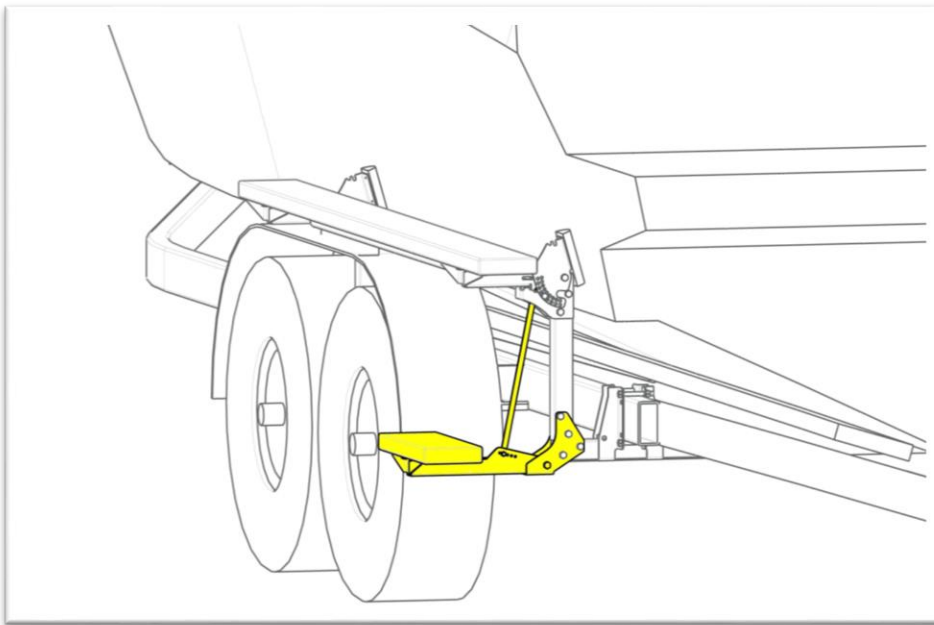


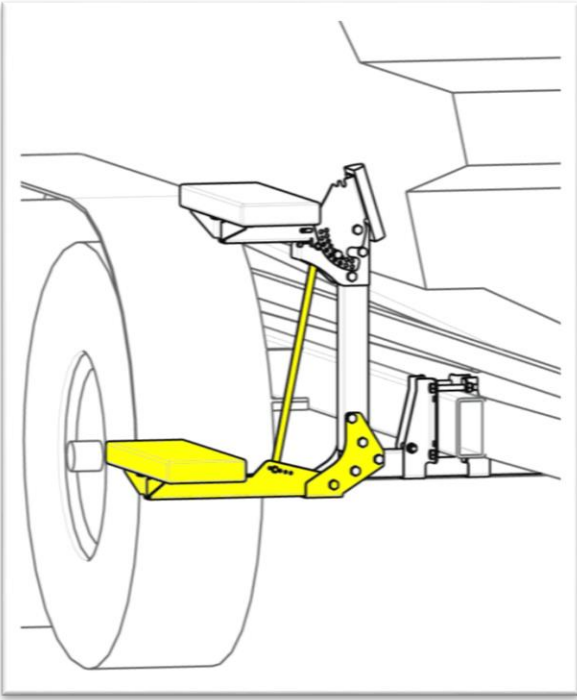
SKU004 “Step Two” lower step Add-On

- Specifications:
- Must be mounted to SKU002 or SKU003
 - Step is 16” long and 19” above the ground
 - 250 lb weight capacity

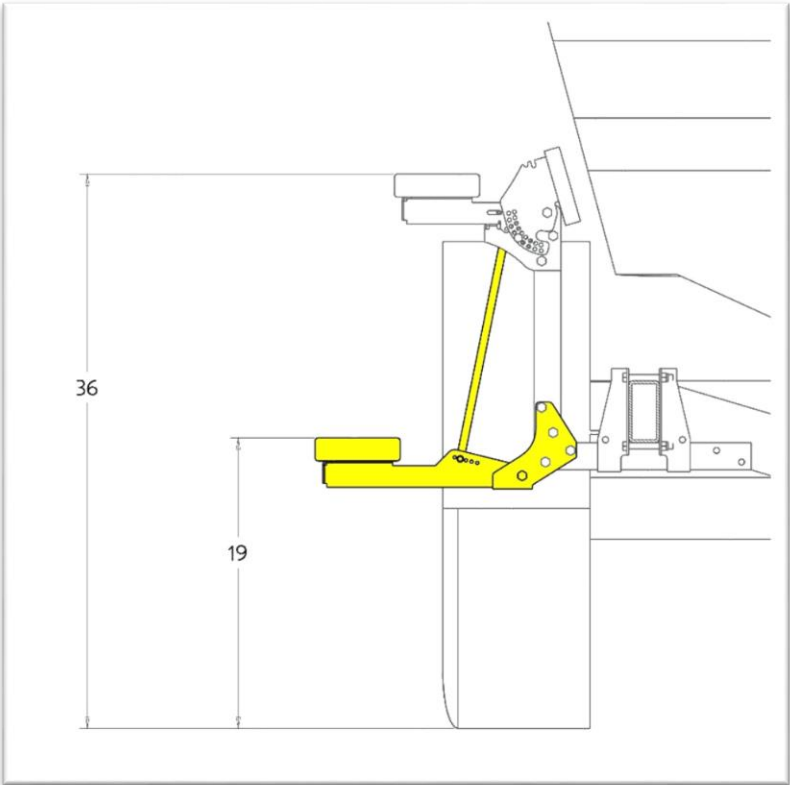
- Applications:
- This is an add-on step for SKU002 and SKU003
 - This step is linked to the upper step so it pivots up and down along with the upper.



“Step Two” on SKU002



“Step Two” on SKU003



“Step Two” is typically 19” off the ground