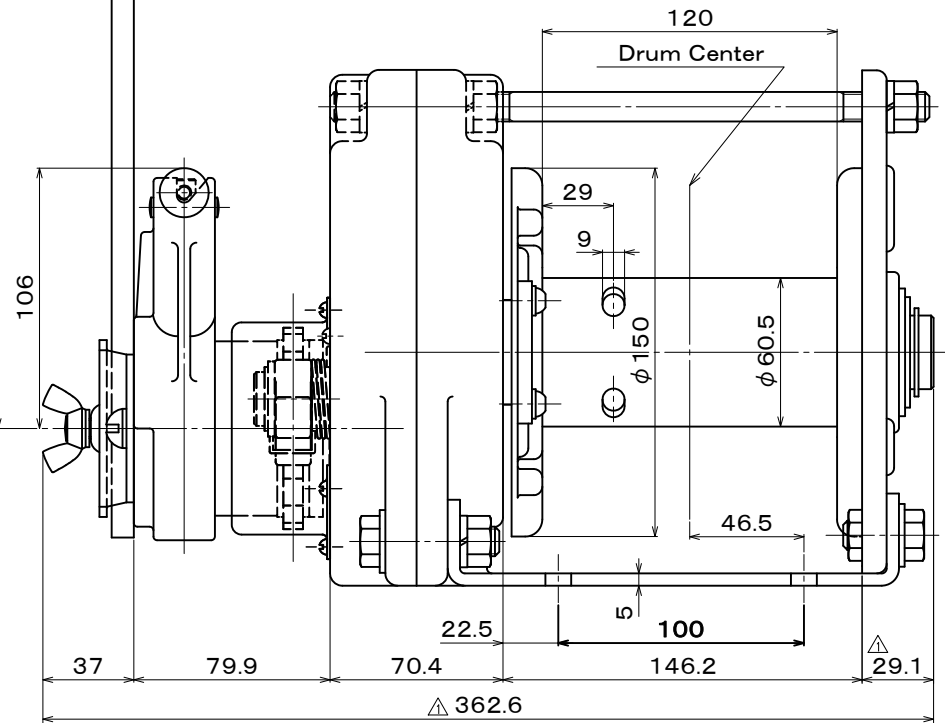
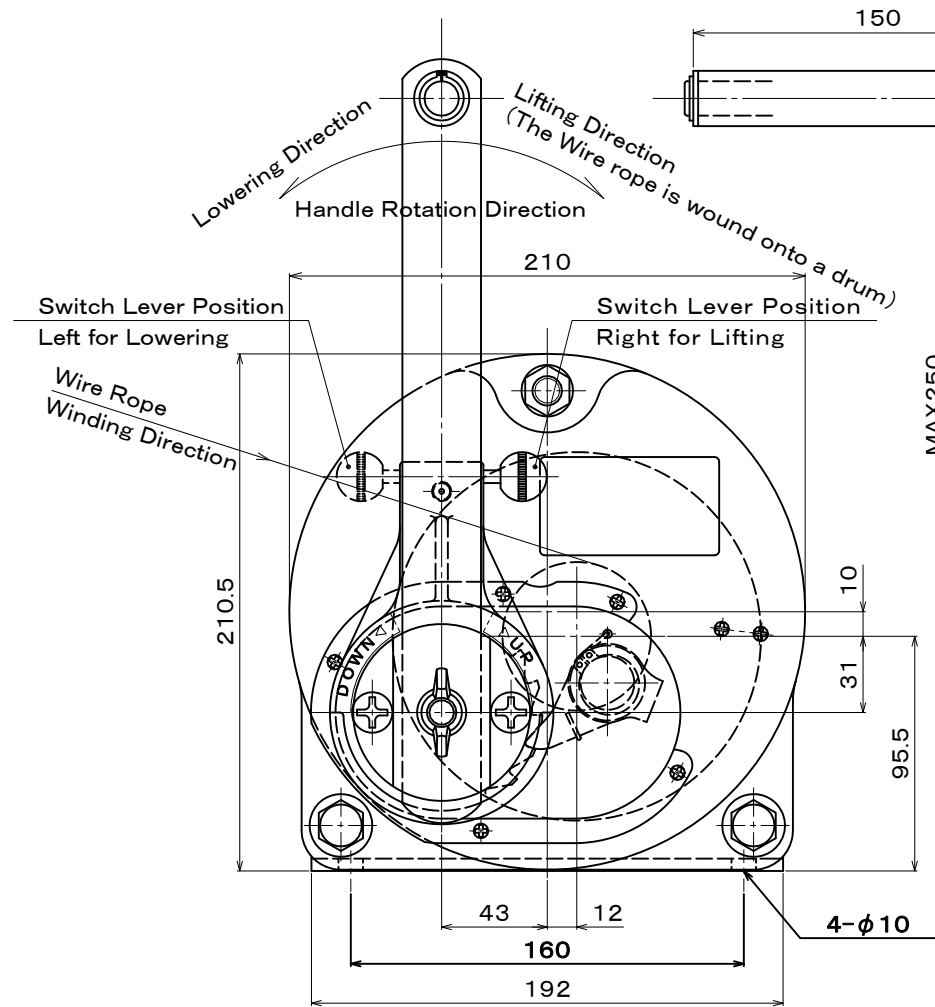


Specifications

(The wire rope composition is a manufacturer recommendation.)

Load Rating	2,940N (=300kgf)	Handle Force	Handle Length	Number of Wire Rope Winding Layer
Wire Rope Tension	5th Layer (Standard Layer)		250mm	
Drum Capacity	Wire Rope 6-Layer Windings φ6mm(6×37), JIS×32m	Standard Accessories		One Handle One Hex Wrench for Anchoring the Wire Rope
Gear Ratio	1/6.25	Painting		Melamine Resin Coating at Two Layers Painting Color Drum : Black (Munsell N1 Semi Gloss) Others : Munsell 7.5YR6/11
Effective Handle Length	250mm (Maximum)			
Weight	15.0kg (Winch+Handle)			

- ※To prevent irregular winding of the wire rope around the drum, keep the fleet angle 2 degrees or less. Please install the pulley 1800mm or more away from the drum on the center line of the drum.
- ※The value of specified "Wire Rope Tension" on this drawing is for the standard layer or less. The value of the "Wire Rope Tension" must be decreased accordance with the ratio of the actual winding layers, if it exceeded.



△ ×			図面番号 / DRAWING No.	改訂番号 / REVISION No.	お客様 / CUSTOMER	符号 / MARK	項目 / PARTICULARS	材料 / MATERIAL	数量 / QTY	単体合計 / PER ONE TOTAL	備考 / REMARKS
△ ×			MR3SI-140404-01E	02						重量(φ) / WEIGHT	
△ ×	16・02・10	Deleted the quick winding hole of handle	承認 / APPROVED	検図 / CHECKED	作成 / DRAWN	図面名 / TITLE	投影法 / PROJECTION METHOD	MAXPULL MACHINERY & ENGINEERING CO. LTD.			
△ × 2	15・12・25	Shaft end deleted	設計部	設計部	設計部	MAXPULL WINCH STOPPER ARMLESS RATCHET TYPE MODEL MR-3-SI	第三角法 / THIRD ANGLE PROJECTION	マックスプル工業株式会社			
改訂 / REVISION			米澤	松嶺	武松		尺度 / SCALE	台数 / QTY			