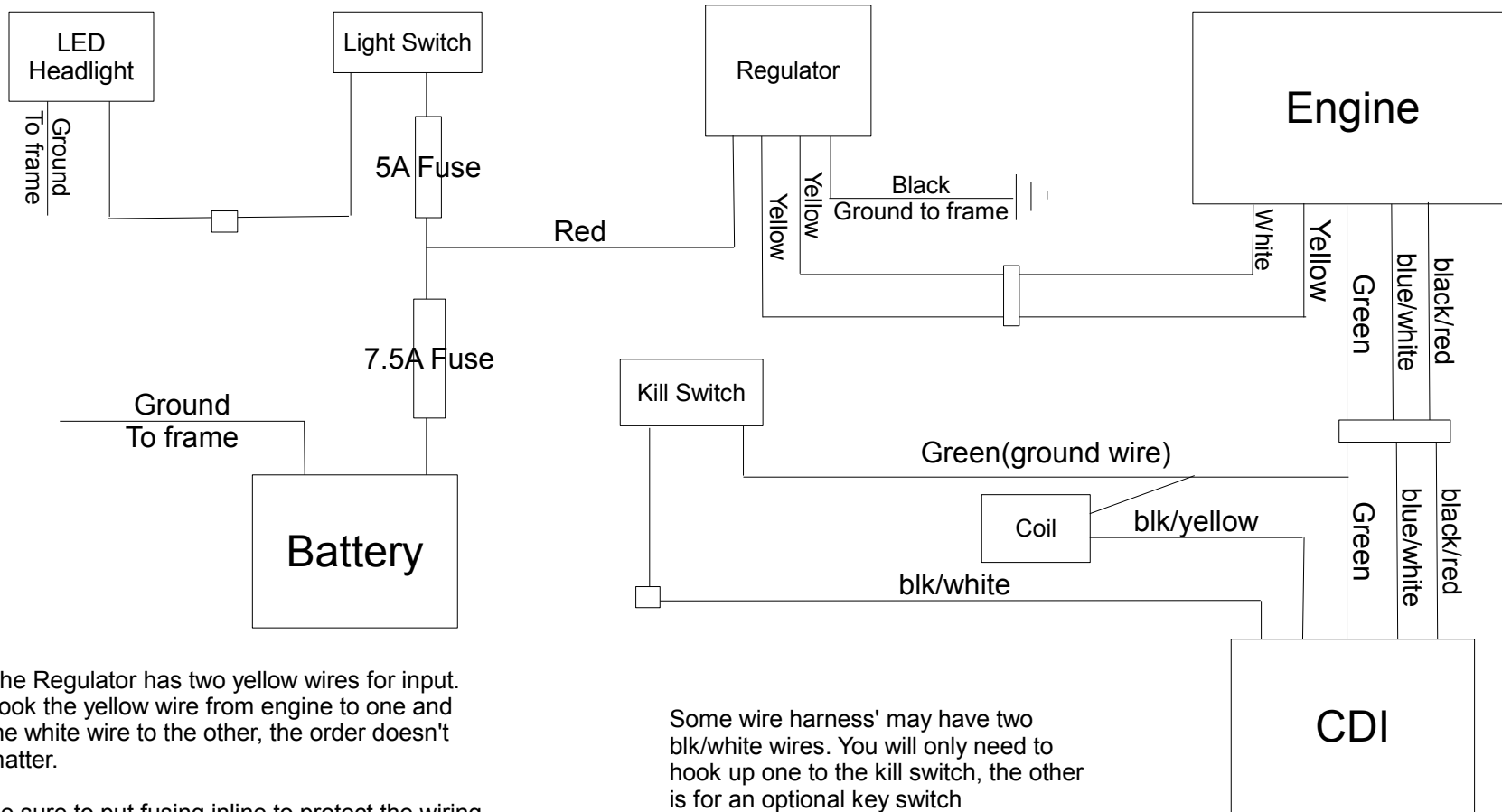


# Basic Wiring w/LED(non-Piranha Engines)



The Regulator has two yellow wires for input. hook the yellow wire from engine to one and the white wire to the other, the order doesn't matter.

Be sure to put fusing inline to protect the wiring system and the headlight.

If also adding a tail-light, just attach the positive to the same wire leading off the switch to the headlight and ground the negative to the frame.

Some wire harness' may have two blk/white wires. You will only need to hook up one to the kill switch, the other is for an optional key switch

If the harness has an extra green wire, attach this to ground also. It will help complete the grounding of the other components.