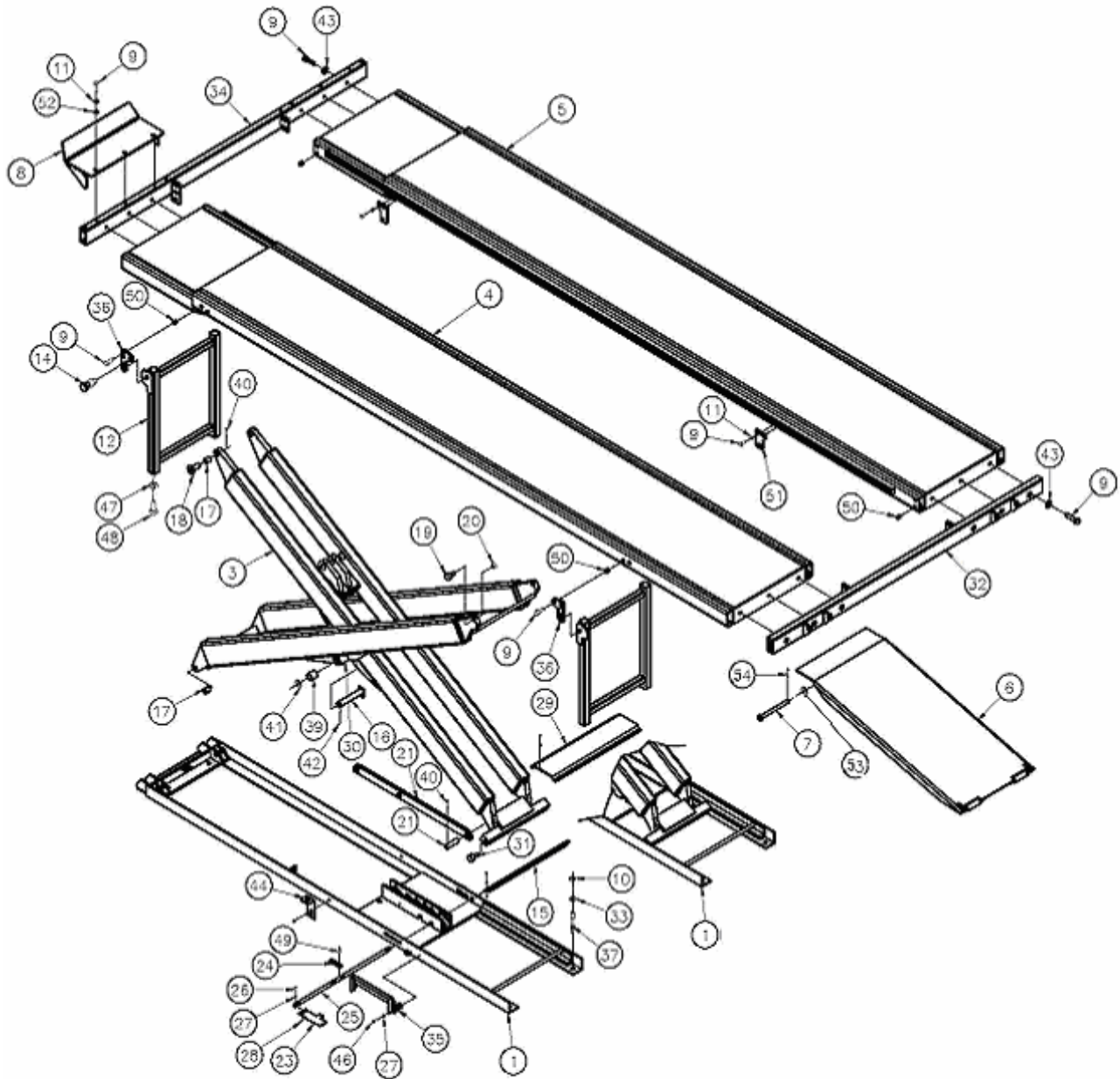


9 PARTS MANUAL

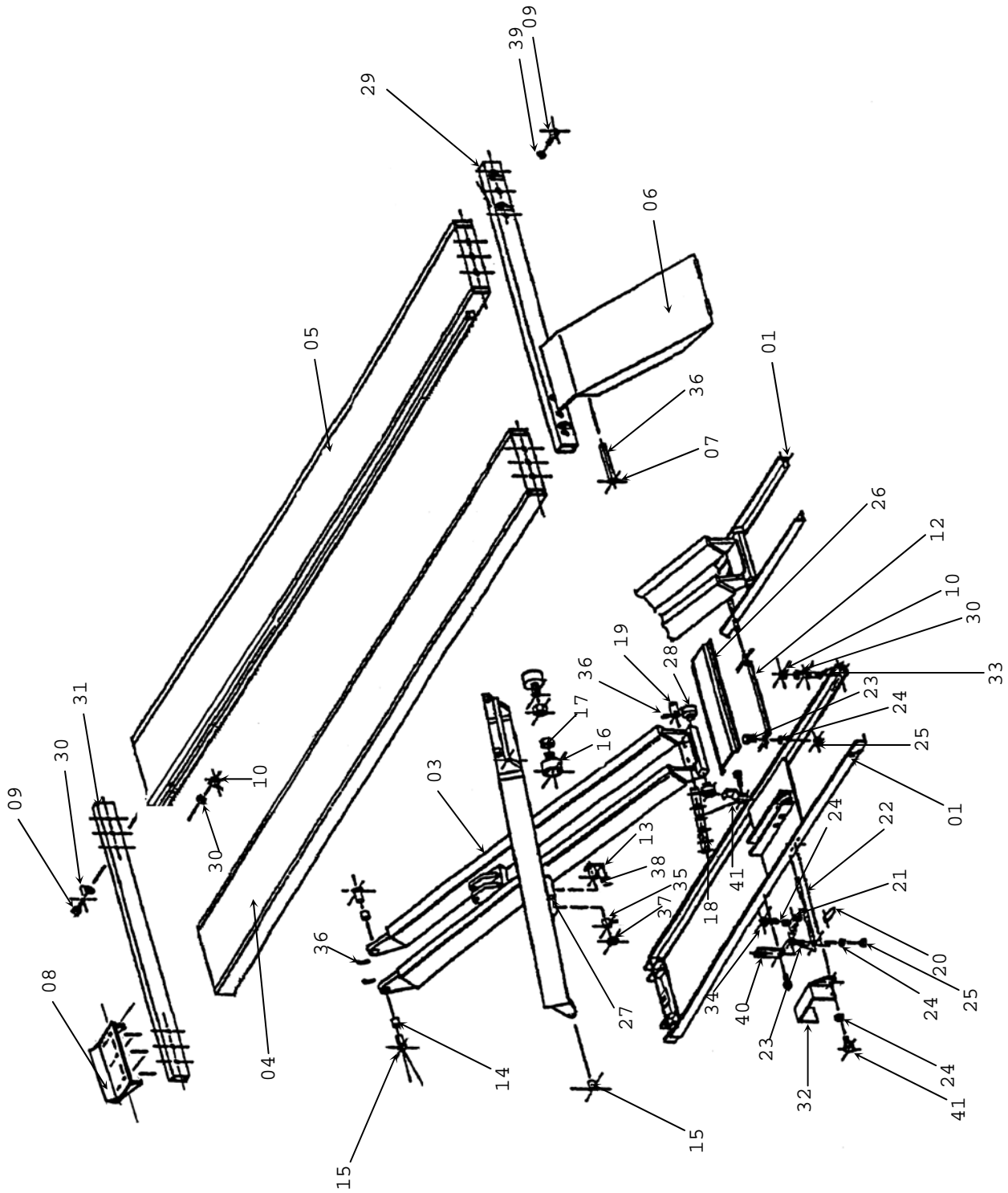
9.1 12,000 LB SPACE SAVER ALIGNMENT



9.2 SPACE SAVER ALIGNMENT MAIN FRAME ASSEMBLY - PART LIST

ITEM	QTY.	DESCRIPTION	PART #
1	2	BASE FRAME WELDMENT	4-0160
3	2	SCISSOR WELDMENT	4-0153
4	1	ALIGNMENT DECK, LEFT SIDE (172"W/B)	4-0158
5	1	ALIGNMENT DECK, RIGHT SIDE (172"W/B)	4-0159
6	2	RAMP ASSEMBLY W/ROLLER (172"W/B)	3-0905
7	4	APPROACH RAMP PIN	1-1887
8	2	FRONT WHEEL STOP	2-0998
9	38	HEX BOLT, 1/2" - 13UNC X 1 1/2"LG.	6-0291
10	32	HEX NUT, 1/2" - 13UNC	6-0035
11	38	LOCK WASHER, 1/2" I.D.	6-0059
12	2	LEVELLING LEG, FRONT-LEFT, REAR-RIGHT	3-0300
13	2	LEVELLING LEG, FRONT-RIGHT, REAR-LEFT	3-0299
14	4	PLUNGER PIN ASSEMBLY	2-0086
15	1	SAFETY RELEASE CONNECTING ROD	2-0071
16	4	FULCRUM PIN, 1 1/4" DIA.	1-0106
17	8	BUSHING, 1" I.D.	6-0630
18	8	END HINGE PIN, 1" DIA.	1-0107
19	4	CAM FOLLOWER, UPPER	6-0076
20	4	JAM NUT, 5/8" - 18UNF	6-0040
21	2	SAFETY BAR WELDMENT	2-1683
22	2	SAFETY PIN	1-0547
23	2	SAFETY PEDAL	2-0742
24	1	SAFETY RELEASE TAB	1-2169
25	1	SAFETY RELEASE ROD	2-2134
26	6	HEX BOLT, 1/4" - 20UNC X 1 1/4"LG.	6-0027
27	14	LOCK WASHER, 1/4" I.D.	6-0056
28	6	HEX NUT, 1/4" - 20UNC	6-0032
29	1	CENTER COVER	3-0164
30	4	GREASE NIPPLE	6-0000
31	4	CAM FOLLOWER, LOWER	6-0077
32	1	REAR CROSSMEMBER WELDMENT	3-0297
33	16	FLAT WASHER, 1/2" I.D.	6-0439
34	1	FRONT CROSSMEMBER (172" W/B)	3-0298
35	2	TOE GUARD	1-0698
36	4	LEVELING LEG BRACKET, OUTSIDE	2-0118
37	16	WEDGE ANCHOR, 1/2" X 4 1/2" LG	6-0140
38	4	CONCRETE NAIL, 1/4" X 1" LG	6-0141
39	4	BUSHING, 1 1/4" I.D.	6-0084
40	12	COTTER PIN, 1/8" X 2" LG	6-0115
41	4	WASHER	1-0140
42	4	SPRING PIN, 3/16" X 2" LG	6-0146
43	6	FLATWASHER, 1/2"	6-0439
44	4	FLAT SHIPPING BRACKET	1-0728
45	4	CAP SCREW, HEX HEAD, 1/4" - 20UNC X 2 1/2" LG	6-0554
46	4	HEX BOLT, 1/4" - 20 UNC X 2 1/2" LG	6-0554
47	8	JAM NUT, 3/4" - 10UNC	6-0041
48	8	TAP BOLT, 3/4" X 4" LG	6-0050
49	4	FLAT HEAD, 1/4"-20UNC X 3/4" LG.	6-1086
50	4	LEVELING LEG BRACKET, INSIDE	1-2888
51	16	THREADED INSERT, 1/2"-13UNC	6-2432
52	6	FLAT WASHER, 1/2" I.D.	6-0063
53	4	FLAT WASHER, 3/4 I.D.	6-0978
54	4	COTTER PIN 1/8" X 1 1/2"	6-0738

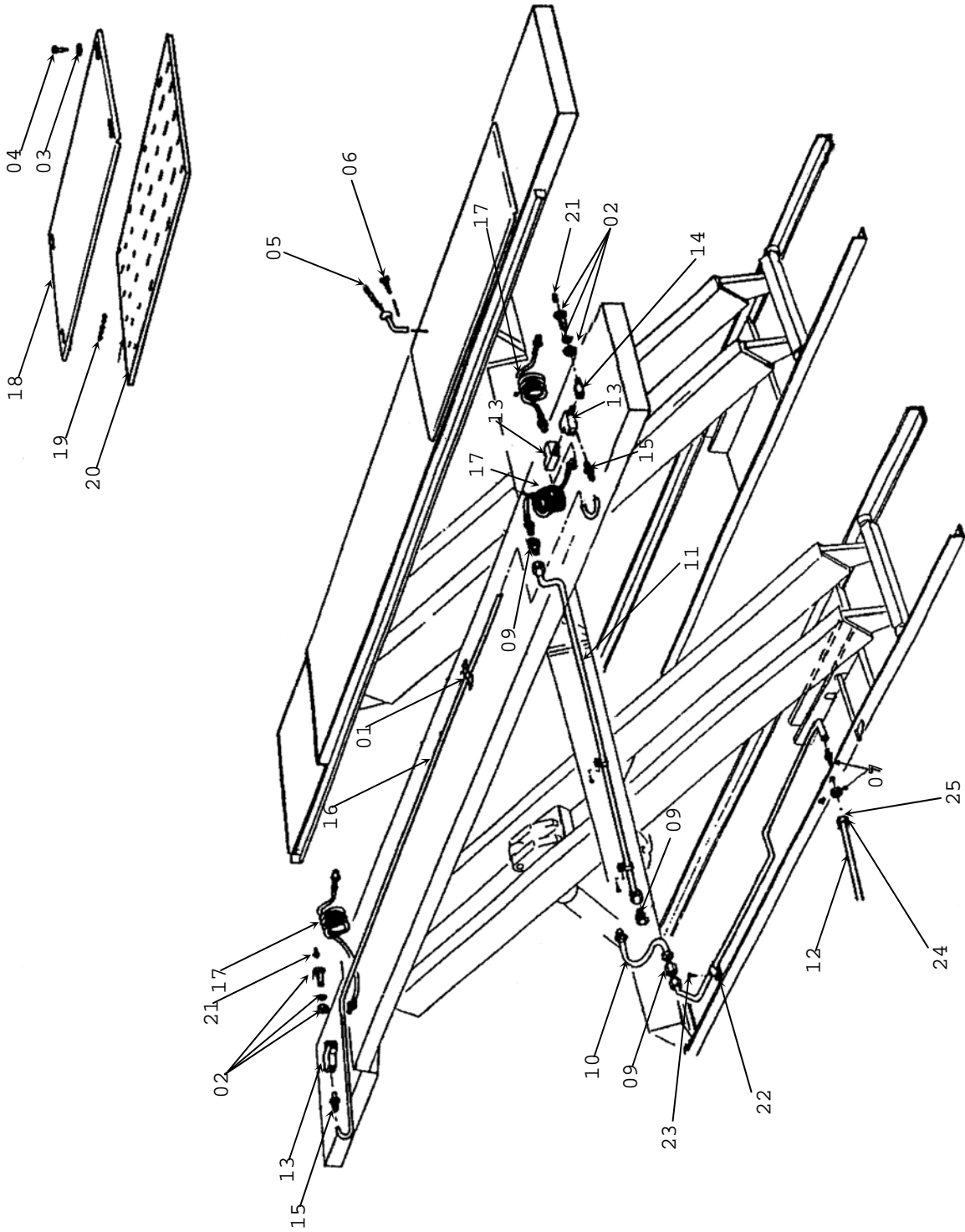
9.3 12,000 LB SPACE SAVER SERVICE & RUST PROOFER



9.4 SPACE SAVER MAIN FRAME ASSEMBLY, SERVICE & RUST PROOFER

ITEM	QTY.	DESCRIPTION	PART #
1	2	BASE FRAME WELDMENT	4-0160
3	2	SCISSOR WELDMENT	4-0153
4	1	SERVICE DECK, LEFT SIDE	4-0162
5	1	SERVICE DECK, RIGHT SIDE	4-0163
6	1	RAMP ASSEMBLY W/ ROLLER	3-0905
7	2	RAMP PIN	1-0095
8	2	FRONT WHEEL STOP	2-0432
9	10	HEX BOLT 1/2-13UNC X 1-1/2"LG.	6-0291
10	22	HEX NUT 1/2"-13UNC	6-0035
11	14	LOCKWASHER 1/2" ID.	6-0059
12	1	SAFETY RELEASE CONNECTING ROD	2-0071
13	4	FULCRUM PIN, 1-1/4" DIA.	1-0106
14	8	BUSHING, BRONZE, 1"ID.	6-0630
15	8	END HINGE 1" DIA.	1-0107
16	4	CAM FOLLOWER	6-0637
17	4	JAM NUT, 5/8-18UNF	6-0040
18	2	SAFETY BAR WELDMENT	2-1683
19	2	SAFETY PINS	1-0547
20	2	SAFETY PEDAL	2-0742
21	2	SAFETY RELEASE TAB	1-2169
22	2	SAFETY RELEASE ROD	2-2134
23	6	HEX BOLT, 1/4-20UNC X 1-1/4"LG.	6-0027
24	14	LOCKWASHER, 1/4"	6-0056
25	8	HEX NUT, 1/4-20UNC	6-0032
26	1	CENTRE COVER	3-0952
27	4	GREASE NIPPLE	6-0000
28	4	CAM FOLLOWER	6-0077
29	1	REAR CROSSMEMBER WELDMENT	3-0297
30	22	1/2 SAE FLAT WASHER	6-0439
31	1	FRONT CROSSMEMBER	3-0298
32	2	TOE GUARD	1-0698
33	16	WEDGE ANCHOR 1/2" X 4-1/2"LG.	6-0140
34	4	CONCRETE NAIL 1/4 X 1"LG.	6-0141
35	8	BUSHING, 1 1/4" ID	6-0084
36	14	COTTER PIN 1/8" X 2"	6-0115
37	4	WASHER	1-0140
38	4	SPRING PIN, 3/16" X 2" LG	6-0146
39	6	WASHER, FLAT, 1/2"	6-0439
40	2	FLAT SHIPPING BRACKET	1-0728
41	4	CAP SCREW, HEX HEAD, 1/4 - 20 UNC X 2 1/2" LG	6-0554

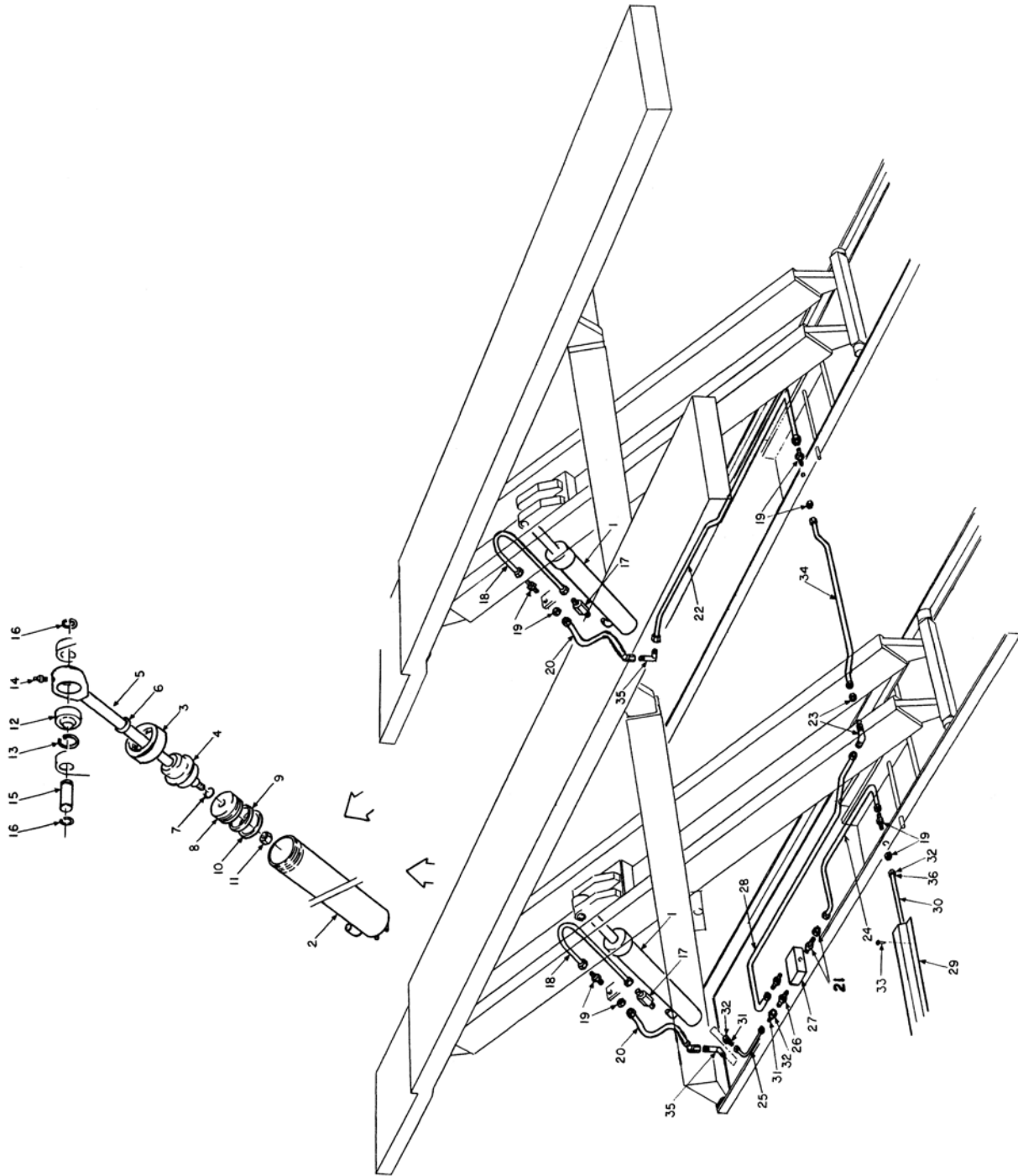
9.5 12,000 LB SPACE SAVER OPTIONS



9.6 SPACE SAVER - OPTIONS PART LIST

ITEM	QTY.	DESCRIPTION	PART #
1	2	HOSE CLAMP HF - 5	6-0168
2	2	TERMINAL BOLT, 3/4"-16m W/1/4 NPT F	6-0167
3	8	FLAT WASHER	6-0426
4	8	SHOULDER BOLT, 3/8" X 5/8"LG.	6-0069
5	4	LOCKING PIN ASSEMBLY	2-2184
6	4	SELF TAP SCREW #10 X 1/2"LG.	6-0505
7	1	BULKHEAD, CHANGE 90 DEG. ELBOW C/W JAM NUT	6-0012
8	1	TUBE ASSEMBLY	3-0017
9	3	ADAPTER, 3/8"JIC M TO 1/4"NPT F	6-0118
10	1	HOSE ASSEMBLY	1-0119
11	1	TUBE ASSEMBLY	2-0062
12	1	SUPPLY TUBE, 3/8" X .049" X 20'LG.	6-0171
13	3	STREET TEE 1/4"NPT	6-0014
14	1	STREET ELBOW 1/4"NPT	6-0015
15	2	HOSE BARB FITTING, 1/4" NPT 3/8" HOSE	6-0710
16	1	HOSE 144"W/B	1-0120
	1	HOSE 172"W/B	1-0139
17	3	12' COILED HOSE	6-0337
18	2	REAR SLIP PLATE WELDMENT	3-0197
19	1 SET (225)	BALL BEARING	6-0829
20	2	REAR BEARING CAGE	3-0196
21	2	PLUG, 1/4"NPT	6-0282
22	4	TUBE CLAMP	6-0170
23	4	SELF TAP SCREW, #10 x 3/8"LG.	6-0169
24	2	TUBING SLEEVE, JIC	6-0017
25	2	TUBING NUT, 3/8" JIC	6-0016

9.7 12,000 LB SPACE SAVER HYDRAULICS

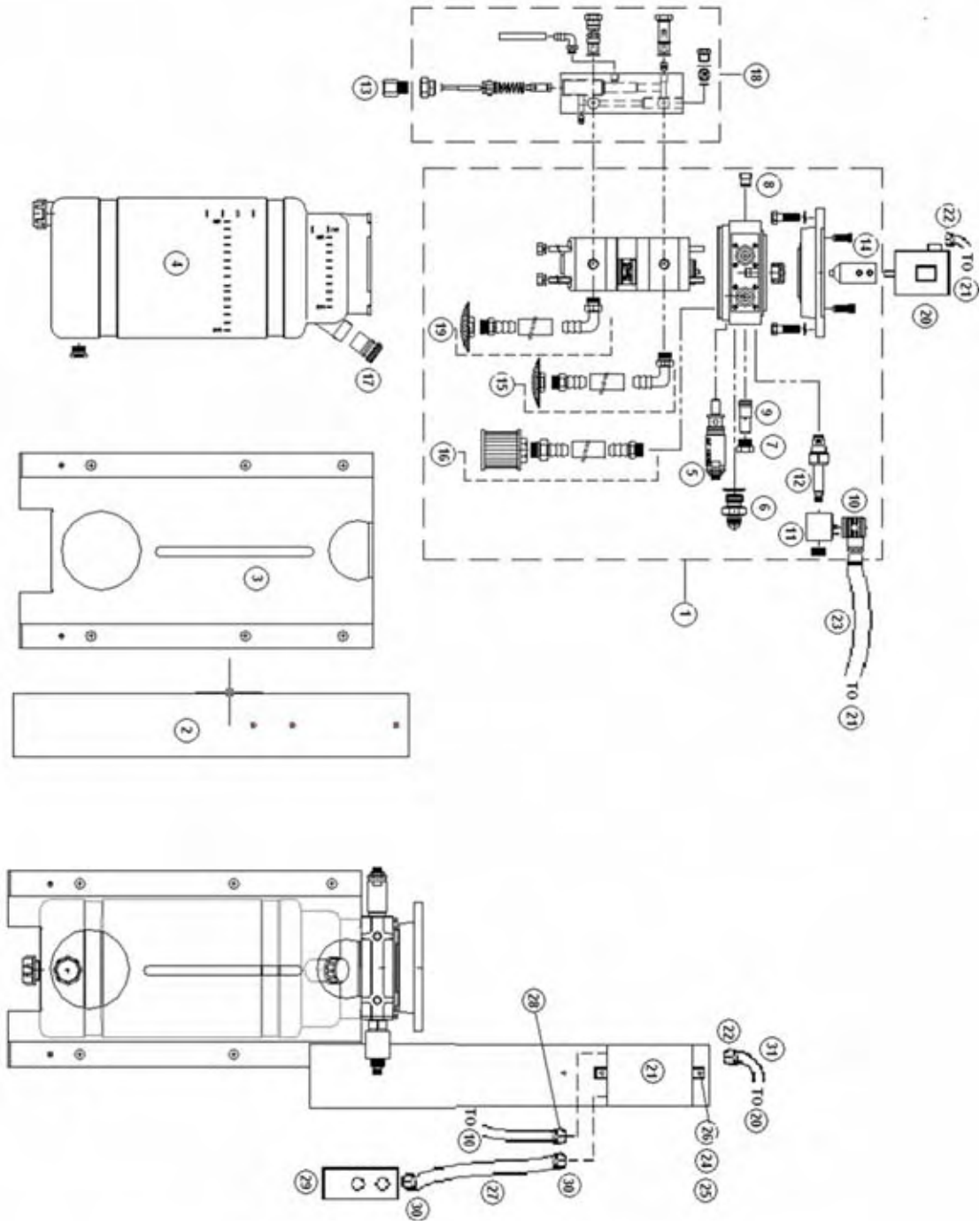


9.8 SPACE SAVER - HYDRAULICS PART LIST

ITEM	QTY.	DESCRIPTION	PART #
1	2	HYDRAULIC CYLINDER	3-0000
1-2	1	TUBE WELDMENT	2-0000
1-3	1	NUT GLAND	1-0011
1-4	1	GLAND	1-0008
1-5	1	ROD WELDMENT	2-0001
1-6*	1	WIPER RING	6-0001
1-7*	1	'O' RING	6-0002
1-8	1	PISTON	1-0007
1-9*	1	SEAL RING	6-0003
1-10*	1	WEAR RING	6-0004
1-11	1	NYLON INSERT LOCK NUT, 7/8"-14UNF	6-0005
1-12	1	BEARING	6-0007
1-13	1	RETAINING RING	6-0070
1-14	1	GREASE NIPPLE	6-0000
15	2	PIN	1-0029
16	4	RETAINING RING	6-0340
17	2	VELOCITY FUSE	6-0422
18	2	TUBE ASSEMBLY, CYLINDER	1-0093
19	4	BULKHEAD, CONNECTOR 3/8"JIC C/W JAM NUT	6-0013
20	2	HOSE ASSEMBLY	2-2136
21	1	BULKHEAD ADAPTER, 3/8"BSF TO 3/8"JIC	6-0176
22	1	TUBE ASSEMBLY, RIGHT SIDE	2-0068
23	1	BULKHEAD, 90° ELBOW 3/8"JIC M C/W JAM NUT	6-0012
24	1	TUBE ASSEMBLY	2-0064
25	1	TUBE ASSEMBLY	2-0182
26	2	ADAPTOR, 3/8"BSF TO 3/8"JIC	6-0156
27	1	FLOW DIVIDER (WITH FITTINGS)	6-0173
28	1	TUBE ASSEMBLY	2-0066
29	4	LINE COVER	2-1104
30	1	SUPPLY TUBE 3/8" X .049"WALL X 20'	6-0171
31	2	REDUCER NIPPLE, 3/8" TO 1/4"	6-0974
32	2	NUT, 3/8" TUBE	6-0016
33	16	CONCRETE NAIL, 1/4" x 1"	6-0141
34	1	TUBE ASSEMBLY	2-0519
35	2	ADAPTER, 90° EXTENDED	6-0174
36	2	SLEEVE	6-0017

*HYDRAULIC CYLINDER SEAL KIT PART # 0-0007

9.9 12,000 LB SPACE SAVER POWER PACK



9.10 12,000 LB SPACE SAVER POWER PACK - PARTS LIST

ITEM NO.	QTY.	DESCRIPTION	PART NO.
1	1	PUMP ASSEMBLY	6-3234
2	1	CONTROL BOX BRACKET	6-3225
3	1	PUMP TANK SKIRT	6-3226
4	1	TANK 10L PLASTIC	6-3224
5	1	RELIEF VALVE 5400 PSI	6-3238
6	1	FITTING ¼ BSP - #6 JIC W/ BONDED SEAL	6-3227
7	1	PLUG ¾ - 16 C/W O-RING	6-3230
8	1	CHECK VALVE	6-2985
9	1	FLOW CONTROL – 7.5 L/MIN	6-2988
10	1	DIN CONNECTOR RECTIFIED 1A HIGH BODY	6-2503
11	1	COIL S8 220V RAC	6-2502
12	1	CARTRIDGE VALVE N/C WITH MANUAL OVERRIDE	6-2129
13	1	BLEED OFF	6-2531
14	1	MOTOR COUPLER & NOIX CROSS	6-2537
15	1	PUMP INTAKE ASSEMBLY (LONG)	6-2292
16	1	PUMP RETURN ASSEMBLY	6-2290
17	1	PRESS FIT FILLER BREATHER	6-3223
18	1	UNLOADING MANIFOLD ASSEMBLY	6-2555
19	1	PUMP INTAKE ASSEMBLY	6-2293
20A	1	MOTOR, 220V, 1 PHASE	6-0087
20B	1	MOTOR, 220V, 3 PHASE	6-0446
20C	1	MOTOR, 575V, 1 PHASE	6-0447
21A	1	CONTACTOR MOTOR STARTER 220V, 1 PHASE	6-0805
21B	1	CONTACTOR MOTOR STARTER 220V, 3 PHASE	6-0809
21C	1	CONTACTOR MOTOR STARTER 575V, 3 PHASE	6-0449
22	2	½” STRAIN RELIEF CONNECTOR	6-0093
23	3 FT	COIL CABLE	8-0306
24	2	LOCKWASHER, ¼”	6-0056
25	2	CAP SCREW, HEX HEAD, ¼”-UNC x ¾” LG	6-0178
26	2	¼”-20UNC HEX NUT	6-0032
27	1	REMOTE CONTROL CABLE	1-0103
28	1	½” STRAIN CONNECTOR	6-0092
29	1	REMOTE HAND CONTROL	6-0096
30	2	3/8” STRAIN RELIEF CONNECTOR	6-0093
31A	1	MOTOR CABLE (1 PHASE)	1-0104
31B	1	MOTOR CABLE (3 PHASE)	1-1824
***NOTE		PUMP ASSEMBLY (INCLUDES 2 TO 28)	6-3233
		COMPLETE POWERPACK ASSEMBLY 220V, 1 PHASE	0-0123
		COMPLETE POWERPACK ASSEMBLY 220V, 3 PHASE	0-0767
		COMPLETE POWERPACK ASSEMBLY 575V, 3 PHASE	0-0766

