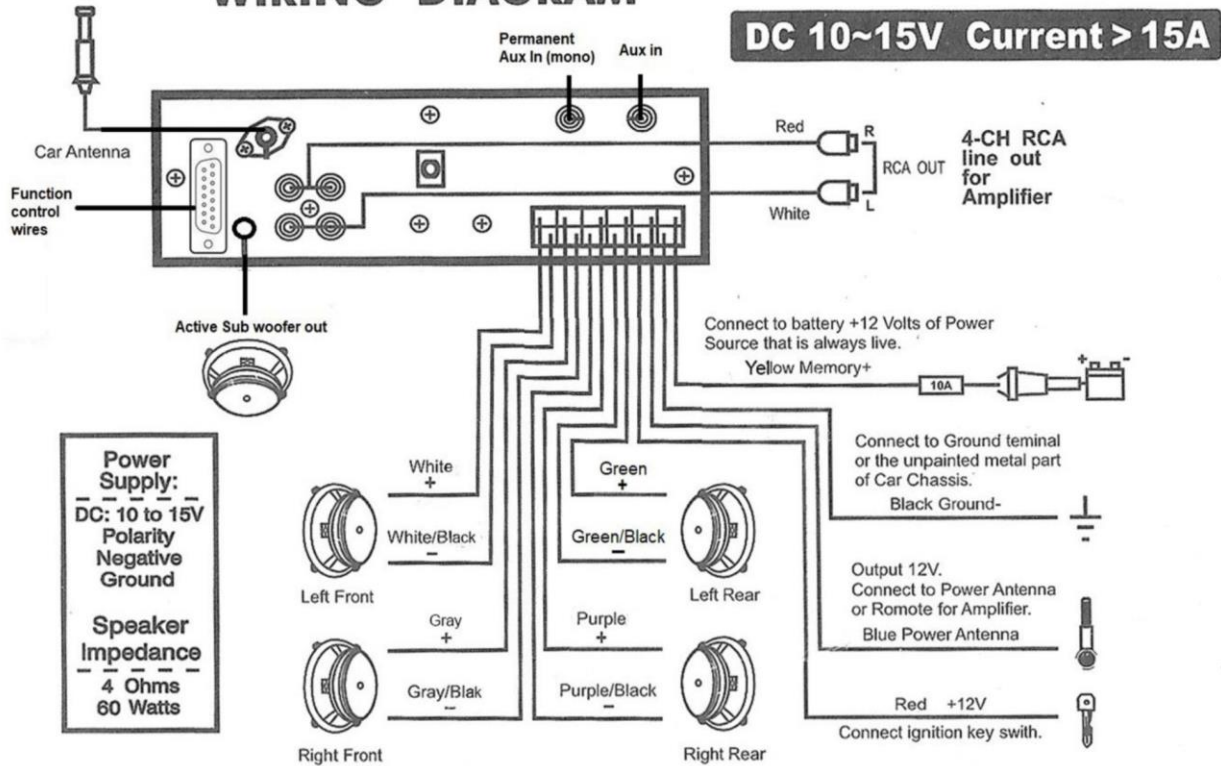
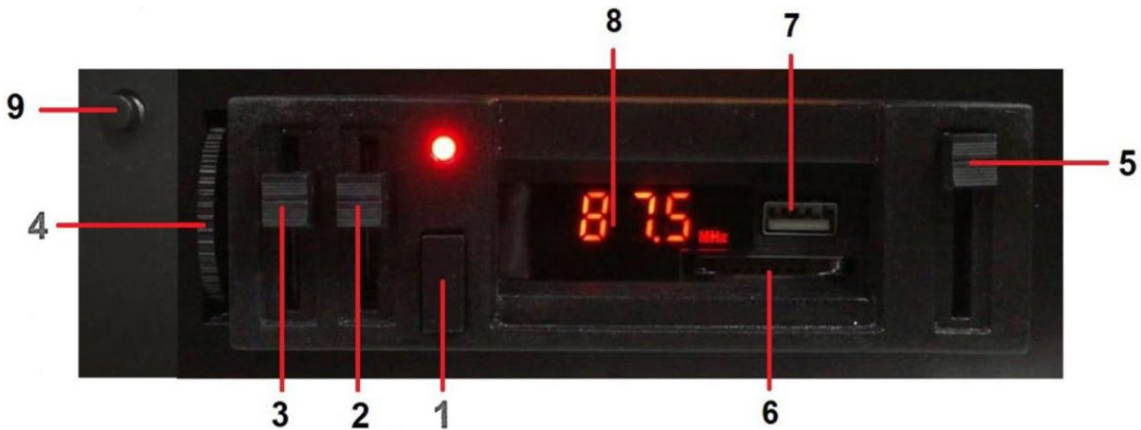


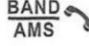
WIRING DIAGRAM



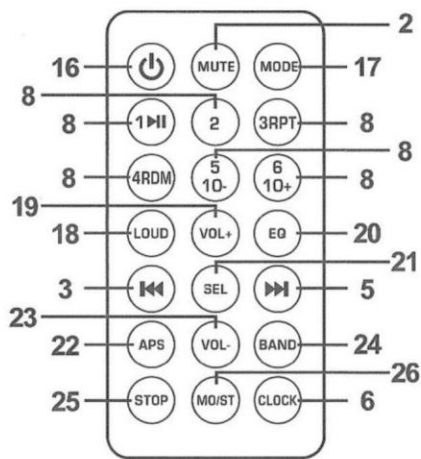
Note: Make sure not to damage the unit, please wrap the exposed wires or unconnected wires with insulating tape!

Panel key function description



- 1** : Short press turn on power / Mode Switch(USB Mode/SD Mode/AUX Input Mode /BT Mode/Radio Mode); Long press turn off power.
BT Mode: Short press hang up the phone or reject the incoming call.
- 2** Permanent Aux Volume
- 3** Aux Volume
- 4** Master volume
- 5** Subwoofer volume
- 6** : SD Slot.
- 7** : USB Port.
- 8** : LED Display Screen.
- 9**  : Radio Mode: Short press is Band(FM1/ FM2 /FM3) selection, Long press is Auto Search and Stored radio station;
BT mode: Answer the incoming phone/ redial the last dialed out number.

Remote key function description



- 2** **MUTE** : Mute Sound Function.
- 3** **⏮** : Radio Mode: Search last radio station / USB/SD/BT Mode: Play last track
- 5** **⏭** : Radio Mode: Search next radio station ; USB/SD /BT Mode: Play next track.
- 6** **CLK/CLOCK** : Short press to display Clock; Long press and rotate the knob to setting hour, then press the knob and rotate to setting minute.
- 8** **1/PAU/II** USB/SD/BT Music Play Mode: Play or Pause.
- 2/INT** USB/SD Play Mode: Browse play mode.
- 3/RPT** USB/SD Play Mode: Repeat play mode.
- 4/RDM** USB/SD Play Mode: Random play mode.
- 5/-10** USB/SD Play Mode: Select Last 10 tract.
- 5/+10** USB/SD Play Mode: Select Next 10 tract.
- 1~6** Radio Mode: Short press is select the store radio station in Band (FM1~FM2~FM3). Long press is stored the current listening station in this position.

- 16** **⏻** : Press to turn on/off power.
- 17** **MODE** : Press to switch Mode.
- 18** **LOUD** : Press to turn on/off Loud.
- 19** **VOL+** : Press to turn up volume.
- 20** **EQ** : Press to select EQ mode(POP/CLASS/ROCK) / Turn off EQ.
- 21** **SEL** : Press repeat to Switch between **Volume**(0~40)/**Bass**(-7~+7) /**Treble**(-7~+7)/**Balance**(-7~+7) /**Fader**(-7~+7)/**Loud** (on/off)/**EQ**(on(POP/ROCK/CLASS)/off)/**Local&Distant/Stereo(mono)**
Press VOL-/VOL+ to adjust.
- 22** **APS** : Press is Auto Search and Stored radio station.
- 22** **APS** : Press is Auto Search and Stored radio station.
- 23** **VOL-** : Press to turn down volume.
- 24** **BAND** : Press is Band (FM1/ FM2 /FM3) selection.
- 25** **STOP** : Press is Stop Playing in USB/SD mode.
- 26** **MO/ST** : Press is switch between Mono/Stereo.

Function control wires description

with these wires it is possible to connect any momentary pushbutton to control the functions by the switchpods or consoles.
the connection of the single wires must take place on the **wire n.1 (common)**



- 11** **MUTE** : Mute Sound Function.
- 12** **⏮** : Radio Mode: Search last radio station / USB/SD/BT Mode: Play last track
- 9** **SEL** : Press repeat to Switch between **Volume**(0~40)/**Bass**(-7~+7) /**Treble**(-7~+7)/**Balance**(-7~+7) /**Fader**(-7~+7)/**Loud** (on/off)/**EQ**(on(POP/ROCK/CLASS)/off)/**Local&Distant/Stereo(mono)**
- 13** **⏭** : Radio Mode: Search next radio station ; USB/SD /BT Mode: Play next track.
- 14** **CLK/CLOCK** : Short press to display Clock; Long press and rotate the knob to setting hour, then press the knob and rotate to setting minute.
- 15** **BAND AMS** : Radio Mode: Short press is Band(FM1/ FM2 /FM3) selection, Long press is Auto Search and Stored radio station; BT mode: Answer the incoming phone/ redial the last dialed out number.
- 7** **1/PAU/II** USB/SD/BT Music Play Mode: Play or Pause.
- 6** **2/INT** USB/SD Play Mode: Browse play mode.
- 5** **3/RPT** USB/SD Play Mode: Repeat play mode.
- 4** **4/RDM** USB/SD Play Mode: Random play mode.
- 3** **5/-10** USB/SD Play Mode: Select Last 10 tract.
- 2** **6/+10** USB/SD Play Mode: Select Next 10 tract.
- 1~6** Radio Mode: Short press is select the store radio station in Band (FM1~FM2~FM3). Long press is stored the current listening station in this position.
- 1** **Common**

Please note: connect wire n.8 to n.10 for reset the device

Safety precautions

In order to prevent injuries and fires, please attention the following instruction:

In order to prevent short circuit and so on, do not drop metal objects in the device

If there is smoke or peculiar smell in the device, please turn off the power at once.

Please do not make devices falling or strong collision, In order to prevent device failure, please observe the following note:



Please do not install the device in the place of strong sunlight, high temperature, high humidity or dusty

Please replace the fuse which is the same specification, If you are using different specifications of the fuse, may cause failure of the device

In order to prevent short-circuit, please pull out the power wire when you replace the fuse.

Please do not get the device wet when washing car, this may cause shortcircuit, then caused by fire or other failure.

BT Connect operation

Turn on your phone BT function, then search the BT device name " CAR BT " on your phone BT list, pairing, enter the password " 0000 ", then the MP3 LED screen will display " PH ON ", it is connect successful. Press  to answer an incoming call or redial the last dialed out number, press  to hang up the phone or reject the incoming call.

Clock Setting operation

① **Front Panel Setting:** Short press button **CLK** to display Clock; Long press button **CLK** and rotate the **Knob** to adjust **Hour**, then press the **Knob** and rotate to adjust **Minute**, finally, press **CLK** to confirm.

② **Remote Control Setting:** Short press button **CLOCK** to display Clock; Long press button **CLOCK** and press **VOL-/VOL+** to adjust **Hour**, then press **SEL** and **VOL-/VOL+** to adjust **Minute**, finally, press **CLOCK** to confirm.

The maintenance of attention

1. This device's DC voltage is 12V; current greater than 15A. Please check the DC voltage or current on your car before you install the device.
2. In order to avoid electrical short-circuit, please connect ground wire with battery negative,
3. Please check installation and wire connection is well. After the wire connection is finished, then connect negative of wire with negative of battery
4. In order to avoid electrical short-circuit, please maintain the wire insulation
5. In order to avoid knock down other object, please fix all of the wires.
6. When the fuse is blown, please replace the fuse which is the same specifications
7. Please use the high quality loudspeaker which impedance is 4~8 Ω

Specifications

Entire:

SNR-----65dB

Frequency response-----20Hz~20KHz

Output-----Audio output

Tone control-----bass 100Hz
Treble 100Hz

Power amplifier:

Output-----loudspeaker output

Loudspeaker impedance-----4~8 Ω

Maximum power output-----4x60W

FM:

FM frequency-----87.5MHz~108MHz

Terminal Antenna--external antenna connector

Medium Frequency-----10MHz

Sensitivity-----22dB

SNR-----60dB

Distortion(1KHz)-----<1%

Frequency response-----30Hz~15KHz