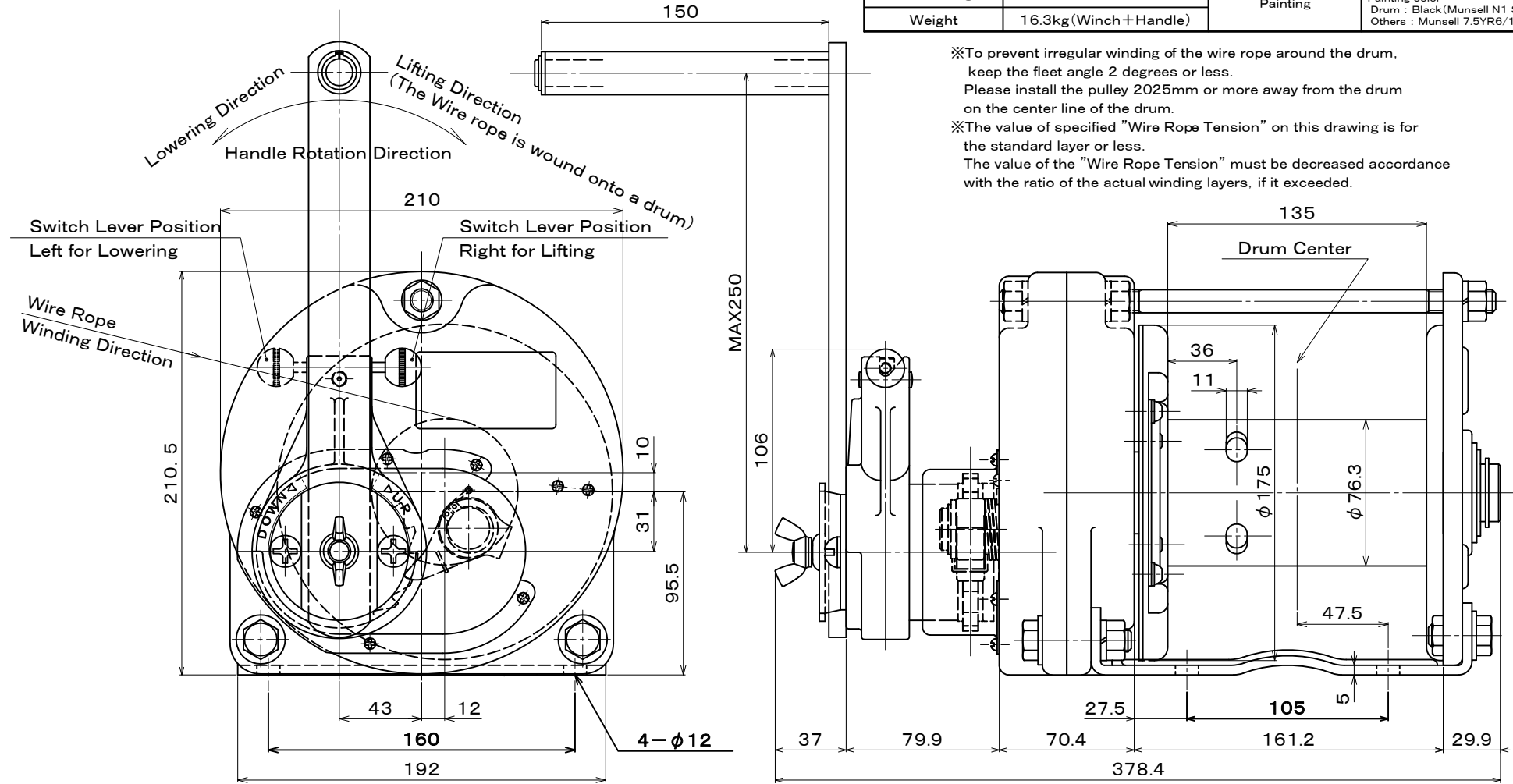


Specifications		(The wire rope composition is a manufacturer recommendation.)		
Load Rating	4,900N (=500kgf)	Handle Force	Handle Length	Number of Wire Rope Winding Layer
Wire Rope Tension	5th Layer (Standard Layer)		250mm	
Drum Capacity	Wire Rope 6-Layer Windings φ6mm (6×37), JIS×40m	Standard Accessories	Wire Rope Tension	3rd Layer 142N (=14.4kgf)
Gear Ratio	1/8.9		4,900N	5th Layer 174N (=17.7kgf)
Effective Handle Length	250mm (Maximum)	Painting	One Handle	
Weight	16.3kg (Winch+Handle)		One Hex Wrench for Anchoring the Wire Rope	
			Melamine Resin Coating At Two Layers Painting Color Drum : Black (Munsell N1 Semi Gloss) Others : Munsell 7.5YR6/11	

※To prevent irregular winding of the wire rope around the drum, keep the fleet angle 2 degrees or less.
Please install the pulley 2025mm or more away from the drum on the center line of the drum.

※The value of specified "Wire Rope Tension" on this drawing is for the standard layer or less.
The value of the "Wire Rope Tension" must be decreased accordance with the ratio of the actual winding layers, if it exceeded.



△ ×	..	図面番号 / DRAWING No.	MR5SI-160804-01E	改訂番号 / REVISION No.	00	お客様 / CUSTOMER		符号	項目	材料	数量	単体合計	備考
△ ×	..	承認 / APPROVED	検図 / CHECKED	作成 / DRAWN	図面名 / TITLE			MARK	PARTICULARS	MATERIAL	QTY	PER ONE	REMARKS
△ ×	..	設計部	設計部	設計部				投影法 / PROJECTION METHOD				重量 (kg)	
△ ×	..	'16.08.04	'16.08.04	'16.08.04				第三角法				台数 / QTY	
改訂 / REVISION	..	米澤	松嶺	武松				尺度 / SCALE					
							MAXPULL WINCH STOPPER ARMLESS RATCHET TYPE MODEL MR-5-SI			MAXPULL MACHINERY & ENGINEERING CO. LTD. マックスプル工業株式会社			