

WICKETTS STAINLESS SPECIFICATION

WFD-12-6-304 SS ROUND TOP
12" Floor Drain

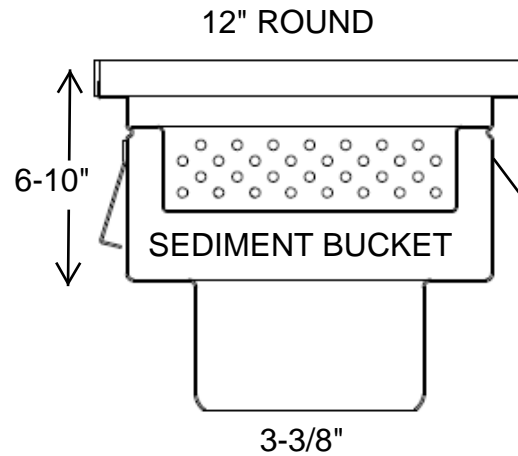


PLATE
PERIMETER
DRAINAGE
GRATE

Engineering Specification: 12" FLOOR DRAIN .Construction 304 Stainless Steel Body; Traffic Grates; Sediment Basket.

WICKETTS STAINLESS, LLC
2618 San Miguel Dr.# Bdg. 376
Newport Beach, CA 92660
www.wickettsstainless.com
sales@wickettsstainless.com



Approved for Manufacturing
Company: _____
Signature: _____