

TOOLS REQUIRED:

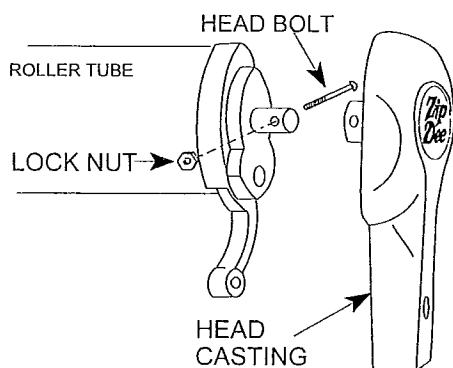
RIVET GUN  
3/8" WRENCH  
5/32" DRILL BIT

VICE GRIP PLIERS  
ELECTRIC DRILL  
#2 PHILLIPS SCREWDRIVER

A. REMOVE Z-LOCK

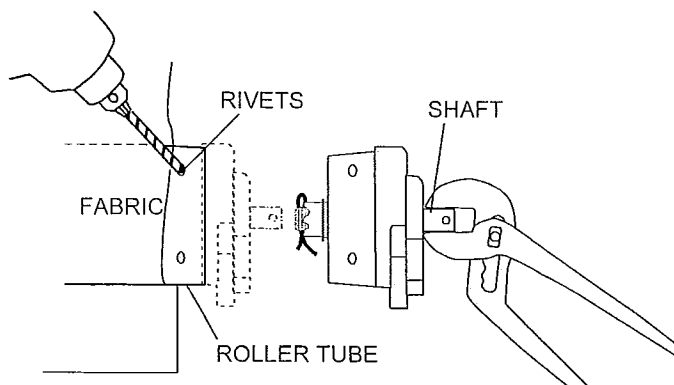
STEP 1. Open Awning

Extend awning to full open position and set rear rafter arm to hold awning open. Use another person to support awning roller.



STEP 2. Disconnect Arm

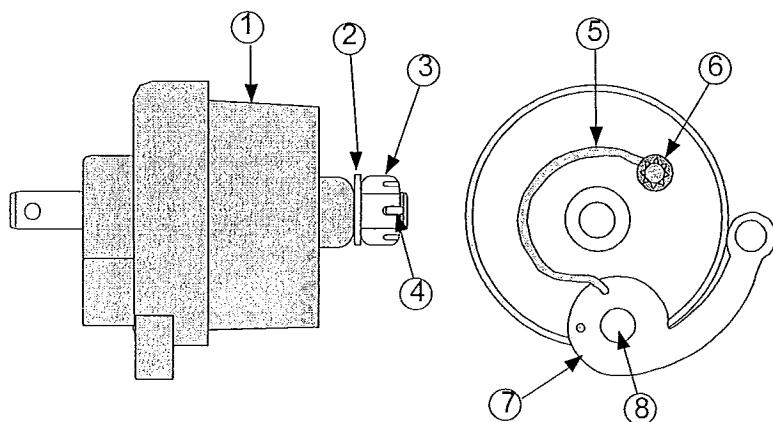
- a) At front end of awning remove and discard the bolt, washer, and nut securing head casting to shaft using a 3/8" wrench. (after 1/90, locknut replaced washer and std. nut.)
- b) Separate head casting from shaft.
- c) Rest end of roller assembly on step ladder and allow head casting and front arm to rest on ground.



STEP 3. Remove Z-Lock

- a) Slide fabric on roller tube back to expose four rivets around end of roller tube.
- b) Drill out all four rivets using 5/32" drill bit.
- c) Use pliers to pull Z-Lock from tube as shown.

B. REPLACE LEVER



STEP 1. Disassemble Z-lock

- a) Straighten and remove cotter pin (4) with pliers. Unscrew and remove castle nut (3) and washer (2).
  - b) Slide hub (1) off of shaft.
  - c) Lift lever (7) from pin (8) and disconnect from spring (5) with twisting motion. Discard old lever.
- note: **Do not** remove large washer around main shaft.

STEP 2. Replace lever

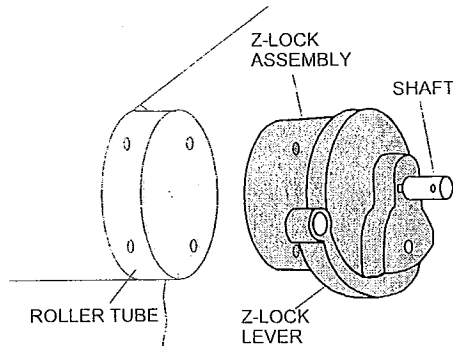
- a) If spring is misshaped or broken, remove it from casting by prying off pal nut (6) with screwdriver. Replace with new spring & pal nut provided.
- b) Hook replacement lever onto spring end (insert into smaller hole of lever) and slip lever back onto pin (8) while pushing against spring.

### STEP 3. Reassemble Z-Lock

Open lever and slide hub back onto shaft. Replace washer and castle nut removed above. Snug nut against hub, then loosen slightly so that the small hole in the threads of the shaft can be seen through a slot in the nut. Replace cotter pin and bend end to hold in place.

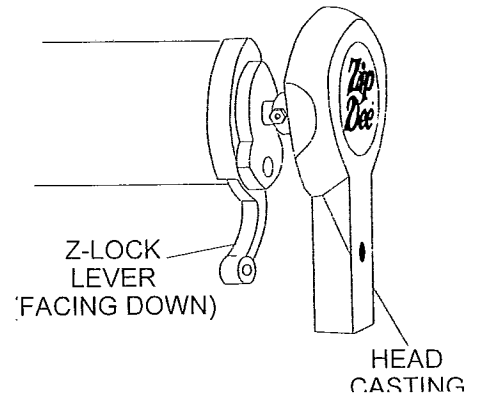
## C. REINSTALL Z LOCK

### STEP 1.



### Reattach Z-lock

- Insert Z-Lock into roller tube, aligning holes in plug portion with hole in tube.
- Insert replacement rivets and secure with rivet gun.



### STEP 2. Reconnect arm

- Open Z-Lock and rotate cover assembly so lever is facing down.
- Align hole in heading casting with hole in shaft.
- Reattach head casting to shaft with new partially threaded, black, hardened steel 10-32 x 1-1/2" screw and locknut provided.

**Do not reuse old screw.**

## AWNING OPERATION WITH Z-LOCK

### TO EXTEND AWNING:

- Use awning pull rod to pull down lever into the open (unlocked) position.
- Extend the awning per instructions in Owners Manual.
- Do not lock the roller while the awning in the open position.

### TO RETRACT AWNING:

- Lower awning and follow the steps in Owners Manual.
- Use pull rod to push lever upwards into closed (locked) position.
- If lever does not completely engage, pull outward on the awning strap. The lock spring will force the lever into the locked position.
- In some cases, it may be necessary to repeat the closing procedure, being sure to allow the awning strap to wrap spiral around the roller (not straight up) as the awning closes.

