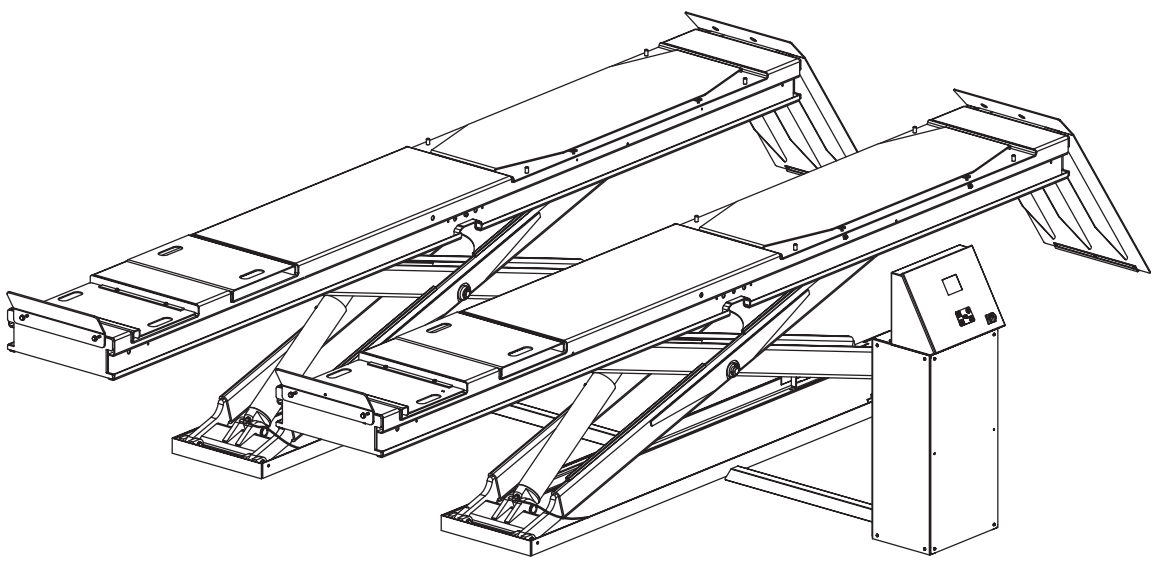


SC9i Series Scissor Lifts



IMPORTANT: When ordering parts or requesting service always give exact model and power unit serial number. Model number is shown on nameplate attached to runway. Power unit serial number is located on back side of control panel.

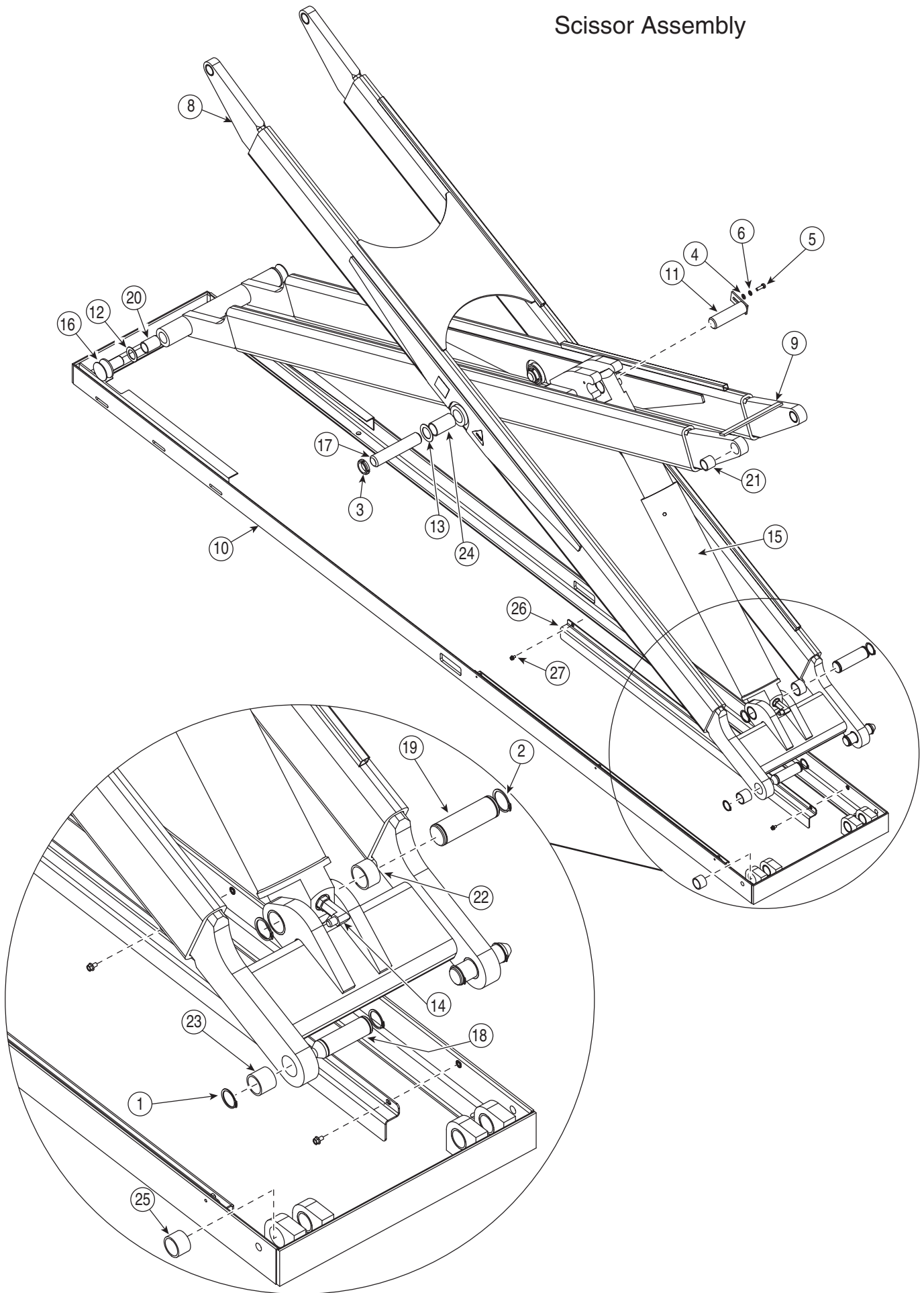
OWNERS RECORD
Complete information at right and keep in a safe place.

Date Installed _____
 Installed in Bay # _____
 Power Unit Serial # _____
 Power Unit Model # _____
 Lift Serial # _____
 Lift Model # _____

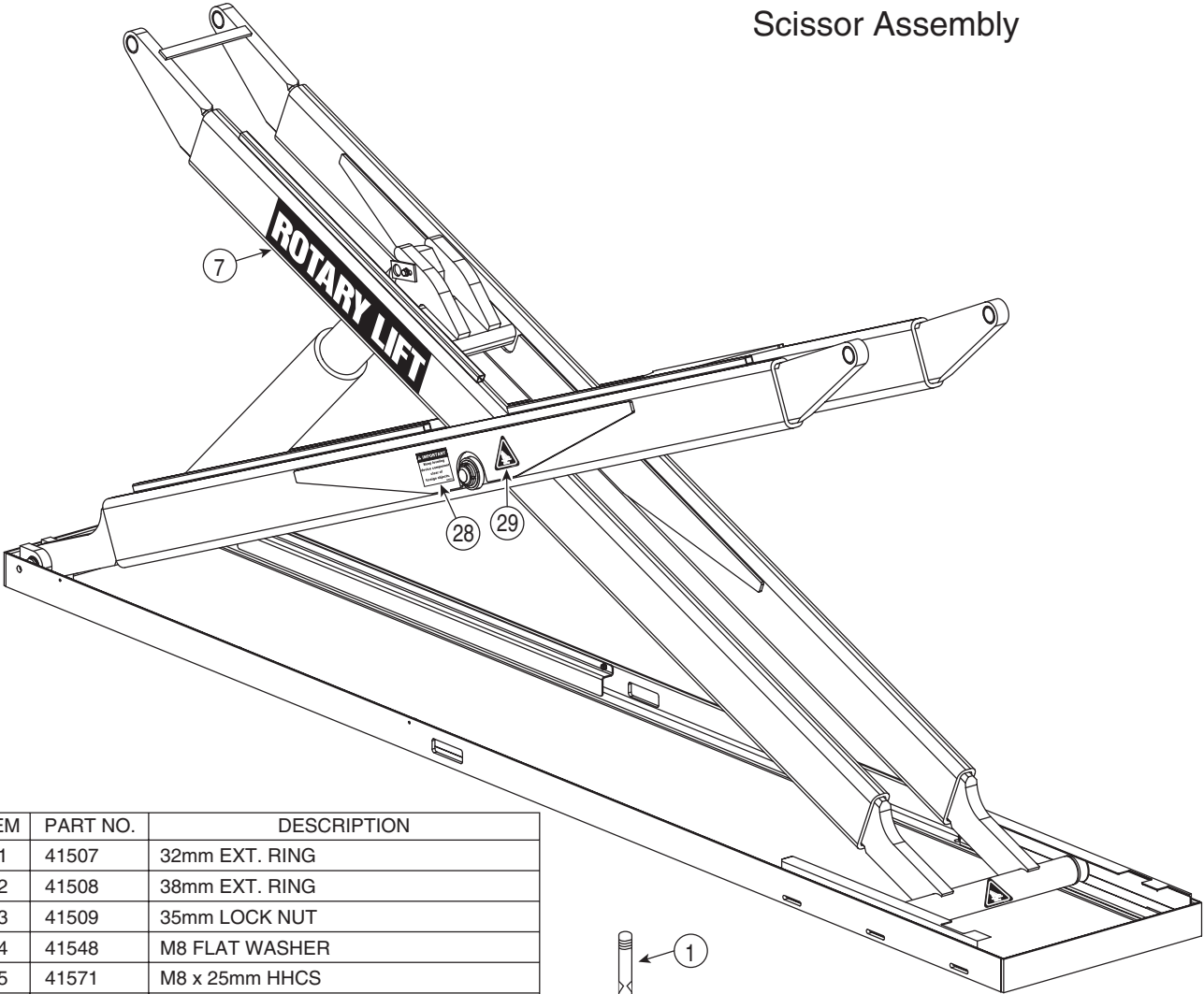
NOTE: For replacement parts -See your nearest Rotary Parts Distributor.

PB 2-33-2
Rev.C 02/18/2004

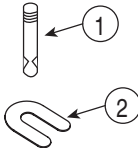
Scissor Assembly



Scissor Assembly



| ITEM | PART NO. | DESCRIPTION |
|------|----------|-------------------------------|
| 1 | 41507 | 32mm EXT. RING |
| 2 | 41508 | 38mm EXT. RING |
| 3 | 41509 | 35mm LOCK NUT |
| 4 | 41548 | M8 FLAT WASHER |
| 5 | 41571 | M8 x 25mm HHCS |
| 6 | 41574 | M8 LOCK WASHER |
| 7 | NP707 | ROTARY LABEL (BLACK) |
| | NP708 | ROTARY LABEL (BLUE) |
| | NP709 | ROTARY LABEL (RED) |
| 8 | XS110005 | OUTTER SCISSOR ASSEMBLY |
| 9 | XS110006 | INNER SCISSOR ASSEMBLY |
| 10 | XS110024 | BASE ASSEMBLY |
| 11 | XS110033 | CYLINDER PIN |
| 12 | XS120050 | WASHER, 1-1/4" UHMW |
| 13 | XS120051 | WASHER, 1-1/2" UHMW |
| 14 | XS130007 | HYD. FITTING, LONG 90 |
| 15 | XS130008 | HYD. CYLINDER |
| 16 | XS130012 | WHEEL |
| 17 | XS130013 | CENTER PIN |
| 18 | XS130014 | PIVOT PIN |
| 19 | XS130015 | LOWER HYD. CYLINDER PIN |
| 20 | XS130025 | SELF LUBE BEARING |
| 21 | XS130026 | SELF LUBE BEARING |
| 22 | XS130024 | SELF LUBE BEARING |
| 23 | XS130026 | SELF LUBE BEARING |
| 24 | XS130021 | SELF LUBE BEARING |
| 25 | XS130027 | SELF LUBE BEARING |
| 26 | XS120077 | HOSE GUARD |
| 27 | 41596 | M6X10MM SERRATED HX FLANGE CS |
| 28 | NP682 | LEVELING DEVICE LABEL |
| 29 | NP663 | PINCH POINT LABEL |

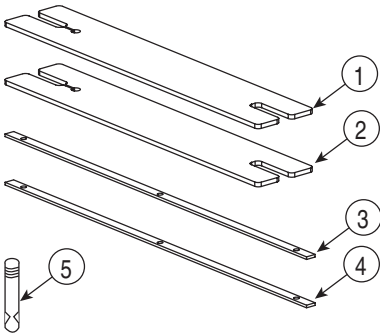


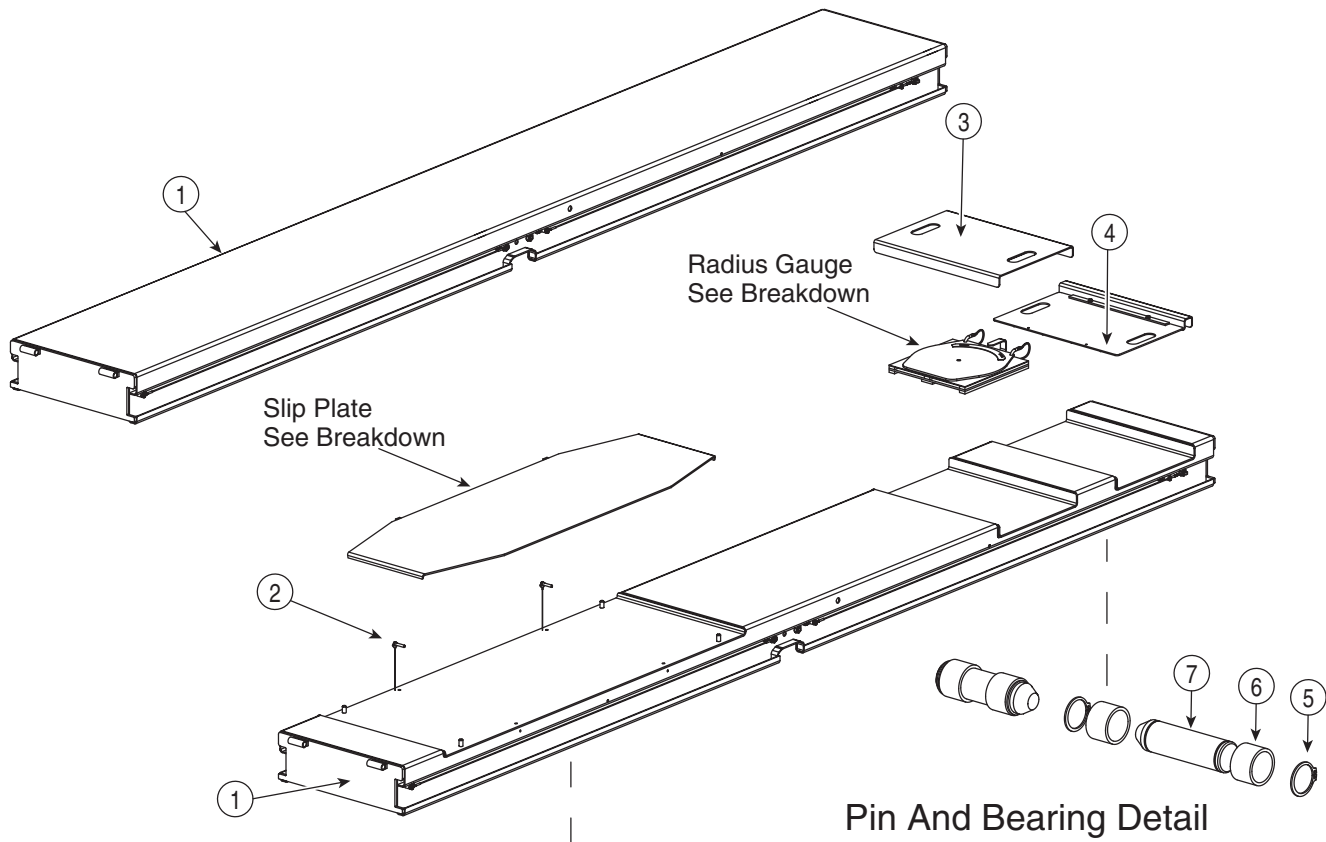
Standard Shim And Anchor Bolt

| ITEM | PART NO. | DESCRIPTION |
|------|----------|-----------------------------|
| 1 | 40324 | KWIK BOLT II 1/2" x 4-1/2" |
| 2 | GP1018 | BUNDLE OF SHIMS - 50 PIECES |

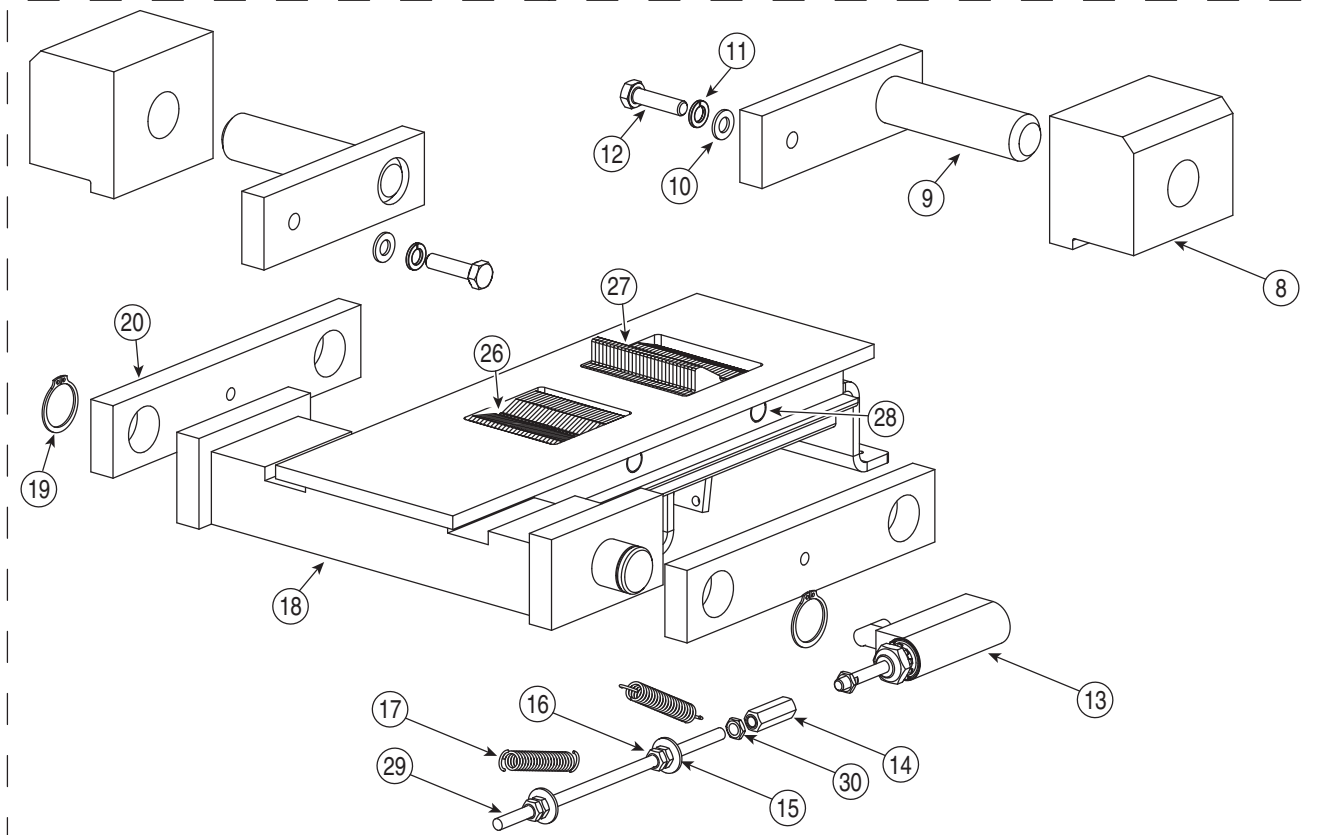
XS100002 Shim Kit

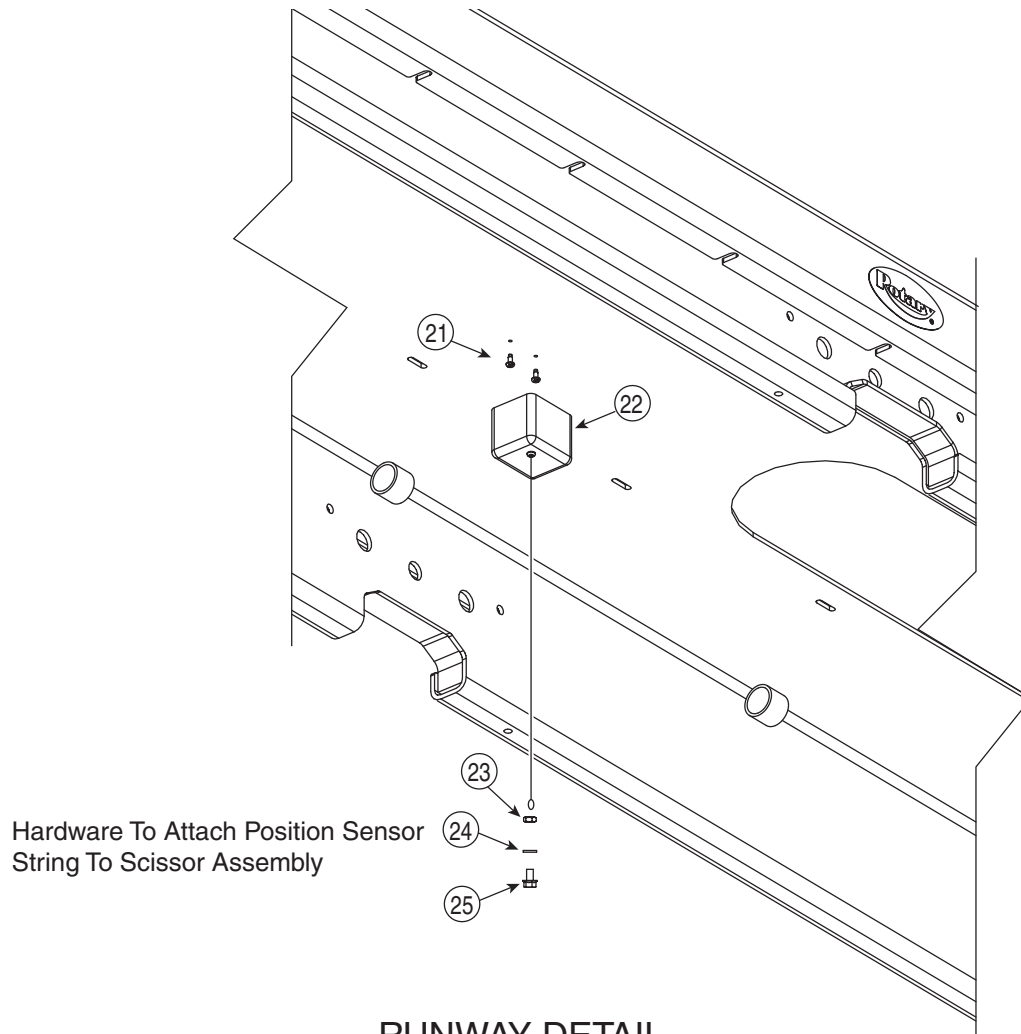
| ITEM | PART NO. | DESCRIPTION | Qty. In Kit |
|------|----------|----------------------------|-------------|
| 1 | XS120102 | SHIM, 1/4" | 12 |
| 2 | XS120103 | SHIM, 1/16" | 6 |
| 3 | XS120105 | COVER SHIM, 1/4" | 8 |
| 4 | XS120106 | COVER SHIM, 1/8" | 8 |
| 5 | 40323 | KWIK BOLT II 1/2" x 5-1/2" | 12 |





Carriage Assembly (XS110022)
For Models Manufactured Before
2/1/04

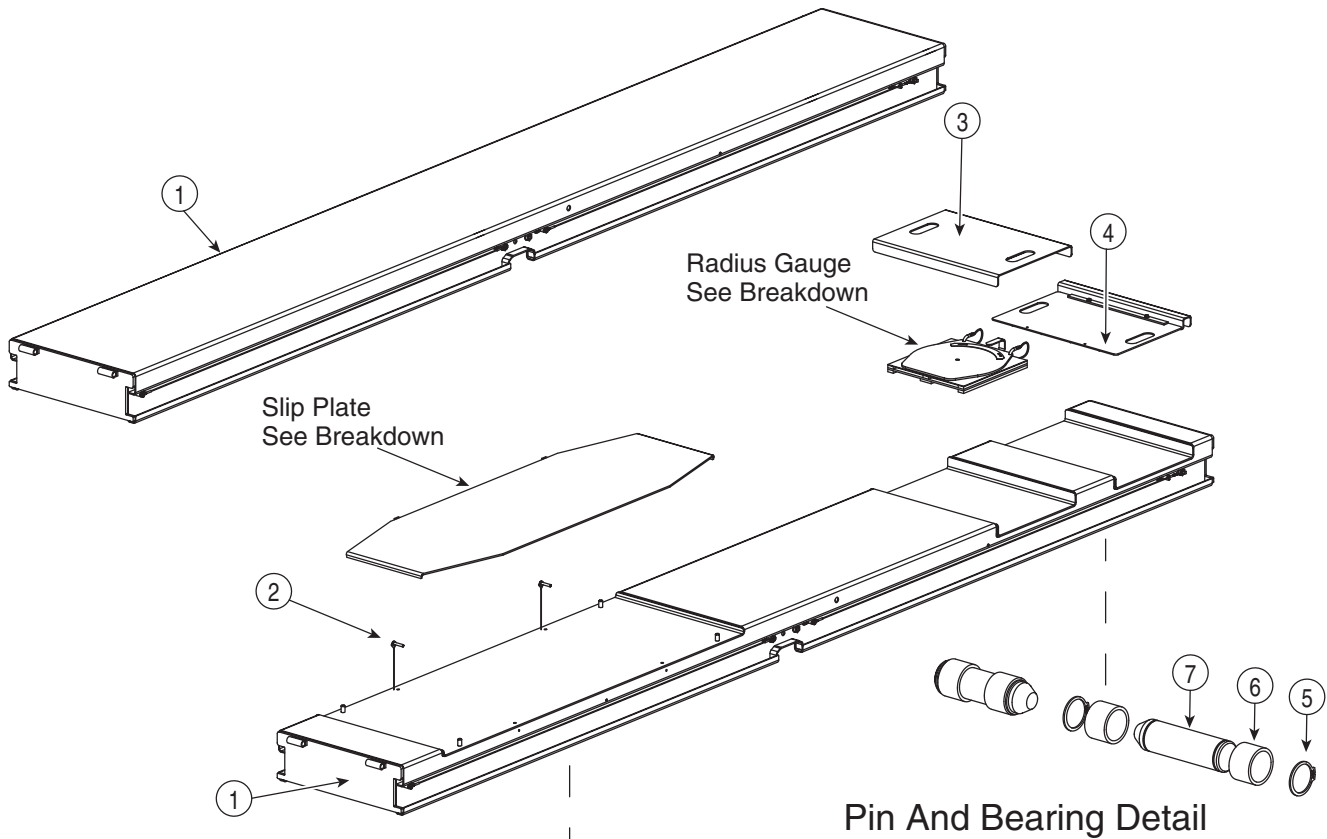




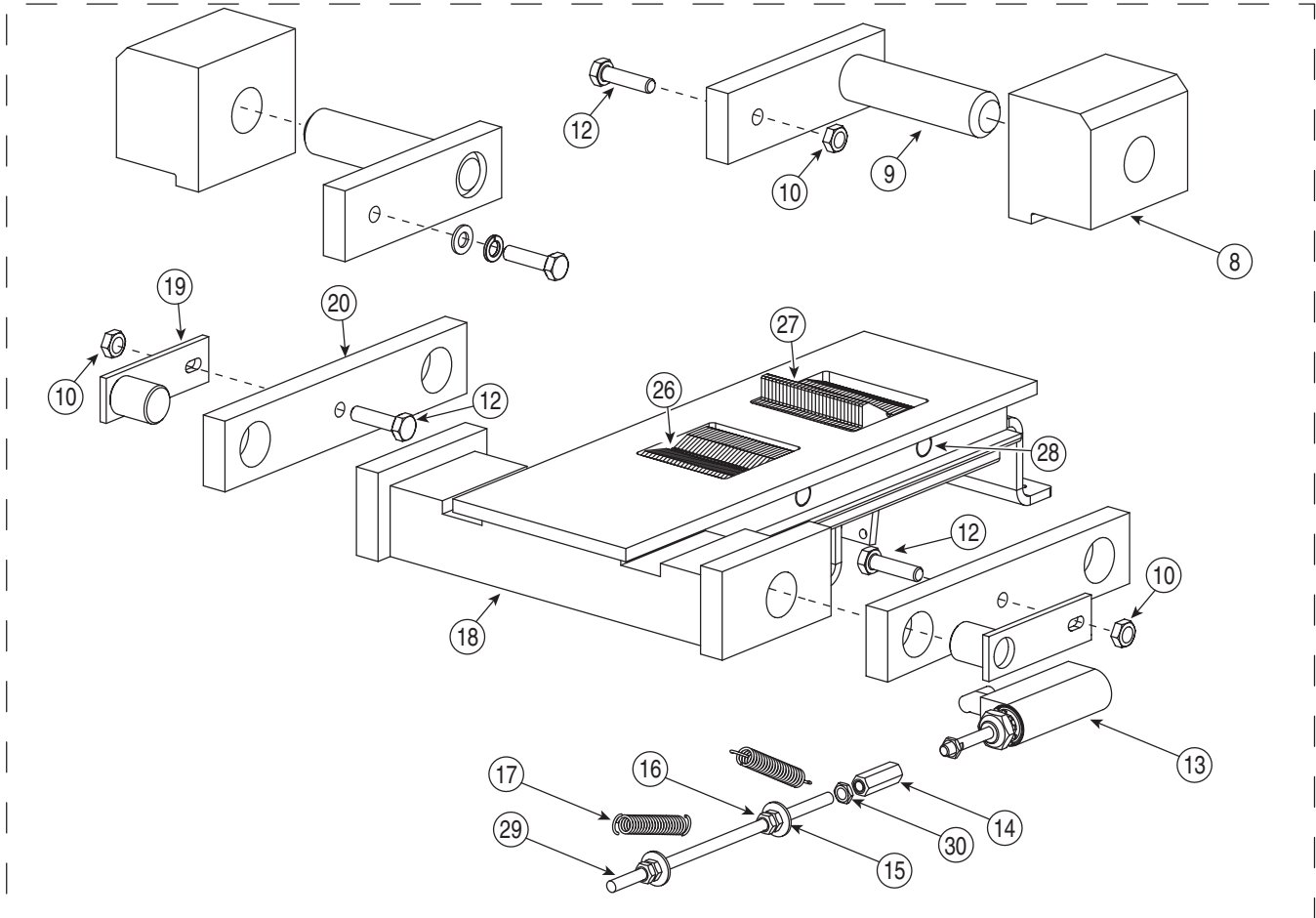
RUNWAY DETAIL For Models Manufactured Before 2/1/04

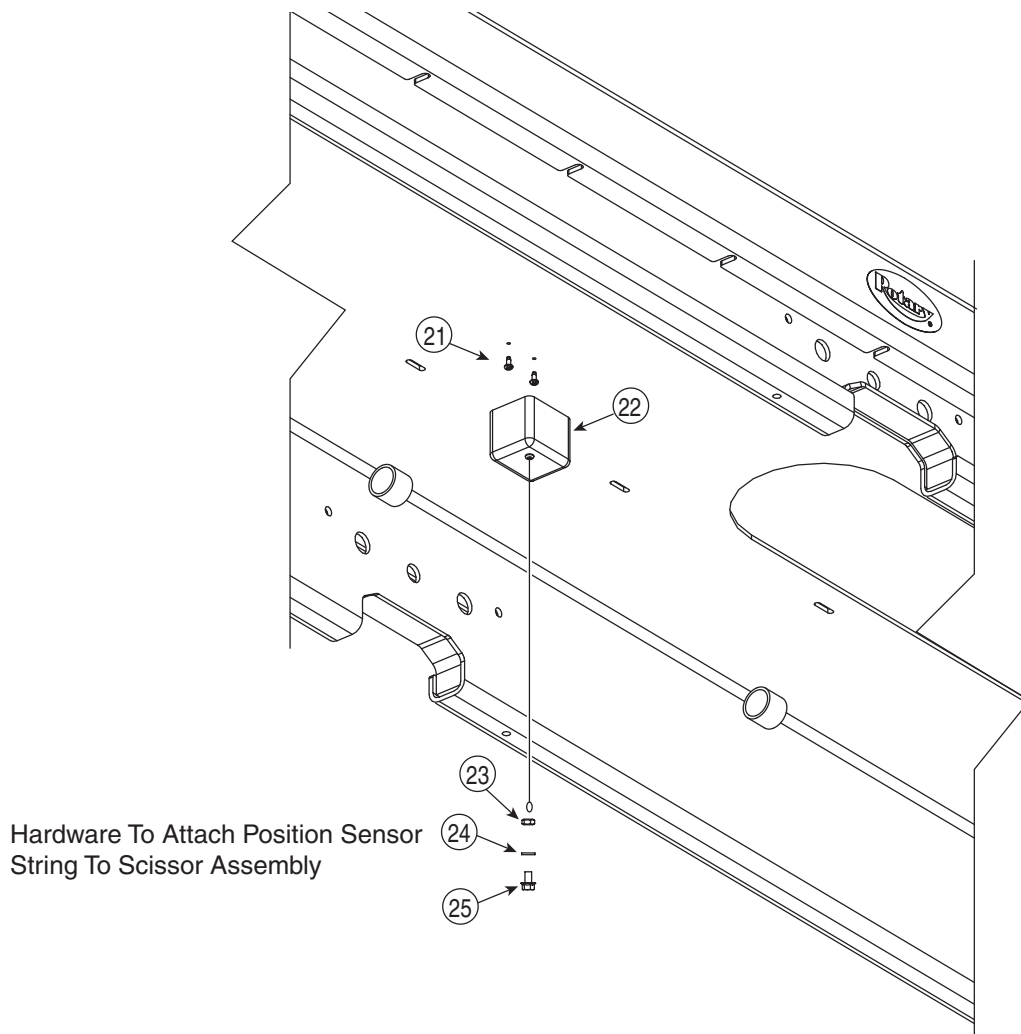
| ITEM | PART NO. | DESCRIPTION | ITEM | PART NO. | DESCRIPTION |
|------|----------|------------------------------------|------|----------|--------------------------------|
| 1 | XS110043 | RUNWAY (LEFT) - LONG ALIGNMENT | 15 | 41585 | M8 FENDER WASHER |
| | XS110044 | RUNWAY (RIGHT) - LONG ALIGNMENT | 16 | 41609 | M8 NUT |
| | XS110071 | RUNWAY (LEFT) - LONG FLAT (W/IA)* | 17 | FC522-25 | EXTENSION SPRING |
| | XS110084 | RUNWAY (LEFT) - LONG FLAT | 18 | XS110017 | CARRIAGE WELD |
| | XS110070 | RUNWAY (RIGHT) - LONG FLAT | 19 | 41507 | 32mm EXTERNAL RETAINING RING |
| | XS110065 | RUNWAY (LEFT) - SHORT ALIGNMENT | 20 | XS120042 | DRAG LINK |
| | XS110064 | RUNWAY (RIGHT) - SHORT ALIGNMENT | 21 | 41614 | M4 X 10mm Lg. PHIL. PHMS |
| | XS110059 | RUNWAY (LEFT) - SHORT FLAT (W/IA)* | 22 | XS130009 | POSITION SENSOR |
| | XS110082 | RUNWAY (LEFT) - SHORT FLAT | 23 | 41600 | M6 NUT |
| | XS110058 | RUNWAY (RIGHT) - SHORT FLAT | 24 | FA7210-4 | M6 FLAT WASHER PLTD. |
| 2 | FC5283 | LOCK PIN ASSEMBLY | 25 | 41596 | M6 X 10mm HEX FLANGE CAP SCREW |
| 3 | XS110034 | FILL PLATE | 26 | XS110018 | LOCK DOG 1 |
| 4 | XS110048 | RADIUS FILL ASSEMBLY | 27 | XS110019 | LOCK DOG 2 |
| 5 | 41507 | 32mm EXTERNAL RETAINING RING | 28 | XS120047 | LOCK DOG PIN |
| 6 | XS130027 | SELF LUBE BEARING | 29 | XS120048 | LOCK ACTUATOR BAR |
| 7 | XS130014 | PIVOT PIN | 30 | 41581 | M8 HEX JAM NUT |
| 8 | XS130011 | UPR SLIDER BLOCK (UHMW) | | | |
| 9 | XS110013 | SLIDER PIN | | | |
| 10 | 41538 | M10 FLAT WASHER | | | |
| 11 | 41573 | M10 LOCK WASHER | | | |
| 12 | 41569 | M10 X 40mm HEX HEAD CAP SCREW | | | |
| 13 | XS130019 | AIR CYLINDER | | | |
| 14 | 41582 | M8 COUPLING NUT | | | |

(W/IA) = WITH INTERNAL AIR



Carriage Assembly (XS110022)
For Models Manufactured After 2/1/04





Hardware To Attach Position Sensor String To Scissor Assembly

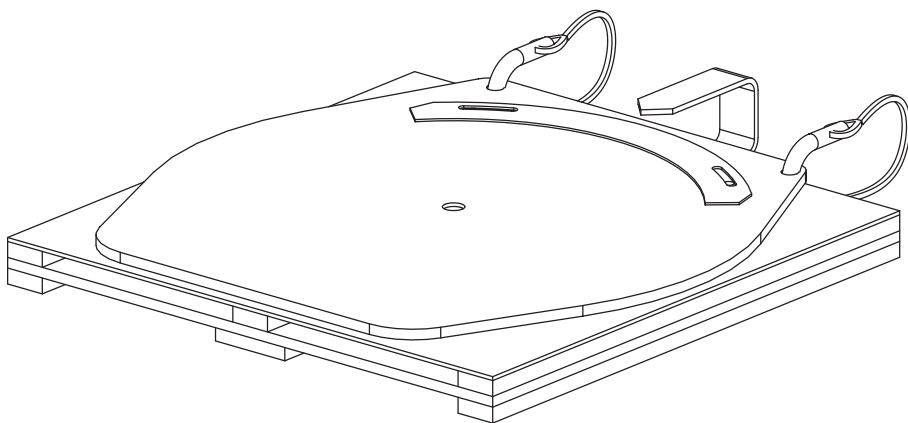
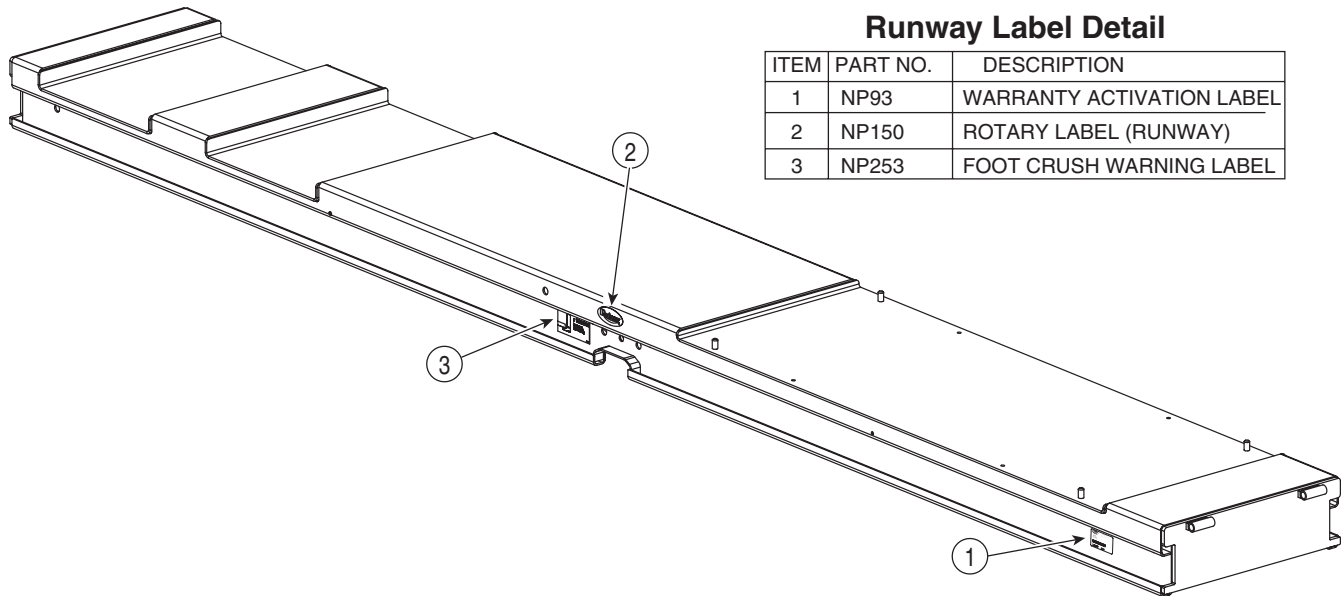
RUNWAY DETAIL For Models Manufactured After 2/1/04

| ITEM | PART NO. | DESCRIPTION | ITEM | PART NO. | DESCRIPTION |
|------|----------|------------------------------------|------|----------|--------------------------------|
| 1 | XS110043 | RUNWAY (LEFT) - LONG ALIGNMENT | 15 | 41585 | M8 FENDER WASHER |
| | XS110044 | RUNWAY (RIGHT) - LONG ALIGNMENT | 16 | 41609 | M8 NUT |
| | XS110071 | RUNWAY (LEFT) - LONG FLAT (W/IA)* | 17 | FC522-25 | EXTENSION SPRING |
| | XS110084 | RUNWAY (LEFT) - LONG FLAT | 18 | XS110017 | CARRIAGE WELD |
| | XS110070 | RUNWAY (RIGHT) - LONG FLAT | 19 | XS120152 | DRAG LINK PIN |
| | XS110065 | RUNWAY (LEFT) - SHORT ALIGNMENT | 20 | XS120042 | DRAG LINK |
| | XS110064 | RUNWAY (RIGHT) - SHORT ALIGNMENT | 21 | 41614 | M4 X 10mm Lg. PHIL. PHMS |
| | XS110059 | RUNWAY (LEFT) - SHORT FLAT (W/IA)* | 22 | XS130009 | POSITION SENSOR |
| | XS110082 | RUNWAY (LEFT) - SHORT FLAT | 23 | 41600 | M6 NUT |
| | XS110058 | RUNWAY (RIGHT) - SHORT FLAT | 24 | FA7210-4 | M6 FLAT WASHER PLTD. |
| 2 | FC5283 | LOCK PIN ASSEMBLY | 25 | 41596 | M6 X 10mm HEX FLANGE CAP SCREW |
| 3 | XS110034 | FILL PLATE | 26 | XS110018 | LOCK DOG 1 |
| 4 | XS110048 | RADIUS FILL ASSEMBLY | 27 | XS110019 | LOCK DOG 2 |
| 5 | 41507 | 32mm EXTERNAL RETAINING RING | 28 | XS120047 | LOCK DOG PIN |
| 6 | XS130027 | SELF LUBE BEARING | 29 | XS120048 | LOCK ACTUATOR BAR |
| 7 | XS130014 | PIVOT PIN | 30 | 41581 | M8 HEX JAM NUT |
| 8 | XS130011 | UPR SLIDER BLOCK (UHMW) | | | |
| 9 | XS110013 | SLIDER PIN | | | |
| 10 | 41537 | M10 NUT | | | |
| 11 | NA | NA | | | |
| 12 | 41620 | M10 X 60mm HEX HEAD CAP SCREW | | | |
| 13 | XS130019 | AIR CYLINDER | | | |
| 14 | 41582 | M8 COUPLING NUT | | | |

(W/IA) = WITH INTERNAL AIR

Runway Label Detail

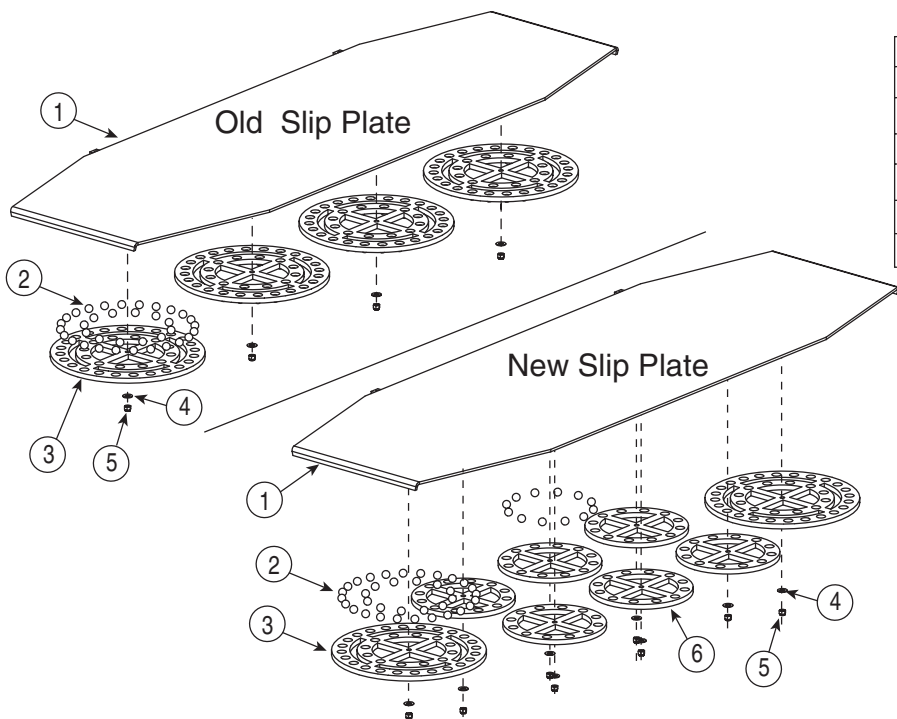
| ITEM | PART NO. | DESCRIPTION |
|------|----------|---------------------------|
| 1 | NP93 | WARRANTY ACTIVATION LABEL |
| 2 | NP150 | ROTARY LABEL (RUNWAY) |
| 3 | NP253 | FOOT CRUSH WARNING LABEL |



| FA5153 STAINLESS STEEL RADIUS GAUGE | |
|-------------------------------------|----|
| RADIUS GAUGE REBUILD KIT | |
| DELRIN BALLS | 54 |
| ZINC INTERNAL LOCK WASHERS | 2 |
| CARBON SPRINGS | 8 |
| BEARING RETAINERS | 2 |
| TOP TAPER SCREWS | 2 |
| BOTTOM SET SCREWS | 2 |

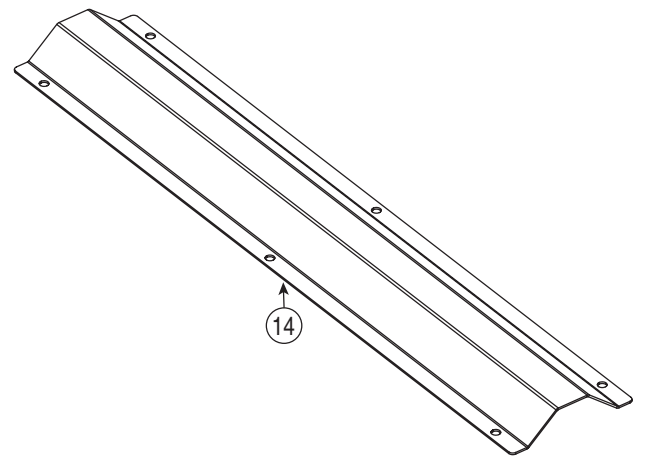
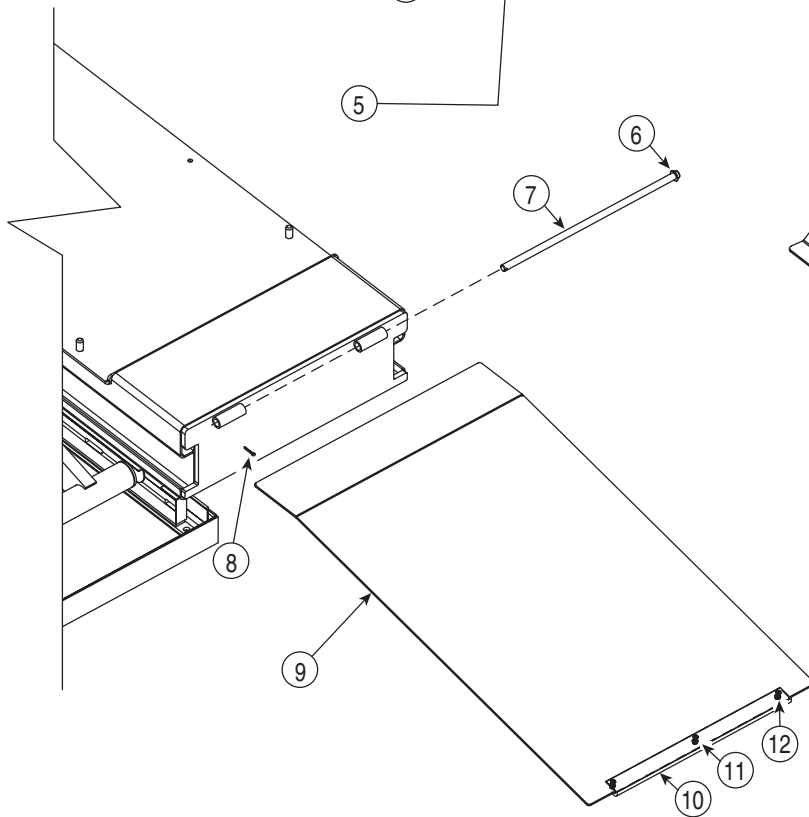
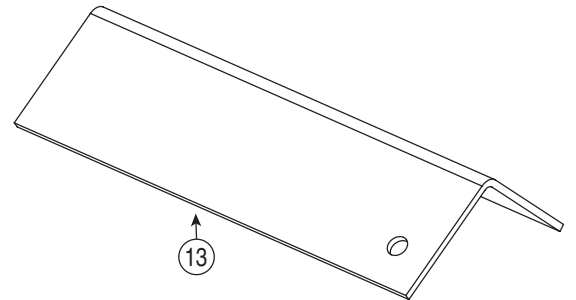
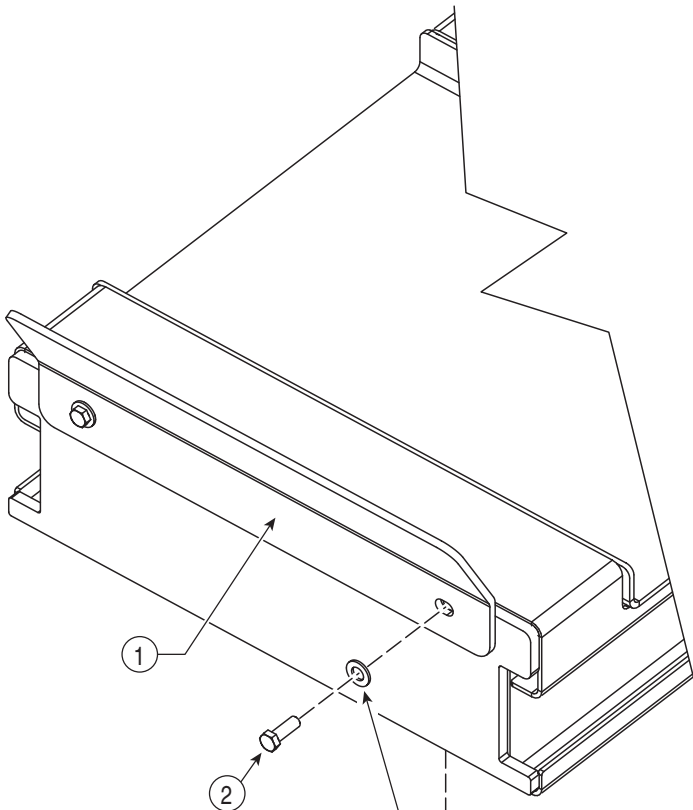
XS110049 Slip Plate Assembly

| ITEM | PART NO. | DESCRIPTION |
|------|-----------|---------------------------|
| 1 | XS110029 | SLIP PLATE WELD |
| 2 | FC5190-7 | BALL |
| 3 | FC5190-31 | BALL RETAINER |
| 4 | 40859 | 7/16" WASHER |
| 5 | 40657 | 3/8" NYLON INSERT LOCKNUT |
| 6 | XS120149 | INNER RETAINER |

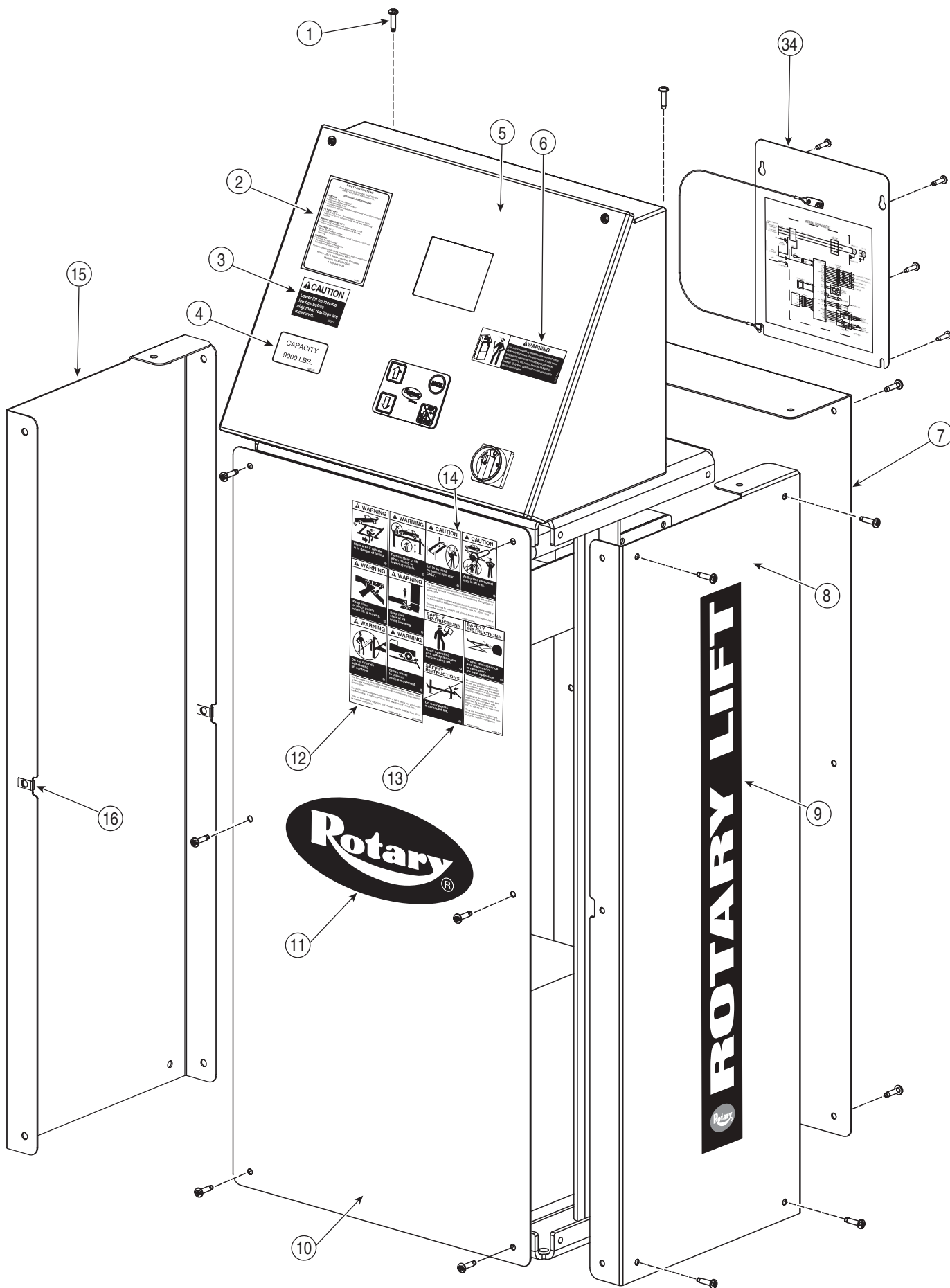


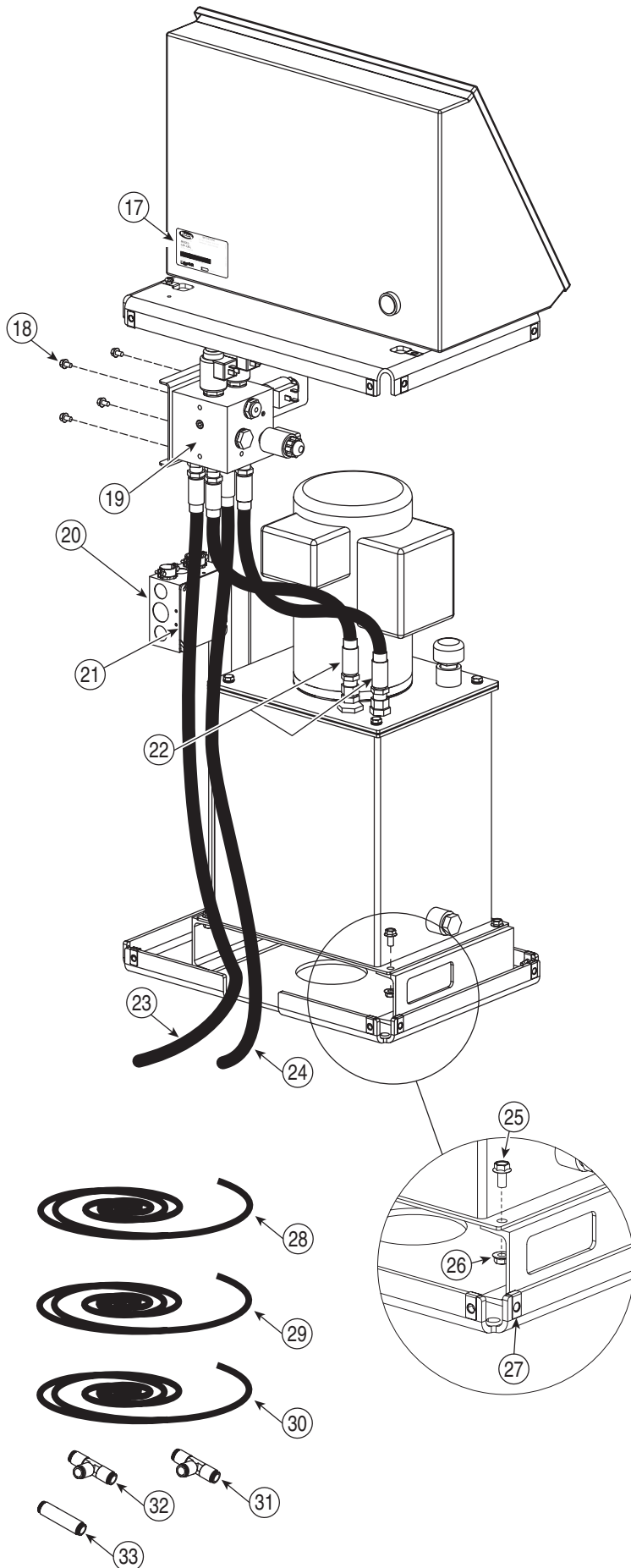
Ramp/Wheel Stop Detail

| ITEM | PART NO. | DESCRIPTION |
|------|----------|-------------------------------|
| 1 | XS120062 | WHEEL STOP |
| 2 | 41572 | M14 X 40MM HEX HEAD CAP SCREW |
| 3 | 41577 | M14 FLAT WASHER |
| 4 | 41578 | M14 LOCK WASHER |
| 5 | 41579 | M14 NUT |
| 6 | FC5179-4 | 5/8" PUSH NUT |
| 7 | FC5179-5 | HINGE PIN |
| 8 | 41202 | 5/32" x 1" COTTER PIN |
| 9 | XS110027 | RAMP |
| 10 | FC134-33 | 20" CHOCK SLIDER |
| 11 | 40633 | #10-24NC WHIZLOCK NUT |
| 12 | 40050 | #10-24NC x 3/4" SLTRUSSHMS |
| 13 | FC320 | WHEEL CHOCK |
| 14 | XS120092 | FLOOR COVER |

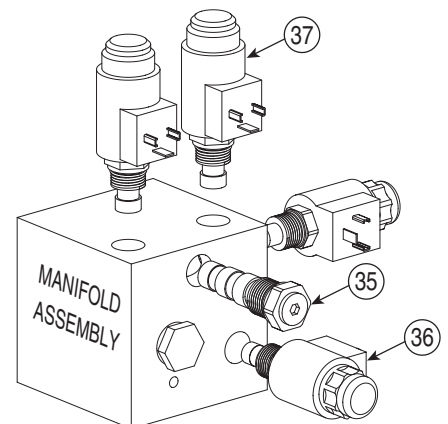


Control Panel Detail

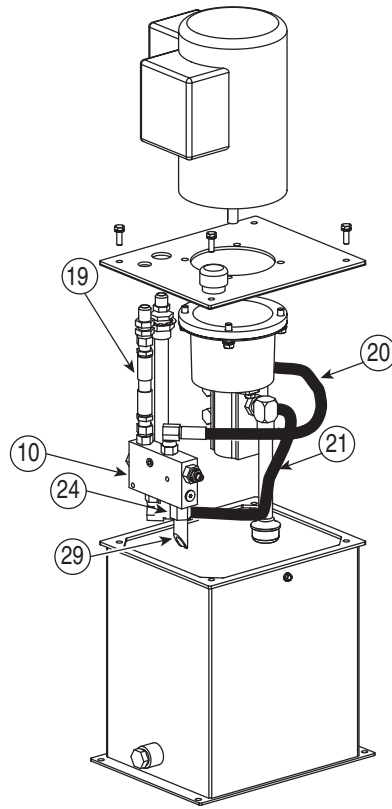
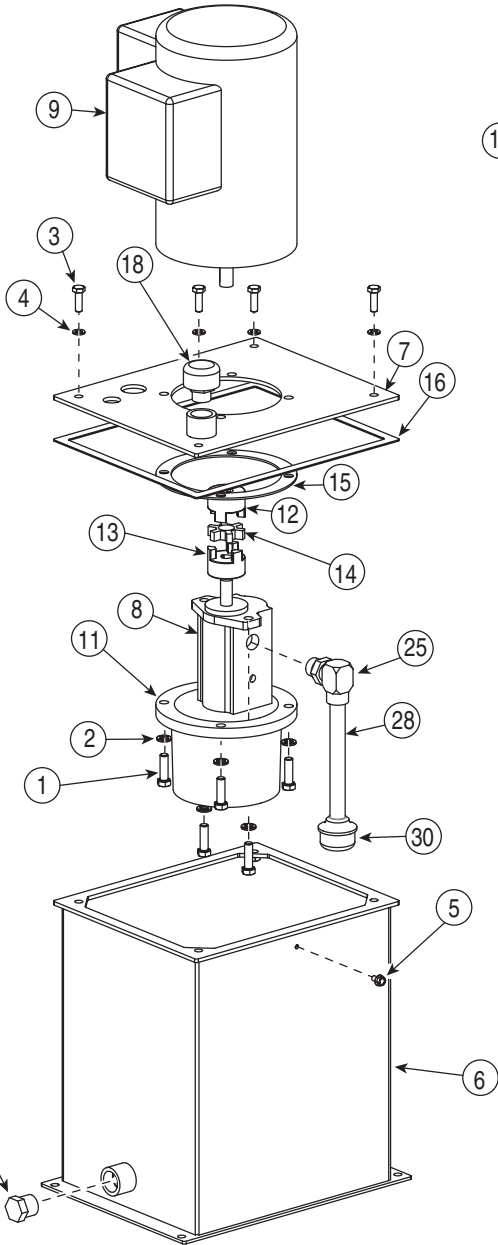




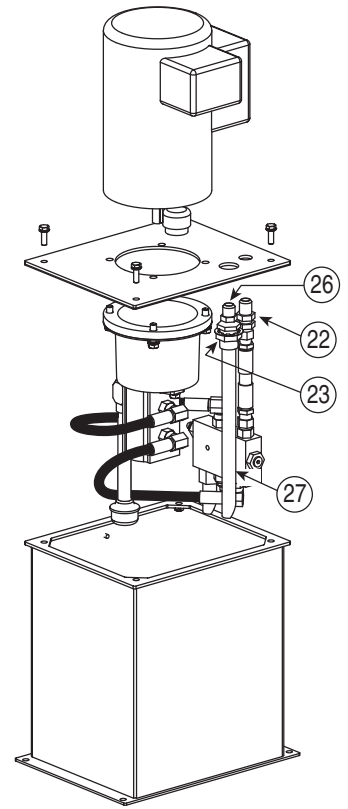
| ITEM | PART NO. | DESCRIPTION |
|------|-----------|------------------------------------|
| 1 | 41586 | M6 x 25mm Phillips PHMS |
| 2 | NP567 | SAFETY INSTRUCTION LABEL |
| 3 | NP277 | CAUTION LABEL |
| 4 | NP242 | CAPACITY LABEL |
| 5 | XS130002 | CONTROL PANEL (UPPER ENCLOSURE) |
| 6 | NP715 | SERVICE WARNING LABEL |
| 7 | XS120069 | REAR PANEL (Without Access Panel) |
| 7 | XS120147 | REAR PANEL (With Access Panel) |
| 8 | XS120070 | RIGHT SIDE PANEL |
| 9 | NP700 | ROTARY LIFT LABEL (SIDE PANELS) |
| 10 | XS120068 | FRONT PANEL |
| 11 | NP656 | ROTARY OVAL LABEL (FRONT PANEL) |
| 12 | NP349 | WARNING LABELS (FRONT PANEL) |
| 13 | NP350 | SAFETY INSTRUCTION LABELS |
| 14 | NP351 | CAUTION LABELS |
| 15 | XS120071 | LEFT SIDE PANEL |
| 16 | 41587 | M6 .8-4 TAPPED HOLE U-NUT |
| 17 | NP93 | WARRANTY ACTIVATION LABEL |
| 18 | 41596 | M6 x 10mm SERRATED HFCS |
| 19 | XS130001 | MANIFOLD ASSEMBLY |
| 20 | XS130047 | JUNCTION BOX |
| 21 | FA925-1 | JUNCTION BOX LID |
| 22 | XS130056 | HYD. MANIFOLD LINE |
| 23 | XS130029 | HYD. HOSE SHORT (TO LEFT CYLINDER) |
| 24 | XS130028 | HYD. HOSE LONG (TO RIGHT CYLINDER) |
| 25 | 41597 | M8 x 16mm SERRATED HFCS |
| 26 | 41541 | M8X1.25 FLANGED HEX LOCKNUT PL |
| 27 | 41588 | M6 3.5-6.5 TAPPED HOLE U-NUT |
| 28 | XS130030 | DATA CABLE (POSITION SENSORS) |
| 29 | FA2230-15 | 3/8" PARAFLEX HOSE 40' LONG |
| 30 | FA2230-2 | 1/4" AIR LINE 50' LONG |
| 31 | FA2242-1 | UNION TEE AQ9P-6x6x4 |
| 32 | FC5225-46 | PUSH CONN. UNION TEE - 1/4" TUBE |
| 33 | FC5225-98 | UNION |
| 34 | XS110086 | ACCESS PANEL COVER |
| 35 | XS130113 | FLOW DIVIDER / COMBINER VALVE |
| 36 | XS130112 | BLOCKING VALVE |
| 37 | XS130069 | BLEED-OFF VALVE |



Control Panel Motor, Pump, And Tank Detail

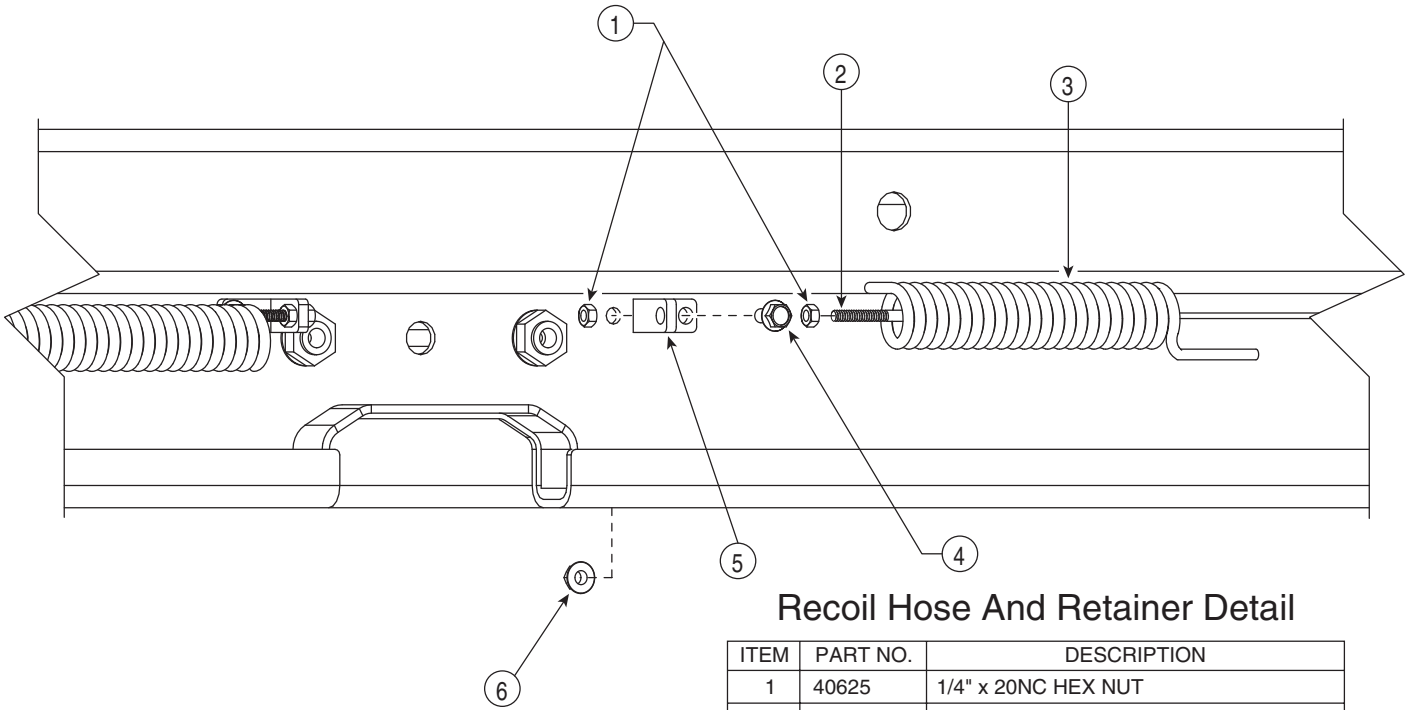


Hose And Valve Block Detail
(Front View)



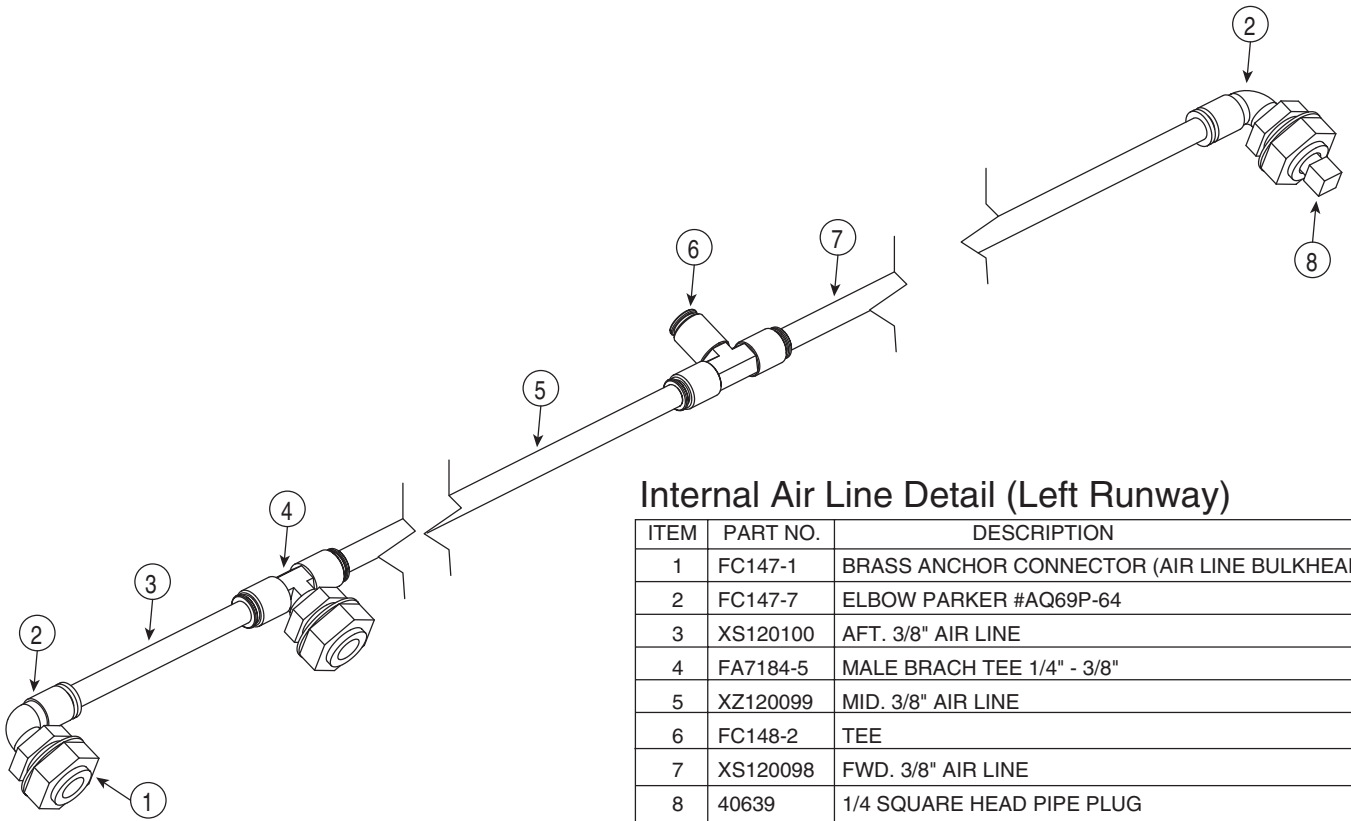
Hose And Valve Block Detail
(Rear View)

| ITEM | PART NO. | DESCRIPTION |
|------|----------|---------------------------------------|
| 1 | 40191 | 3/8"-16NC x 1-1/4" Lg HHCS, GRD5 PLTD |
| 2 | 40815 | 3/8" HELICAL SPRING LW, PLTD |
| 3 | 41571 | M8 x 25mm Hex Head Cap Screw |
| 4 | 41574 | M8 LOCK WASHER |
| 5 | 41596 | M6 X 10mm Hex Flange Cap Screw |
| 6 | XS110053 | HYDRAULIC RESERVOIR WELD |
| 7 | XS110054 | TOP PLATE WELDMENT |
| 8 | XS130004 | HYDRAULIC PUMP |
| 9 | XS130005 | SINGLE PHASE MOTOR |
| | XS130064 | THREE PHASE MOTOR |
| 10 | XS130036 | PUMP VALVE BLOCK |
| 11 | XS130037 | PUMP ADAPTER |
| 12 | XS130038 | MOTOR COUPLING |
| 13 | XS130039 | PUMP COUPLING |
| 14 | XS130040 | COUPLING INSERT (SPIDER) |
| 15 | XS130041 | CORK GASKET |
| 16 | XS130043 | GASKET |
| 17 | XS130044 | DRAIN PLUG |
| 18 | XS130045 | FILL/BREATHER CAP |
| 19 | XS130048 | HYD TUBING, SYSTEM LINE |
| 20 | XS130049 | HYD HOSE, 1st STAGE PUMP |
| 21 | XS130050 | HYD HOSE, 2nd STAGE PUMP |
| 22 | XS130051 | HYD. FITTING, 3/4 MALE BULKHEAD |
| 23 | XS130052 | HYD. FITTING, 1/2 NPT BULKHEAD |
| 24 | XS130053 | HYD. FITTING, 3/4 MALE STRAIGHT |
| 25 | XS130054 | HYD. FITTING, 7/8 90 |
| 26 | XS130055 | HYD. FITTING, 3/4 STRAIGHT |
| 27 | XS130058 | CPVC RETURN TUBE |
| 28 | XS130059 | CPVC SUCTION TUBE |
| 29 | XS130060 | CPVC RELIEF TUBE |
| 30 | XS130061 | STRAINER |



Recoil Hose And Retainer Detail

| ITEM | PART NO. | DESCRIPTION |
|------|----------|--------------------------------|
| 1 | 40625 | 1/4" x 20NC HEX NUT |
| 2 | S130078 | AIRLINE RETAINER CABLE |
| 3 | FC147-14 | RECOIL HOSE 1/4" |
| 4 | 41597 | M8 x 16mm HEX FLANGE CAP SCREW |
| 5 | FC147-9 | RETAINER BRACKET |
| 6 | 41541 | M8 x 1.25 FLANGED LOCK NUT |



Internal Air Line Detail (Left Runway)

| ITEM | PART NO. | DESCRIPTION |
|------|----------|--|
| 1 | FC147-1 | BRASS ANCHOR CONNECTOR (AIR LINE BULKHEAD) |
| 2 | FC147-7 | ELBOW PARKER #AQ69P-64 |
| 3 | XS120100 | AFT. 3/8" AIR LINE |
| 4 | FA7184-5 | MALE BRACH TEE 1/4" - 3/8" |
| 5 | XZ120099 | MID. 3/8" AIR LINE |
| 6 | FC148-2 | TEE |
| 7 | XS120098 | FWD. 3/8" AIR LINE |
| 8 | 40639 | 1/4 SQUARE HEAD PIPE PLUG |

Notes:

Notes: