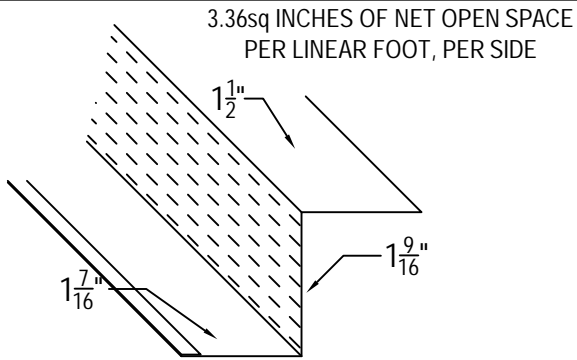


# 1.5 STANDARD TRIM

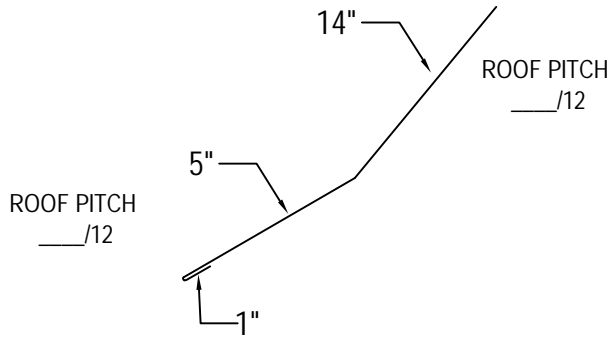
MATERIAL (please choose one):

- |                                      |                                      |                                    |
|--------------------------------------|--------------------------------------|------------------------------------|
| <input type="checkbox"/> 26 GA Steel | <input type="checkbox"/> 22 GA Steel | <input type="checkbox"/> .040 Alum |
| <input type="checkbox"/> 24 GA Steel | <input type="checkbox"/> .032 Alum   | <input type="checkbox"/> .050 Alum |

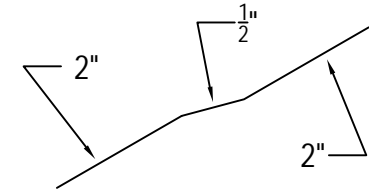
Color: \_\_\_\_\_ Finish: \_\_\_\_\_



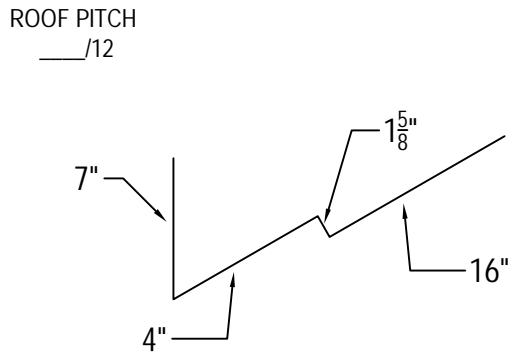
STANDING SEAM VENTED Z-FLASHING  
\_\_\_\_\_ LINEAR FEET (120" PCS)



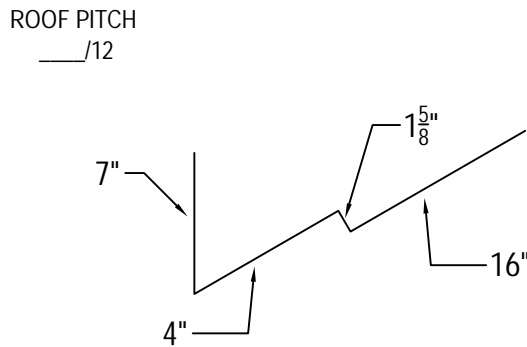
STANDING SEAM TRANSITION FLASHING  
\_\_\_\_\_ LINEAR FEET (120" PCS)



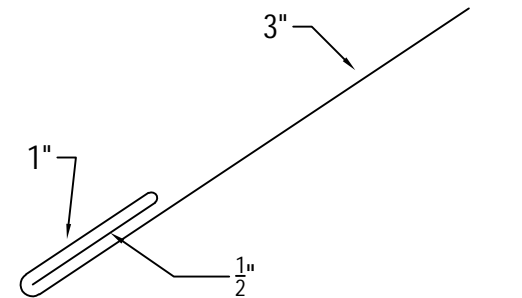
STANDING SEAM TRANSITION CLEAT  
\_\_\_\_\_ LINEAR FEET (120" PCS)



STANDING SEAM CHIMNEY BACK  
\_\_\_\_\_ LINEAR FEET (120" PCS)



STANDING SEAM SKYLIGHT BACK  
\_\_\_\_\_ LINEAR FEET (120" PCS)



STANDING SEAM RAKE EDGE J-CHANNEL  
\_\_\_\_\_ LINEAR FEET (120" PCS)

Notes:

- 1) Ship To Address: \_\_\_\_\_  
City: \_\_\_\_\_ State: \_\_\_\_\_ Zip: \_\_\_\_\_
- 2) Written approval is required prior to fabrication, contractor is responsible for all dimensions and quantities. Fabricated items are not returnable.

Sheet \_\_\_ of \_\_\_. DWG# 720-007

Temple Architectural Products  
1111 Lowell St.  
Elyria, OH 44035

Phone: (440) 323-9393  
Fax: (440) 412-7559

Project Name: \_\_\_\_\_

Installing Contractor: \_\_\_\_\_

Contact Name: \_\_\_\_\_

Contact number: \_\_\_\_\_

Signed Approval: \_\_\_\_\_