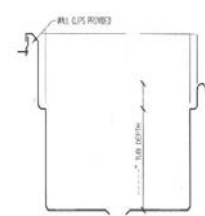
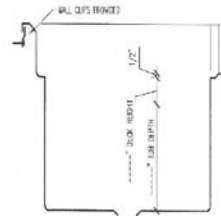
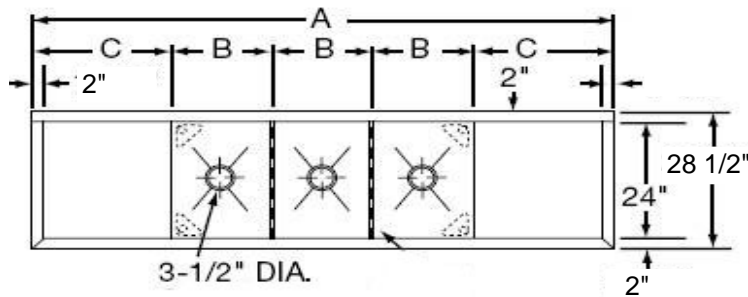
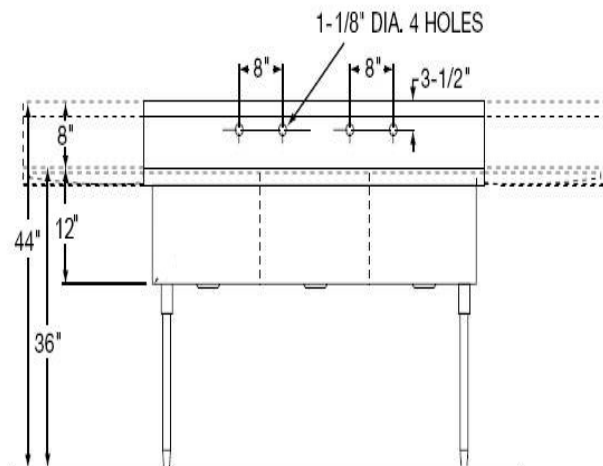


WICKETTS STAINLESS SPECIFICATION

Commercial Sink
Three Compt. WCS-4300-LR



Model Number	A	B	C
WCS 4318-LR	93	18	18
WCS 4324-LR	123	24	24
WCS 4330-LR	141	30	24
WCS 4336-LR	159	36	24
WCS Custom			



Engineering Specification:

14 gauge, type 304 stainless steel scullery sink. 12" deep construction. Full length 8" high backsplash with 45° sloped top. 1-1/2" wide sloping top channel rims. Exposed surfaces polished to a satin finish. Supported on (4) stainless steel, 1-5/8" O.D. tubular legs, Adjustable bullet feet.

WICKETTS STAINLESS, LLC
2618 San Miguel Dr. Bldg. # 376
Newport Beach, CA 92660
Tel: 951-858-2548
Fax: 951-638-9059
www.wickettsstainless.com
Sales@wickettsstainless.com



Approved for Manufacturing

Company: _____

Signature: _____

Print: _____ Date: / /