

ISO Fittings

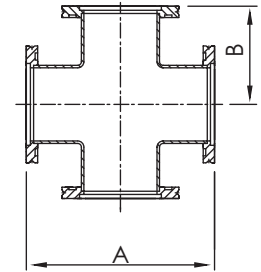
ISO-K 4-WAY CROSSES

*Material: SS 304L

*Tube Finish: Bead Blast



Part Number	Flange Size	A	B
ISOK-4C-63	ISO63	165.00	82.50
ISOK-4C-80	ISO80	177.80	88.90
ISOK-4C-80-1	ISO80	196.00	98.00
ISOK-4C-100	ISO100	209.40	104.70
ISOK-4C-100-1	ISO100	216.00	108.00
ISOK-4C-160	ISO160	266.60	133.30



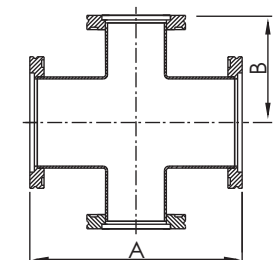
ISO-K 4-WAY REDUCING CROSSES

*Material: SS 304L

*Tube Finish: Bead Blast



Part Number	Flange Size	A	B
ISOK-4RC-80x63	ISO80/ISO63	177.70	88.85
ISOK-4RC-100x63	ISO100/ISO63	209.70	101.55
ISOK-4RC-100x80	ISO100/ISO80	209.70	101.55
ISOK-4RC-160x63	ISO160/ISO63	266.60	126.95
ISOK-4RC-160x80	ISO160/ISO80	266.60	126.95
ISOK-4RC-160x100	ISO160/ISO100	266.60	130.25



*Note: SS 316L Material Available on Request.

*Note: Polished and Electro- Polished Tube Finishes Available on Request.

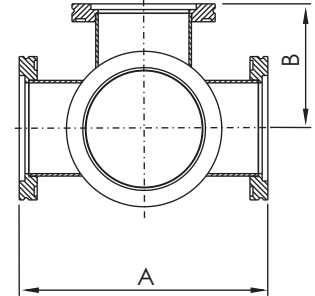
ISO
NW

ISO Fittings

ISO-K 5-WAY CROSSES

*Material: SS 304L

*Tube Finish: Bead Blast

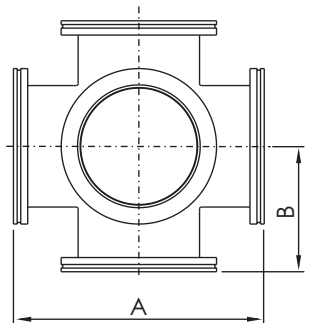


Part Number	Flange Size	A	B
ISOK-5C-63	ISO63	165.00	82.50
ISOK-5C-80	ISO80	177.80	88.90
ISOK-5C-100	ISO100	209.80	104.90
ISOK-5C-160	ISO160	266.60	133.30

ISO-K 6-WAY CROSSES

*Material: SS 304L

*Tube Finish: Bead Blast



Part Number	Flange Size	A	B
ISOK-6C-63	ISO63	165.00	82.50
ISOK-6C-80	ISO80	177.80	88.90
ISOK-6C-100	ISO100	209.80	104.90
ISOK-6C-160	ISO160	266.60	133.30

**ISO
NW**

*Note: SS 316L Material Available on Request.

*Note: Polished and Electro- Polished Tube Finishes Available on Request.