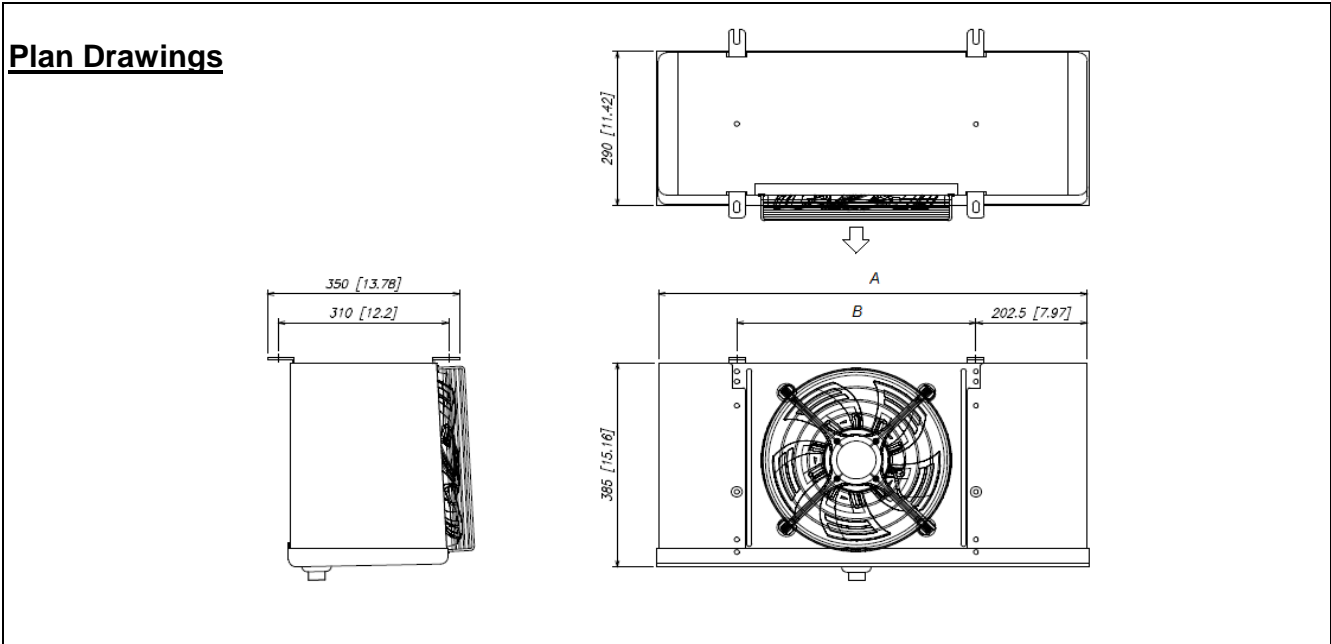




Infinity Refrigeration Inc
 9419 Ann Street
 Santa Fe Springs, CA 90670
 Ph: 888-328-9050
 Fx: 562-287-8903

Submittal Data/Drawings Sheet
 Low Profile Unit Cooler "ILE" Low Temp Model
 Remote Refrigeration System
 For Review Date: 12/21/2017
 For Approval By:

Job Name: _____ **Job Location:** _____
Engineer/ Architect : _____ **Customer:** _____ **Order #** _____
Model No. : _____ **Item No. :** _____ **Unit Qty:** _____ **Ref. #** _____
Notes:



Performance Data "ILE" Electric Defrost, Low Temperature (60Hz)

Unit Model Number	Capacity		Fan Data	
	BTuH / Watts	BTuH / Watts	12in / 30cm	CFM/ m³H
	10° F TD	10° F TD	Diameter	
ILE044B	-20° F SST	25° F SST <td>Qty</td> <td></td>	Qty	
	4,400 / 1,288		1	811 / 1,378

Physical Data

Unit Model Number	Refrigeration Connections (Inches)				Drain	Dimensions (inches/cm)				Weight (lbs/kgs)
	Coil Inlet	Suction	External Equalizer			A	B	C	D	
ILE044B	1/2 OD	5/8 ID	1/4 OD		3/4MPT	30.9/785	17.1 / 435			

Electrical Data

EC Motor Data			Defrost Heaters Data			Airthrow
208-230V / 60Hz / 1Φ			Watts	208-230V / 60Hz / 1 Φ	208-230V / 60Hz / 3 Φ	
HP	Total Amps	Watts		Total Amps	Total Amps	
1/15	0.34	78	1,088	4.73	2.73	Ft 25

