



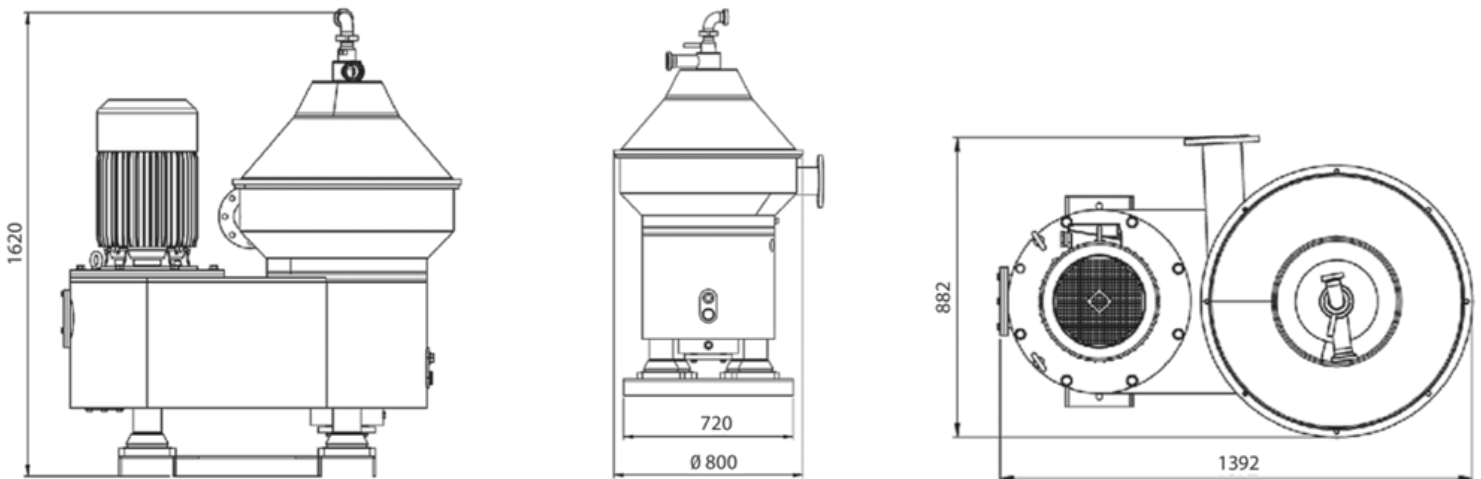
G Tech



Separator Quantum 20

Specifications

Design:	Self cleaning 2 or 3 phase
Capacity:	Up to 5m ³ /hour
Max Bowl speed:	6800rpm
G-Force:	13955g
Power:	Motor -18.5kW
Materials/Finish:	Bowl: Duplex Stainless Steel/Other wetted parts: 316 Stainless Steel
Features:	Small, compact design



Contact Us

USA

2511 N Frazier Street
Conroe
Texas 77303
Tel: +1281 290 9229
Email: sales@gtechus.com
Website: www.gtechus.com
ISO9001 registered

New Zealand

P.O. Box 29 · Kaiapoi 7644
21 Empire Rd. · Kainga
Christchurch 8083 New Zealand
Tel: +64 3 323 6151
Email: sales@gtechnz.com
Website: www.gtechnz.com
ISO9001 registered

Australia

14A Nicholas Drive,
Dandenong 3175
Victoria, Australia
Tel: +61 3 9768 3866
Email: sales@gtechau.com
Website: www.gtech-australia.com



ISO 9001