

The logo for ONYX Optics, Inc. features the word "ONYX" in a bold, sans-serif font, followed by "Optics, Inc." in a serif font. The text is centered within a circular graphic composed of two concentric, slightly offset arcs. The background of the entire page is a dark purple color with a complex network of white lines and dots, resembling a molecular or optical structure.

ONYXOptics, Inc.

2022 CATALOG

**THE WORLD LEADER IN THE MANUFACTURE
OF FINISHED COMPOSITE CRYSTAL AND GLASS
COMPONENTS FOR SOLID-STATE LASERS**



Phone: (925) 833-1969

Fax: (925) 833-1759

Email: sales@onyxoptics.com

[Visit Our Website](#)

[REQUEST A QUOTE HERE](#)

NAVIGATE TO:

[YAG](#)

[YVO4](#)

[YLF](#)

[YALO](#)

[MISC.](#)

YAG | Rods

Part #040128

AFB® 1.1% Nd:YAG Laser Rod | 34 mm dia. x 20 mm L

SPECIFICATIONS Consisting of 1.1% Nd:YAG, 4 mm dia. x 10 mm L, with undoped YAG of 4 mm dia x 5 mm L bonded to both ends.

Dopant Type, Concentration 1.1% Nd:YAG

Cross-Section (mm) 4 mm dia.

Length (mm) 20 mm L

Doped Length (mm) 10 mm L

Undoped Length 5 mm L (x2)

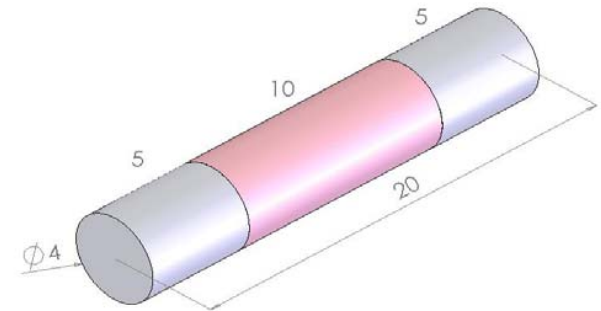
End-Face Configuration Flat/Flat

Side Specifications Fine Ground

Quantity Nine

Status In-Stock

COATING None



Part #040136

AFB® 1.0% Nd:YAG Laser Rod | 5 mm dia. x 22 mm L

SPECIFICATIONS Consisting of 1.0% Nd:YAG, 5 mm dia. x 12 mm L, with undoped YAG of 5 mm dia. x 5 mm L bonded to both ends.

Dopant Type, Concentration 1.0% Nd:YAG

Cross-Section (mm) 5 mm dia.

Length (mm) 22 mm L

Doped Length (mm) 12 mm L

Undoped Length 5 mm L (x2)

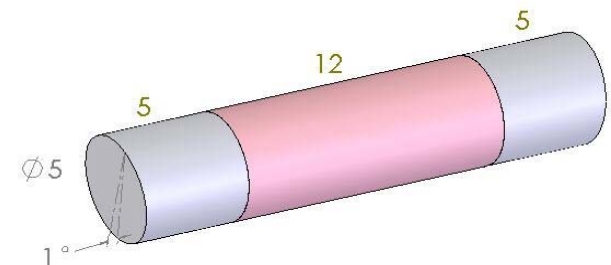
End-Face Configuration 1 deg. Wedge

Side Specifications Fine Ground

Quantity Two

Status In-Stock

COATING None





Phone: (925) 833-1969

Fax: (925) 833-1759

Email: sales@onyxoptics.com

[Visit Our Website](#)

[REQUEST A QUOTE HERE](#)

NAVIGATE TO:

[YAG](#)

[YVO4](#)

[YLF](#)

[YALO](#)

[MISC.](#)

YAG | Rods

Part #040138

AFB® 0.6% Nd:YAG Laser Rod | 6.35 mm dia. x 156 mm L

SPECIFICATIONS Consisting of 0.6% Nd:YAG, 6.35 mm dia. x 116 mm L, with undoped YAG of 6.35 mm dia. x 20 mm L bonded to both ends.

Dopant Type, Concentration 0.6% Nd:YAG

Cross-Section (mm) 6.35 mm dia.

Length (mm) 156 mm L

Doped Length (mm) 116 mm L

Undoped Length 20 mm L (x2)

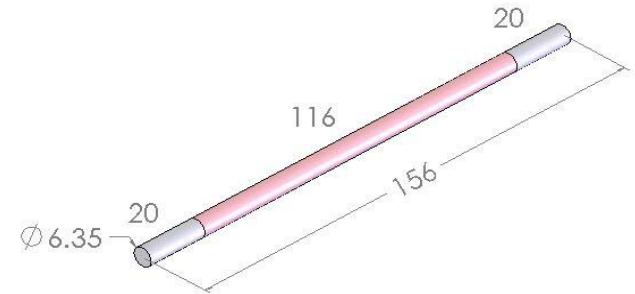
End-Face Configuration Flat/Flat

Side Specifications Fine Ground

Quantity One

Status In-Stock

COATING None



Part #040140

AFB® 0.5% Yb:YAG Laser Rod | 1.5 mm dia. x 65 mm L

SPECIFICATIONS Consisting of 0.5% Yb:YAG, 1.5 mm dia. X 20 mm L, with undoped YAG of 1.5 mm dia. X 22.5 mm L bonded to both ends.

Cross-Section (mm) 1.5 mm dia.

Length (mm) 65 mm L

Doped Length (mm) 20 mm L

Undoped Length 22.5 mm L (x2)

End-Face Configuration Flat/Flat

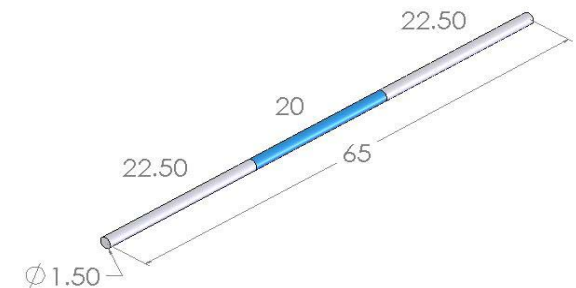
Side Specifications Fine Ground

Quantity One

Status In-Stock

COATING

AR/AR @ 1030nm





Phone: (925) 833-1969

Fax: (925) 833-1759

Email: sales@onyxoptics.com

[Visit Our Website](#)

[REQUEST A QUOTE HERE](#)

NAVIGATE TO:

[YAG](#)

[YVO4](#)

[YLF](#)

[YALO](#)

[MISC.](#)

YAG | Rods

Part #040141

AFB® 1.1% Nd:YAG Laser Rod | 3 mm dia. x 8 mm L

SPECIFICATIONS Consisting of 1.1% Nd:YAG, 3 mm dia. x 6 mm L, with undoped YAG of 3 mm dia. x 2 mm L bonded to one end.

Dopant Type, Concentration 1.1% Nd:YAG

Cross-Section (mm) 3 mm dia.

Length (mm) 8 mm L

Doped Length (mm) 6 mm L

Undoped Length 2 mm L

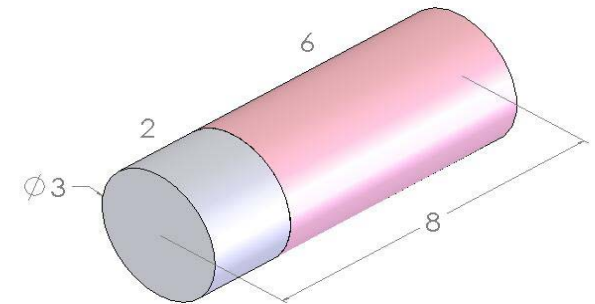
End-Face Configuration Flat/Flat

Side Specifications Fine Ground

Quantity Specify

Status In-Stock

COATING None



Part #040143

AFB® 1.0% Nd:YAG Laser Rod | 2 mm dia. x 8.5 mm L

SPECIFICATIONS Consisting of 1.0% Nd:YAG, 2 mm dia. x 3 mm L, with undoped YAG of 2 mm dia. x 2.75 mm L bonded to both ends.

Dopant Type, Concentration 1.1% Nd:YAG

Cross-Section (mm) 2 mm dia.

Length (mm) 8.5 mm L

Doped Length (mm) 3 mm L

Sapphire Length 2.75 mm L (x2)

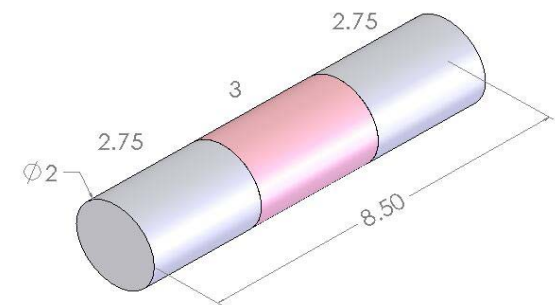
End-Face Configuration Flat/Flat

Side Specifications Fine Ground

Quantity Specify

Status In-Stock

COATING None





Phone: (925) 833-1969

Fax: (925) 833-1759

Email: sales@onyxoptics.com

[Visit Our Website](#)

[REQUEST A QUOTE HERE](#)

NAVIGATE TO:

[YAG](#)

[YVO4](#)

[YLF](#)

[YALO](#)

[MISC.](#)

YAG | Rods

Part #040145

AFB® 1.1% Nd:YAG Laser Rod | 2.5 mm dia. x 11 mm L

SPECIFICATIONS Consisting of 1.1% Nd:YAG, 2.5 mm dia. x 8 mm L, with undoped YAG of 2.5 mm dia. x 3 mm L bonded to one end.

Dopant Type, Concentration 1.1% Nd:YAG

Cross-Section (mm) 2.5 mm dia.

Length (mm) 11.0 mm L

Doped Length (mm) 8 mm L

Undoped Length 3 mm L

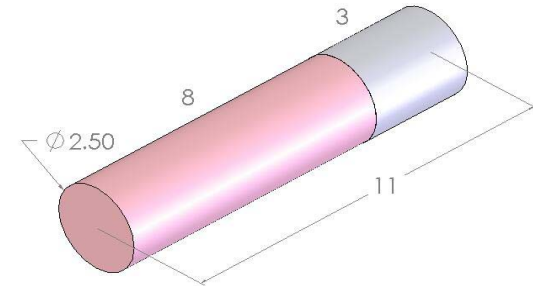
End-Face Configuration Flat/Flat

Side Specifications Fine Ground

Quantity Two

Status In-Stock

COATING None



Part #040150

AFB® 1.1% Nd:YAG Rod | 2.7 mm dia. x 55.0 mm L

SPECIFICATIONS Consisting of 1.1% Nd:YAG, 2.7 mm dia. x 36.0 mm L, with undoped YAG of 2.7 mm dia. x 9.5 mm L bonded to both ends.

Dopant Type, Concentration 1.1% Nd:YAG

Diameter (mm) 2.7 mm dia.

Length (mm) 55.0 mm L

Doped Length (mm) 36.0 mm L

Undoped Length 9.5 mm L (x 2)

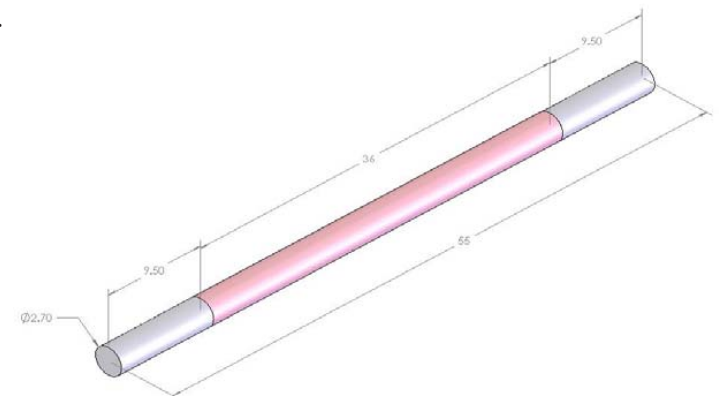
End-Face Configuration Polished to <60 sec.

Side Specifications Inspection polished

Quantity One

Status In-Stock

COATING None





Phone: (925) 833-1969

Fax: (925) 833-1759

Email: sales@onyxoptics.com

[Visit Our Website](#)

[REQUEST A QUOTE HERE](#)

NAVIGATE TO:

[YAG](#)

[YVO4](#)

[YLF](#)

[YALO](#)

[MISC.](#)

YAG | Rods

Part #040153

AFB® 0.8% Nd:YAG Laser Rod | 3.0 mm dia. x 63 mm L

SPECIFICATIONS Consisting of 0.8% Nd:YAG, 3.0 mm dia. x 49 mm L, with undoped YAG of 3.0 mm dia. x 7mm L bonded to both ends.

Dopant Type, Concentration 0.8% Nd:YAG

Cross-Section (mm) 3.0 mm dia.

Length (mm) 63.0 mm L

Doped Length (mm) 49.0 mm L

Undoped Length 7.0 mm L (x2)

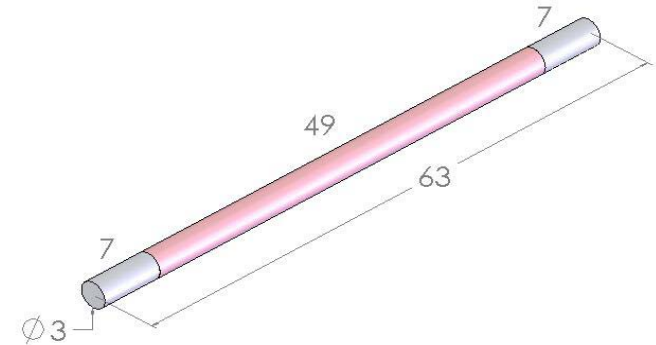
End-Face Configuration Flat/Flat

Side Specifications Fine Ground

Quantity One

Status In-Stock

COATING None



Part #040156

AFB® 0.6% Nd:YAG Laser Rod | 2.0 mm dia. x 10 mm L

SPECIFICATIONS Consisting of 0.6% Nd:YAG, 2.0 mm dia. x 5.0 mm L, with undoped YAG of 2.0 mm dia. x 2.5 mm L bonded to both ends.

Dopant Type, Concentration 0.6% Nd:YAG

Cross-Section (mm) 2.0 mm dia.

Length (mm) 10.0 mm L

Doped Length (mm) 5.0 mm L

Undoped Length 2.5 mm L (x2)

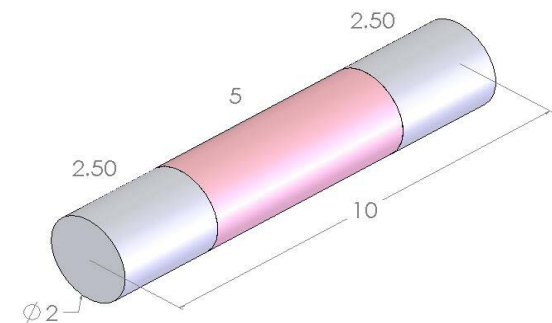
End-Face Configuration Flat/Flat

Side Specifications Inspection Polished

Quantity Four

Status In-Stock

COATING None





Phone: (925) 833-1969

Fax: (925) 833-1759

Email: sales@onyxoptics.com

[Visit Our Website](#)

[REQUEST A QUOTE HERE](#)

NAVIGATE TO:

[YAG](#)

[YVO4](#)

[YLF](#)

[YALO](#)

[MISC.](#)

YAG | Rods

Part #040163

AFB® 1.1% Nd:YAG/Sapphire Rod | 3.0 mm dia. x 10 mm L

SPECIFICATIONS Consisting of 1.1% Nd:YAG, 3.0 mm dia. x 2.0 mm L, with sapphire of 3.0 mm dia. x 8.0 mm L bonded to one side.

Dopant Type, Concentration 1.1% Nd:YAG

Cross-Section (mm) 3.0mm dia

Length (mm) 10 mm

Doped Length (mm) 2 mm

Undoped Length 8 mm

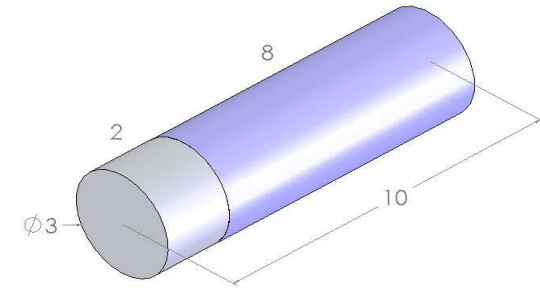
End-Face Configuration Flat/Flat

Side Specifications Fine ground

Quantity One

Status In-Stock

COATING None



Part #040165

AFB® 0.1% Nd:YAG Laser Rod | 4.0 mm dia. x 54 mm L

SPECIFICATIONS Consisting of 0.1% Nd:YAG, 4.0 mm dia. x 40 mm L, with undoped YAG of 4.0 mm dia. x 7.0 mm L bonded to both ends.

Dopant Type, Concentration 0.1% Nd:YAG

Cross-Section (mm) 4.0 mm dia.

Length (mm) 54.0 mm L

Doped Length (mm) 40.0 mm L

Undoped Length 7.0 mm L (x2)

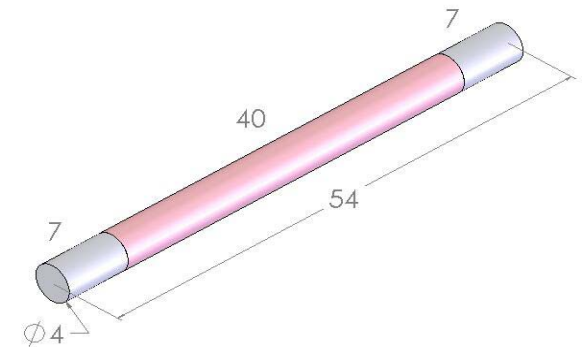
End-Face Configuration Flat/Flat

Side Specifications Inspection Polished

Quantity Two

Status In-Stock

COATING None





Phone: (925) 833-1969

Fax: (925) 833-1759

Email: sales@onyxoptics.com

[Visit Our Website](#)

[REQUEST A QUOTE HERE](#)

NAVIGATE TO:

[YAG](#)

[YVO4](#)

[YLF](#)

[YALO](#)

[MISC.](#)

YAG | Rods

Part #040172

AFB® 1.1% Nd:YAG Laser Rod | 3.0 mm dia. x 3 mm L

SPECIFICATIONS Consisting of 1.1% Nd:YAG, 3.0 mm dia. x 1 mm L, with undoped YAG of 3.0 mm dia. x 1 mm L bonded to both ends.

Dopant Type, Concentration 1.1% Nd:YAG

Cross-Section (mm) 3.0 mm dia.

Length (mm) 3.0 mm L

Doped Length (mm) 1.0 mm L

Undoped Length 1.0 mm L

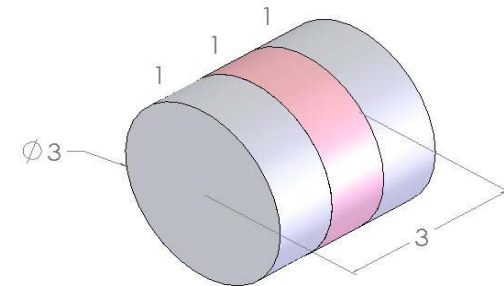
End-Face Configuration Flat/Flat

Side Specifications Fine Ground

Quantity One

Status In-Stock

COATING None



Part #040184

AFB® 0.1% Nd:YAG Laser Rod | 3 mm dia. x 54mm L

SPECIFICATIONS Consisting of 0.1% Nd:YAG, 3 mm dia. x 40 mm L, with undoped YAG of 3 mm dia. x 7 mm L bonded to both ends.

Dopant Type, Concentration 0.1% Nd:YAG

Cross-Section (mm) 3 mm dia.

Length (mm) 54 mm L

Doped Length (mm) 40 mm L

Undoped Length 7 mm L (x2)

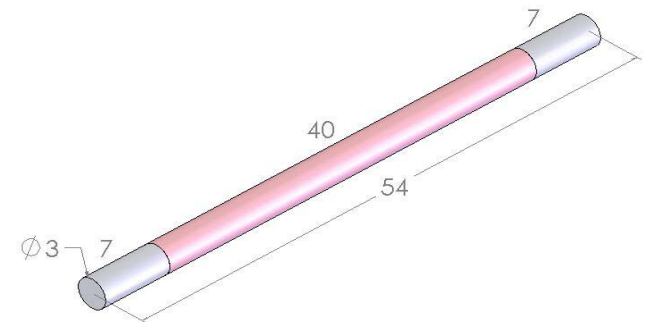
End-Face Configuration Flat/Flat

Side Specifications Inspection Polished

Quantity One

Status In-Stock

COATING None





Phone: (925) 833-1969

Fax: (925) 833-1759

Email: sales@onyxoptics.com

[Visit Our Website](#)

[REQUEST A QUOTE HERE](#)

NAVIGATE TO:

[YAG](#)

[YVO4](#)

[YLF](#)

[YALO](#)

[MISC.](#)

YAG | Rods

Part #040185

AFB® 1.0% Nd:YAG Laser Rod | 2 mm dia. x 8.5 mm L

SPECIFICATIONS Consisting of 1.0% Nd:YAG, 2 mm dia. x 3 mm L, with undoped YAG of 2 mm dia. x 3 mm L bonded to both ends.

Dopant Type, Concentration 1.0% Nd:YAG

Cross-Section (mm) 2 mm dia.

Length (mm) 8.5 mm L

Doped Length (mm) 3 mm L

Undoped Length 2.75 mm L (x2)

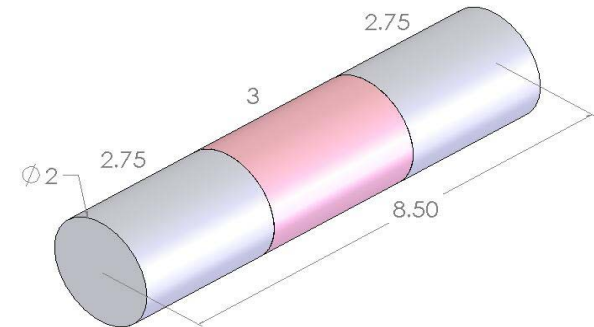
End-Face Configuration Flat/Flat

Side Specifications Fine Ground

Quantity Two

Status In-Stock

COATING None



Part #040186

AFB® 3.0% Tm:YAG Laser Rod | 2.5 mm dia. x 27.8 mm L

SPECIFICATIONS Consisting of 3.0% Tm:YAG, 2.5 mm dia. x 17.8 mm L, with undoped YAG of 2.5 mm dia. x 5 mm L bonded to both ends.

Dopant Type, Concentration 3.0% Tm:YAG

Cross-Section (mm) 2.5 mm dia.

Length (mm) 27.8 mm L

Doped Length (mm) 17.8 mm L

Undoped Length 5 mm L (x2)

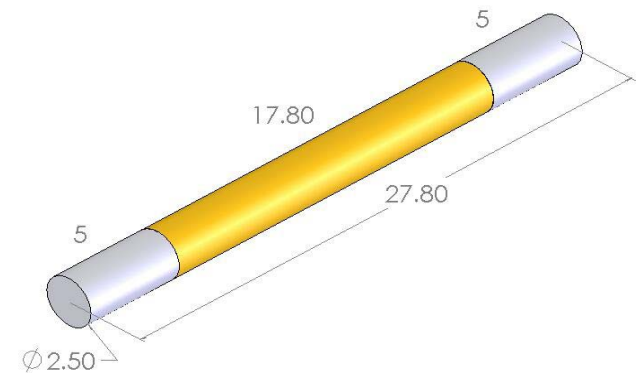
End-Face Configuration Flat/Flat

Side Specifications Inspection Polished

Quantity One

Status In-Stock

COATING None





Phone: (925) 833-1969

Fax: (925) 833-1759

Email: sales@onyxoptics.com

[Visit Our Website](#)

[REQUEST A QUOTE HERE](#)

NAVIGATE TO:

[YAG](#)

[YVO4](#)

[YLF](#)

[YALO](#)

[MISC.](#)

YAG | Rods

Part #040190

AFB® 0.4% Nd:YAG Laser Rod | 2 mm dia. x 32 mm L

SPECIFICATIONS Consisting of 0.4% Nd:YAG, 2 mm dia. x 22 mm L, with undoped YAG of 2 mm dia x 5 mm L bonded to both ends.

Dopant Type, Concentration 0.4% Nd:YAG

Cross-Section (mm) 2 mm dia.

Length (mm) 32 mm L

Doped Length (mm) 22 mm L

Undoped Length 5 mm L (x2)

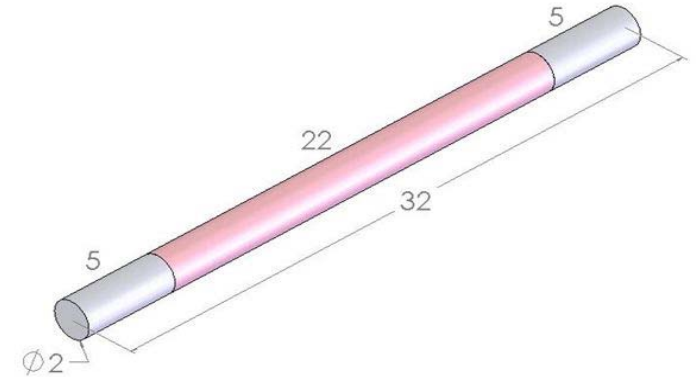
End-Face Configuration Flat/Flat

Side Specifications Fine Ground

Quantity One

Status In-Stock

COATING None



Part #040191

AFB® 0.9% Nd:YAG Laser Rod | 9 mm dia. x 12 mm L

SPECIFICATIONS Consisting of 0.9% Nd:YAG, 9 mm dia. x 9 mm L, with undoped YAG of 9 mm dia. x 3 mm L bonded to one end.

Dopant Type, Concentration 0.9% Nd:YAG

Cross-Section (mm) 9 mm dia.

Length (mm) 12 mm L

Doped Length (mm) 9 mm L

Undoped Length 12 mm L (x1)

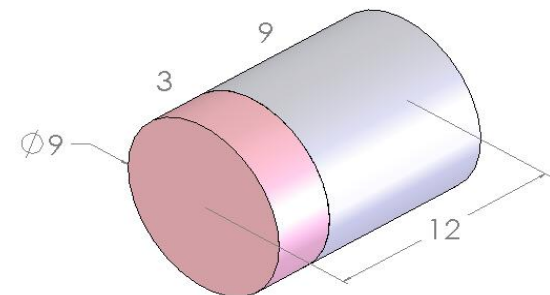
End-Face Configuration Flat/Flat

Side Specifications Fine Ground

Quantity One

Status In-Stock

COATING None





Phone: (925) 833-1969

Fax: (925) 833-1759

Email: sales@onyxoptics.com

[Visit Our Website](#)

[REQUEST A QUOTE HERE](#)

NAVIGATE TO:

[YAG](#)

[YVO4](#)

[YLF](#)

[YALO](#)

[MISC.](#)

YAG | Rods

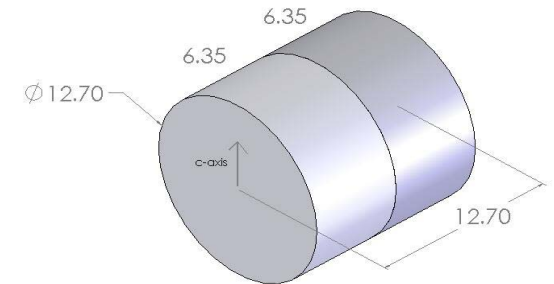
Part #040195

AFB® Undoped YAG/Sapphire Laser Rod | 12.7 mm dia. x 12.7 mm L

SPECIFICATIONS Consisting of undoped YAG, 12.7 mm dia. x 6.35 mm L, with sapphire of 12.7 mm dia x 6.35 mm L bonded to both ends.

Cross-Section (mm) 12.7 mm dia.
Length (mm) 12.7 mm L
Sapphire Length (mm) 6.35 mm L
Undoped Length 6.35 mm L
End-Face Configuration Flat/Flat
Side Specifications Fine Ground
Quantity One
Status In-Stock

COATING None



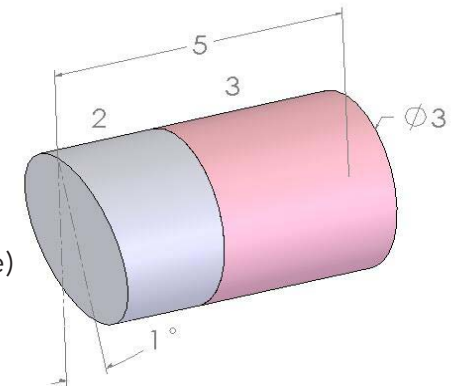
Part #040196

AFB® 25% Yb:YAG Laser Rod | 3 mm dia. x 5 mm L

SPECIFICATIONS Consisting of 25% Yb:YAG, 3 mm dia. x 3 mm L, with undoped YAG of 3 mm dia. x 2 mm L bonded to one end.

Dopant Type, Concentration 25% Yb:YAG
Cross-Section (mm) 3 mm dia.
Length (mm) 5 mm L
Doped Length (mm) 3 mm L
Undoped Length 2 mm L
End-Face Configuration Flat/Flat (one end has one degree wedge)
Side Specifications Inspection Polished
Quantity One
Status In-Stock

COATING AR/AR @ 960-1100nm





Phone: (925) 833-1969

Fax: (925) 833-1759

Email: sales@onyxoptics.com

[Visit Our Website](#)

[REQUEST A QUOTE HERE](#)

NAVIGATE TO:

[YAG](#)

[YVO4](#)

[YLF](#)

[YALO](#)

[MISC.](#)

YAG | Rods

Part #040199

AFB® 0.1% Nd:YAG Laser Rod | 3 mm dia. x 54mm L

SPECIFICATIONS Consisting of 0.1% Nd:YAG, 3 mm dia. x 40 mm L, with undoped YAG of 3 mm dia. x 7 mm L bonded to both ends.

Dopant Type, Concentration 0.1% Nd:YAG

Cross-Section (mm) 3 mm dia.

Length (mm) 54 mm L

Doped Length (mm) 40 mm L

Undoped Length 7 mm L (x2)

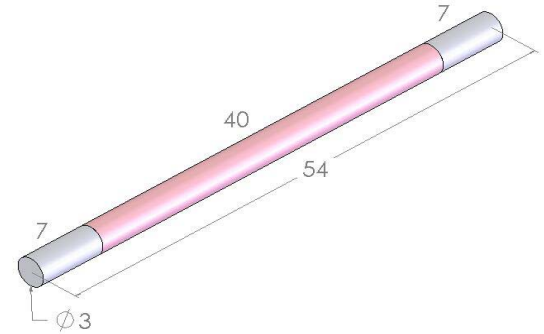
End-Face Configuration Flat/Flat

Side Specifications Inspection Polished

Quantity Four

Status In-Stock

COATING None



Part #040200

AFB® 0.1% Nd:YAG Laser Rod | 3 mm dia. x 54mm L

SPECIFICATIONS Consisting of 0.1% Nd:YAG, 3 mm dia. x 40 mm L, with undoped YAG of 3 mm dia. x 7 mm L bonded to both ends.

Dopant Type, Concentration 0.1% Nd:YAG

Cross-Section (mm) 3 mm dia.

Length (mm) 54 mm L

Doped Length (mm) 40 mm L

Undoped Length 7 mm L (x2)

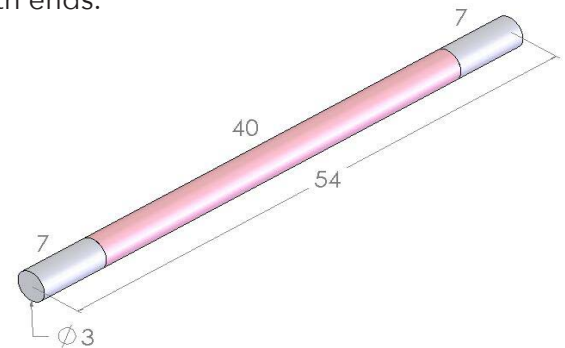
End-Face Configuration Flat/Flat

Side Specifications Fine Ground

Quantity Two

Status In-Stock

COATING None





Phone: (925) 833-1969

Fax: (925) 833-1759

Email: sales@onyxoptics.com

[Visit Our Website](#)

[REQUEST A QUOTE HERE](#)

NAVIGATE TO:

[YAG](#)

[YVO4](#)

[YLF](#)

[YALO](#)

[MISC.](#)

YAG | Rods

Part #040202

AFB® 3.0% Tm:YAG Laser Rod | 3.0 mm dia. x 85 mm L

SPECIFICATIONS Consisting of 3.0% Tm:YAG, 2.0 mm dia. x 65 mm L, with undoped YAG of 2.0 mm dia. x 10 mm L bonded to both ends.

Dopant Type, Concentration 3.0% Tm:YAG

Cross-Section (mm) 2.0 mm dia.

Length (mm) 85 mm L

Doped Length (mm) 65 mm L

Undoped Length 10 mm L (x2)

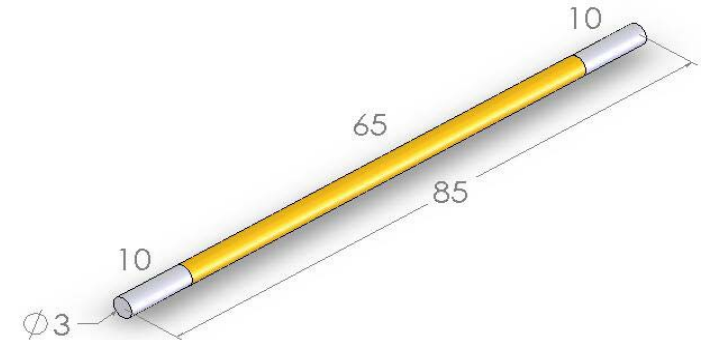
End-Face Configuration Flat/Flat

Side Specifications Fine Ground

Quantity One

Status In-Stock

COATING None



Part #040220

AFB® 50% Er:YAG Laser Rod | 3.0mm dia. x 42.0mm L

SPECIFICATIONS Consisting of 50% Er:YAG, 3.0 mm dia. x 22.0 mm L, with undoped YAG of 3.0mm dia. x 10.0mm L bonded to both ends.

Dopant Type, Concentration 50% Er:YAG

Cross-Section (mm) 3.0 mm

Length (mm) 42.0 mm L

Doped Length (mm) 22.0 mm L

Undoped Length 10.0 mm L (x2)

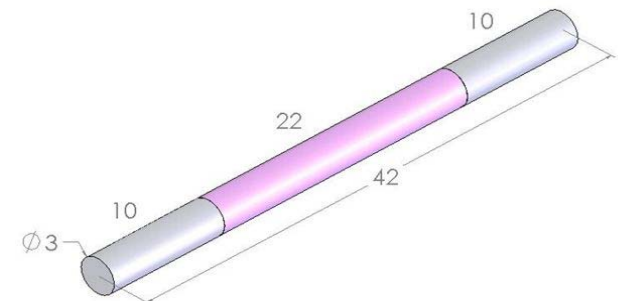
End-Face Configuration Flat/Flat

Side Specifications Fine Ground

Quantity One

Status In-Stock

COATING None





Phone: (925) 833-1969

Fax: (925) 833-1759

Email: sales@onyxoptics.com

[Visit Our Website](#)

[REQUEST A QUOTE HERE](#)

NAVIGATE TO:

[YAG](#)

[YVO4](#)

[YLF](#)

[YALO](#)

[MISC.](#)

YAG | Rods

Part #040223

AFB® 1.4%Nd:YAG / Cr4+:YAG Laser Rod | 4 mm dia. x 8.8 mm L

SPECIFICATIONS Consisting of 1.4% Nd:YAG, 4 mm dia. x 5mm L, with Cr4+:YAG (alpha ~3.5cm⁻¹, Tzero = 25%) of 4 mm dia. X 3.8 mm L bonded to one end.

Dopant Type, Concentration 1.4% Nd:YAG, Cr4+:YAG (alpha ~3.5cm⁻¹, Tzero = 25%)

Cross-Section (mm) 4 mm dia.

Length (mm) 8.8 mm L

Nd:YAG Length (mm) 5.0 mm L

Cr4+:YAG Length 3.8 mm L

End-Face Configuration Flat/Flat

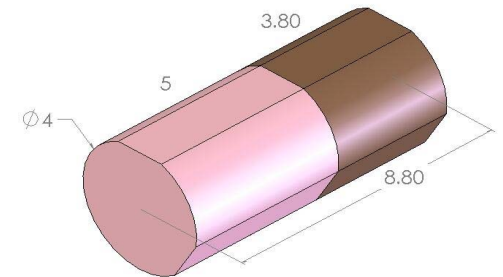
Side Specifications Fine Ground

Quantity One

Status In-Stock

Note Two flats to indicate [001] axes perpendicular to the [110] axis

COATING None



Part #040224

AFB® 1.1% Nd:YAG Laser Rod | 4 mm dia. x 20 mm L

SPECIFICATIONS Consisting of 1.1% Nd:YAG, 4 mm dia. x 10 mm L, with undoped YAG of 4 mm dia x 5 mm L bonded to both ends.

Dopant Type, Concentration 1.1% Nd:YAG

Cross-Section (mm) 4 mm dia.

Length (mm) 20 mm L

Doped Length (mm) 10 mm L

Undoped Length 5 mm L (x2)

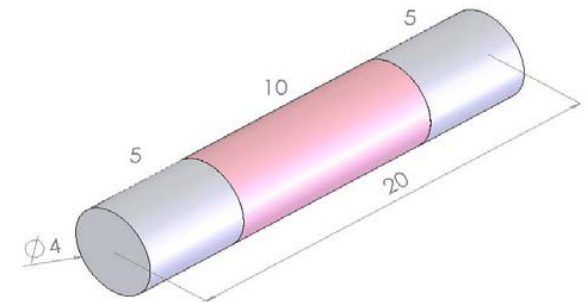
End-Face Configuration Flat/Flat

Side Specifications Fine Ground

Quantity Two

Status In-Stock

COATING Both ends T>99.9% @ 1319nm, AR @ 1064, 808nm





Phone: (925) 833-1969

Fax: (925) 833-1759

Email: sales@onyxoptics.com

[Visit Our Website](#)

[REQUEST A QUOTE HERE](#)

NAVIGATE TO:

[YAG](#)

[YVO4](#)

[YLF](#)

[YALO](#)

[MISC.](#)

YAG | Rods

Part #040225A

AFB® 1.0% Nd:YAG Laser Rod | 3 mm dia. x 25.1 mm L

SPECIFICATIONS Consisting of 1.0% Nd:YAG, 3 mm dia. x 17.5 mm L, with undoped YAG of 3 mm dia. x 7.6 mm L bonded to one end.

Dopant Type, Concentration 1.0% Nd:YAG

Cross-Section (mm) 3 mm dia.

Length (mm) 25.1 mm L

Doped Length (mm) 17.5 mm L

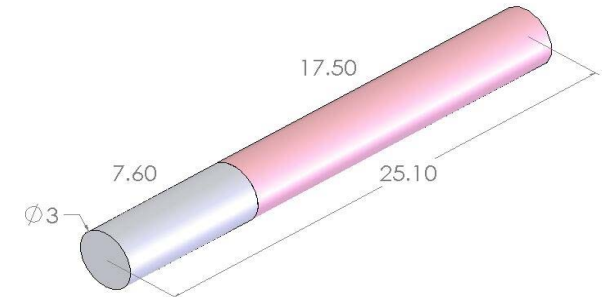
Undoped Length 7.6 mm L

End-Face Configuration Flat/Flat

Side Specifications Fine Ground

Quantity One

Status In-Stock



COATING Nd:YAG end: R<0.25% @ 1064nm, Undoped YAG end: R<0.25% @ 1064nm, T>98% @ 808nm

Part #040225B

AFB® 1.0% Nd:YAG Laser Rod | 3 mm dia. x 25 mm L

SPECIFICATIONS Consisting of 1.0% Nd:YAG, 3 mm dia. x 12.5 mm L, with undoped YAG of 3 mm dia. x 12.5 mm L bonded to one end.

Dopant Type, Concentration 1.0% Nd:YAG

Cross-Section (mm) 3 mm dia.

Length (mm) 25 mm L

Doped Length (mm) 12.5 mm L

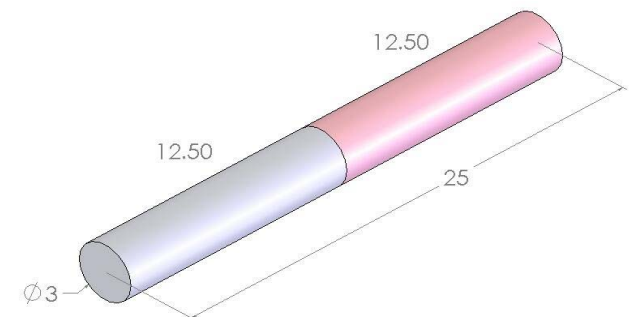
Undoped Length 12.5 mm L

End-Face Configuration Flat/Flat

Side Specifications Fine Ground

Quantity One

Status In-Stock



COATING Nd:YAG end: R<0.25% @ 1064nm, Undoped YAG end: R<0.25% @ 1064nm, T>98% @ 808nm



Phone: (925) 833-1969

Fax: (925) 833-1759

Email: sales@onyxoptics.com

[Visit Our Website](#)

[REQUEST A QUOTE HERE](#)

NAVIGATE TO:

[YAG](#)

[YVO4](#)

[YLF](#)

[YALO](#)

[MISC.](#)

YAG | Rods

Part #040227

AFB® 25% Yb:YAG Laser Rod | 3.0mm dia. x 6.0mm L

SPECIFICATIONS Consisting of 25% Yb:YAG, 3.0 mm dia. x 1.0 mm L, with undoped YAG of 3.0mm dia. x 2.5mm L bonded to both ends.

Dopant Type, Concentration 25% Yb:YAG

Cross-Section (mm) 3.0 mm

Length (mm) 6.0 mm L

Doped Length (mm) 1.0 mm L

Undoped Length 2.5 mm L (x2)

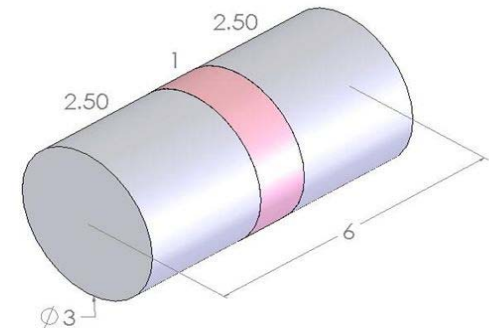
End-Face Configuration Flat/Flat

Side Specifications Fine Ground

Quantity Twenty

Status In-Stock

COATING None



Part #040228

AFB® 1.1-1.2% Nd:YAG Laser Rod | 3 mm dia. x 15 mm L

SPECIFICATIONS Consisting of 1.1-1.2% Nd:YAG, 3 mm dia. x 5 mm L, with undoped YAG of 3 mm dia x 5 mm L bonded to both ends.

Dopant Type, Concentration 1.1-1.2% Nd:YAG

Cross-Section (mm) 3 mm dia.

Length (mm) 15 mm L

Doped Length (mm) 5 mm L

Undoped Length 5 mm L (x2)

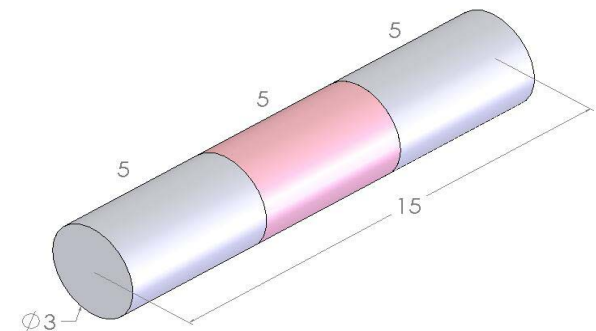
End-Face Configuration Flat/Flat

Side Specifications Fine Ground

Quantity Four

Status In-Stock

COATING None





Phone: (925) 833-1969

Fax: (925) 833-1759

Email: sales@onyxoptics.com

[Visit Our Website](#)

[REQUEST A QUOTE HERE](#)

NAVIGATE TO:

[YAG](#)

[YVO4](#)

[YLF](#)

[YALO](#)

[MISC.](#)

YAG | Rods

Part #040234

AFB® 0.67% Yb:YAG Laser Rod | 3 mm dia. x 65 mm L

SPECIFICATIONS Consisting of 0.67% Yb:YAG, 3 mm dia. x 35 mm L, with undoped YAG of 3 mm dia x 15 mm L bonded to both ends.

Dopant Type, Concentration 0.67% Yb:YAG

Cross-Section (mm) 3 mm dia.

Length (mm) 65 mm L

Doped Length (mm) 35 mm L

Undoped Length 15 mm L (x2)

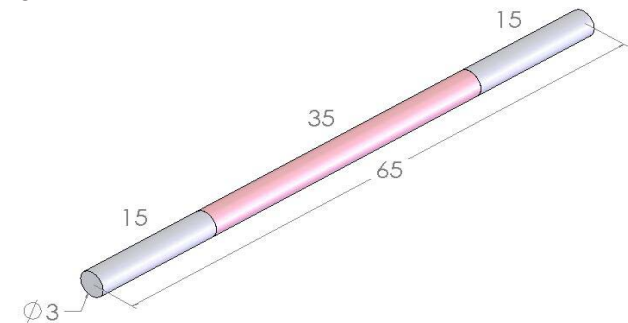
End-Face Configuration Flat/Flat

Side Specifications Fine Ground

Quantity Three

Status In-Stock

COATING None



Part #040238

AFB® 1.1% Nd:YAG Laser Rod | 5mm dia. x 35.0mm L

SPECIFICATIONS Consisting of 1.1% Nd:YAG, 5.0 mm dia. x 30.0 mm L, with undoped YAG of 5.0 mm dia. x 5.0 mm L bonded to one end.

Dopant Type, Concentration 1.1% Nd:YAG

Cross-Section (mm) 5.0 mm dia.

Length (mm) 35.0 mm L

Doped Length (mm) 30.0 mm L

Undoped Length 5.0 mm L

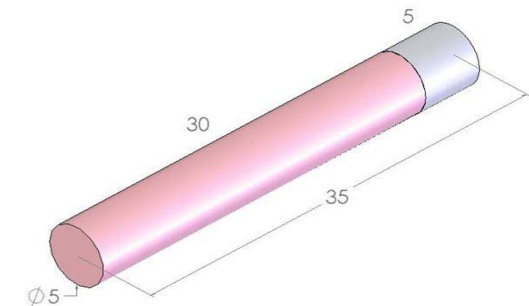
End-Face Configuration Flat/Flat

Side Specifications Fine ground

Quantity Two

Status In-Stock

COATING Undoped YAG: R>99.9% @ 1064nm, T_{av}>97% @ 790-820nm, AOI = 0-50° Nd:YAG: R<0.15% @ 1064nm, T_{av}<3.0% @ 790-820nm, AOI = 0-15°





Phone: (925) 833-1969

Fax: (925) 833-1759

Email: sales@onyxoptics.com

[Visit Our Website](#)

[REQUEST A QUOTE HERE](#)

NAVIGATE TO:

[YAG](#)

[YVO4](#)

[YLF](#)

[YALO](#)

[MISC.](#)

YAG | Rods

Part #040239

AFB® 1.1% Nd:YAG Laser Rod | 5mm dia. x 40.0mm L

SPECIFICATIONS Consisting of 1.1% Nd:YAG, 5.0 mm dia. x 30.0 mm L, with undoped YAG of 5.0 mm dia. x 5.0 mm L bonded to both ends.

Dopant Type, Concentration 1.1% Nd:YAG

Cross-Section (mm) 5.0 mm dia.

Length (mm) 35.0 mm L

Doped Length (mm) 30.0 mm L

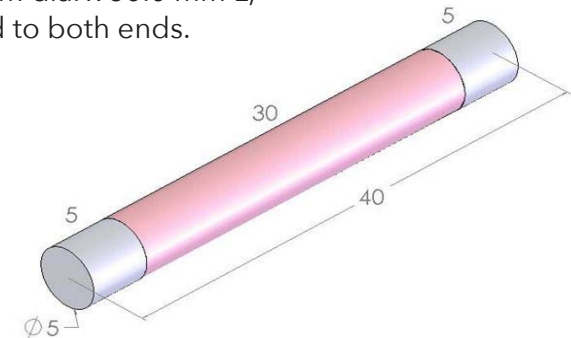
Undoped Length 5.0 mm L (x2)

End-Face Configuration Flat/Flat

Side Specifications Fine ground

Quantity Two

Status In-Stock



COATING Undoped YAG: R>99.9% @ 1064nm, Tav>97% @ 790-820nm, AOI = 0-50° Nd:YAG: R<0.15% @ 1064nm, Tav<3.0% @ 790-820nm, AOI = 0-15°

Part #040247

AFB® 3.0% Tm:YAG / Undoped YAG Laser Rod | 4.0mm dia. x 72mm L

SPECIFICATIONS Consisting of 3.0% Tm:YAG, 4.0mm dia. X 36mm L, with undoped YAG of 4.0mm dia. X 18mm L AFB'd to both ends; barrel has screw-thread design.

Dopant Type, Concentration 3.0% Tm:YAG

Cross-Section (mm) 4.0mm dia.

Length (mm) 72 mm L

Doped Length (mm) 36 mm

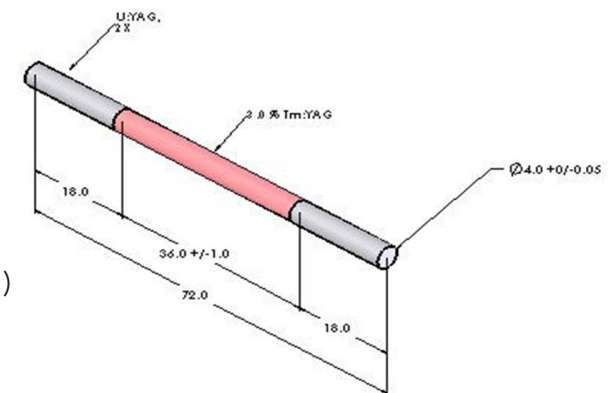
Undoped Length 18 mm L (x2)

End-Face Configuration Flat/Flat

Side Specifications Fine ground (screw-thread design)

Quantity Two

Status In-Stock



COATING Both ends HT>99.8% @ 2.04μ



Phone: (925) 833-1969

Fax: (925) 833-1759

Email: sales@onyxoptics.com

[Visit Our Website](#)

[REQUEST A QUOTE HERE](#)

NAVIGATE TO:

[YAG](#)

[YVO4](#)

[YLF](#)

[YALO](#)

[MISC.](#)

YAG | Rods

Part #040250

AFB® 6.0% Tm, 0.5% Ho:YAG/Undoped YAG Laser Rod | 3.0mm dia. x 10mm L

SPECIFICATIONS Consisting of 6.0% Tm, 0.5% Ho:YAG, 3.0mm dia. x 7.0mm L, with undoped YAG of 3.0mm dia. x 1.5mm L AFB'd to both ends.

Dopant Type, Concentration 6.0% Tm, 0.5% Ho:YAG

Cross-Section (mm) 3.0mm dia.

Length (mm) 10.0 mm L

Doped Length (mm) 7.0 mm

Undoped Length 1.5 mm L (x2)

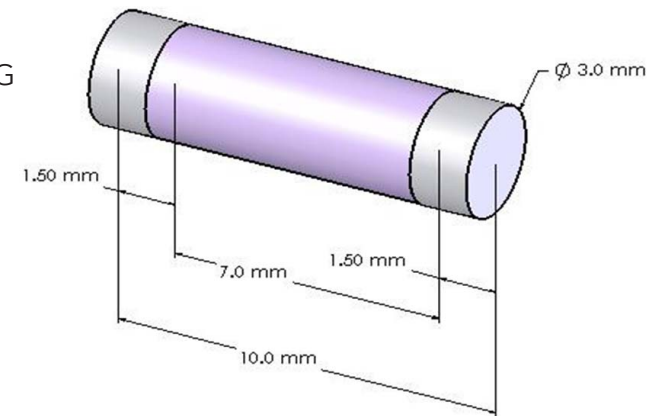
End-Face Configuration Flat/Flat

Side Specifications Inspection polished

Quantity One

Status In-Stock

COATING None



Part #040251

AFB® 1.1% Nd:YAG / Cr4+:YAG Laser Rod | 3.0mm dia. x 32mm L

SPECIFICATIONS Consisting of 1.1% Nd:YAG, 3.0mm dia. x 29.5mm L, with Cr4+:YAG of 3.0mm dia. x 2.5mm L AFB'd to one end.

Dopant Type, Concentration

1.1% Nd:YAG; Cr4+:YAG (T=20% @ 1064nm)

Cross-Section (mm) 3.0mm dia.

Length (mm) 32.0 mm L

Nd Length (mm) 29.5 mm

Cr Length 2.5 mm L

End-Face Configuration

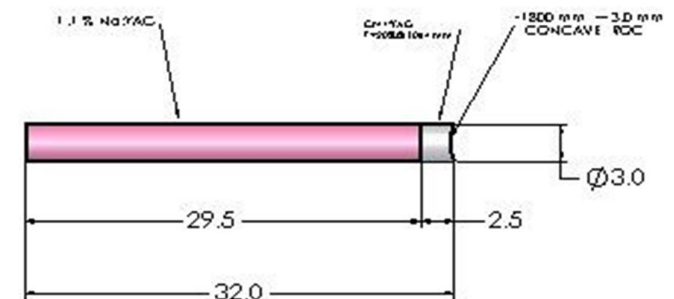
Nd end: flat; Cr end: 1800mm concave ROC

Side Specifications Fine ground

Quantity One

Status In-Stock

COATING None





Phone: (925) 833-1969

Fax: (925) 833-1759

Email: sales@onyxoptics.com

[Visit Our Website](#)

[REQUEST A QUOTE HERE](#)

NAVIGATE TO:

[YAG](#)

[YVO4](#)

[YLF](#)

[YALO](#)

[MISC.](#)

YAG | Rods

Part #040262

AFB® Undoped YAG / 0.6% Nd:YAG /
Undoped YAG Rod | 2.0mm dia. x 63.0mm

SPECIFICATIONS Consisting of 0.6% Nd:YAG, 2.0mm dia. x 52.0mm L, with undoped YAG of 4.0mm dia. x 5.5mm L bonded to both 2.0mm dia. surfaces.

Dopant Type, Concentration: 0.6% Nd:YAG

Cross-Section (mm): 2.0mm dia.

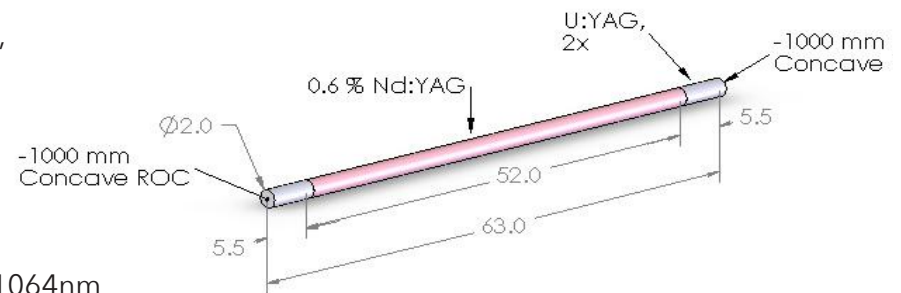
Length (mm): 63.0 mm L

End-Face Configuration: Polished,
1000mm concave radius

Side Specifications: Fine ground

Quantity: Two

Status: In-Stock



COATING

Both 2.0mm dia. ends R<0.1% @ 1064nm

Part #040263

AFB® Undoped YAG / Cr4+:YAG / 1.1% Nd:YAG /
Undoped YAG Rod | 3.0 mm dia. x 12.5 mm L

SPECIFICATIONS Consisting of 1.1% Nd:YAG, 3.0 mm dia. x 8.0 mm L, with Cr4+:YAG of 3.0mm dia. x 0.773mm L bonded to one 3.0mm dia. end; undoped YAG of 3.0mm dia. x 1.85mm L bonded to both 3.0mm dia. ends.

Dopant Type, Concentration: 1.1% Nd:YAG; Cr4+:YAG

Cross-Section (mm): 3.0 mm dia.

Length (mm): 12.5 mm L

Doped Length (mm): Nd: 8.0 mm L; Cr4+: 0.773mm L

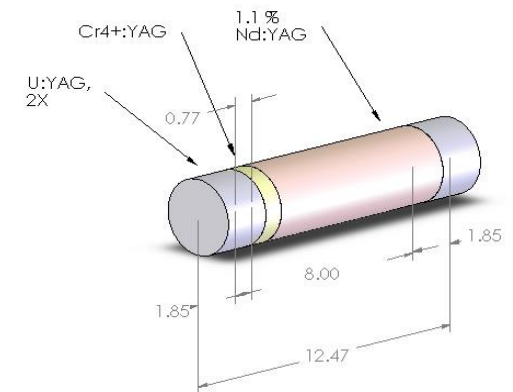
Undoped Length: 1.85 mm L (x2)

End-Face Configuration: Polished to <10 sec.

Side Specifications: Fine ground

Quantity: Two

Status: In-Stock



COATING None



Phone: (925) 833-1969

Fax: (925) 833-1759

Email: sales@onyxoptics.com

[Visit Our Website](#)

[REQUEST A QUOTE HERE](#)

NAVIGATE TO:

[YAG](#)

[YVO4](#)

[YLF](#)

[YALO](#)

[MISC.](#)

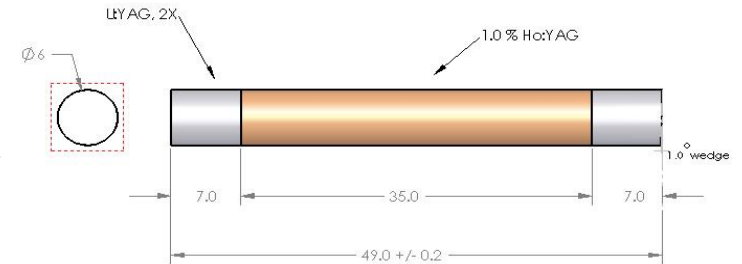
YAG | Rods

Part #040264

AFB® 1.0% Ho:YAG Laser Rod | 6.0 mm dia. x 49.0 mm L

SPECIFICATIONS Consisting of 1.0% Ho:YAG, 6.0 mm dia. x 35.0 mm L, with undoped YAG of 6.0 mm dia. x 7.0 mm L bonded to both ends.

Dopant Type, Concentration 1.0% Ho:YAG
Cross-Section (mm) 6.0 mm dia.
Length (mm) 49.0 mm L
Doped Length (mm) 35.0 mm L
Undoped Length 7.0 mm L (x2)
End-Face Configuration Polished lambda/10;
one end has 1° wedge
Side Specifications Fine Ground
Quantity One
Status In-Stock



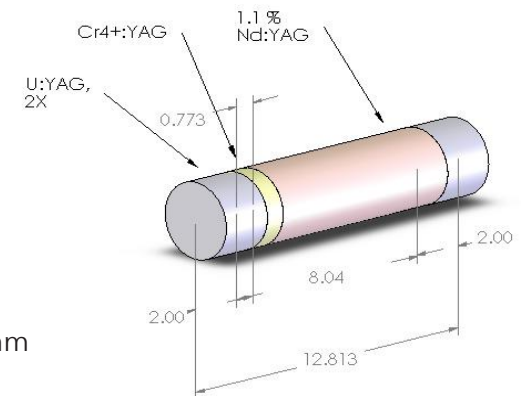
COATING Both 6.0mm dia. ends R<1.0% @ 1908nm and R<0.5% @ 2090nm

Part #040267

AFB® Undoped YAG / Nd:YAG / Cr4+:YAG Laser Rod | 3.0 mm dia. x 12.8 mm L

SPECIFICATIONS Consisting of 1.0% Nd:YAG, 3.0 mm dia. x 8.40 mm L, with Cr4+:YAG of 3.0mm dia. x 0.773mm bonded to one end; undoped YAG of 3.0mm dia. x 2.0mm L bonded to both ends.

Dopant Type, Concentration 1.0% Nd:YAG; Cr4+:YAG
Cross-Section (mm) 3.0 mm dia.
Length (mm) 12.8 mm L
Doped Length (mm) 8.04 mm L for Nd; 0.773 mm L for Cr4+
Undoped Length 2.0 mm L (x2)
End-Face Configuration Polished to <60 sec.
Side Specifications Fine Ground
Quantity Five
Status In-Stock



COATING

Undoped/Nd:YAG end: R>99.9% @ 1064nm, T>95% @ 808nm
Undoped/Cr4+:YAG end: R=50% +/-2% @ 1064nm



Phone: (925) 833-1969

Fax: (925) 833-1759

Email: sales@onyxoptics.com

[Visit Our Website](#)

[REQUEST A QUOTE HERE](#)

NAVIGATE TO:

[YAG](#)

[YVO4](#)

[YLF](#)

[YALO](#)

[MISC.](#)

YAG | Rods

Part #040269

AFB® 3.0% Tm:YAG Rod | 4.0 mm dia. x 70.0 mm L

SPECIFICATIONS Consisting of 3.0% Tm:YAG, 4.0 mm dia. x 22.0 mm L, with undoped YAG of 4.0 mm dia. x 24.0 mm L bonded to both ends.

Dopant Type, Concentration 3.0% Tm:YAG

Diameter (mm) 4.0 mm

Length (mm) 70.0 mm L

Doped Length (mm) 22.0 mm L

Undoped Length(s) 24.0 mm L (x 2)

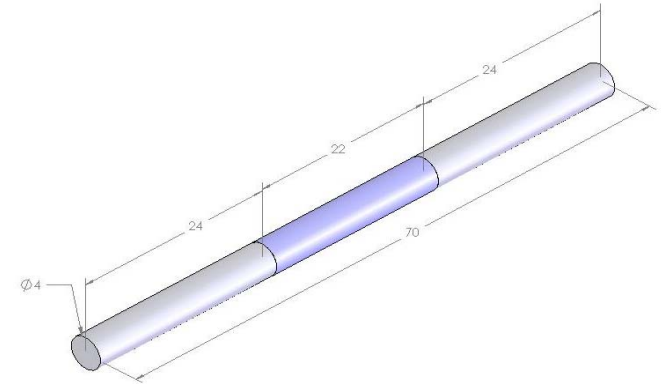
End-Face Configuration Polished to <60 sec.

Side Specifications Fine ground

Quantity One

Status In-Stock

COATING Both 4.0 mm dia. ends AR @ 2100nm



Part #040270

AFB® Undoped YAG / 3.0% Tm:YAG
/ Undoped YAG Rod | 3.0mm dia. x 75.0mm

SPECIFICATIONS Consisting of 6.0% Tm:YAG, 3.0mm dia. x 22mm L, with undoped YAG of 3.0mm dia. x 24.0mm L bonded to both 3mm dia. surfaces.

Dopant Type, Concentration 6.0% Tm:YAG

Cross-Section (mm) 3.0mm dia.

Length (mm) 70.0 mm L

End-Face Configuration Parallel to <60 sec.

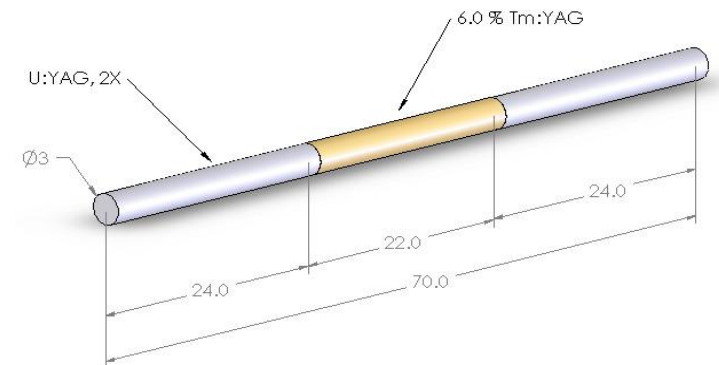
Side Specifications Fine ground

Quantity One

Status In-Stock

COATING

Both 3mm dia. ends AR coated @ 2100nm





Phone: (925) 833-1969

Fax: (925) 833-1759

Email: sales@onyxoptics.com

[Visit Our Website](#)

[REQUEST A QUOTE HERE](#)

NAVIGATE TO:

[YAG](#)

[YVO4](#)

[YLF](#)

[YALO](#)

[MISC.](#)

YAG | Rods

Part #040271

AFB® Undoped YAG / Cr4+:YAG / 1.1% Nd:YAG /
Undoped YAG Rod | 3.0 mm dia. x 12.5 mm L

SPECIFICATIONS Consisting of 3.0% Tm:YAG, 3.0mm dia. x 22.0mm L, with undoped YAG of 3.0mm dia. x 26.5mm L bonded to both 3.0mm dia. surfaces.

Dopant Type, Concentration 3.0% Tm:YAG

Cross-Section (mm) 3.0mm dia.

Length (mm) 75.0 mm L

End-Face Configuration

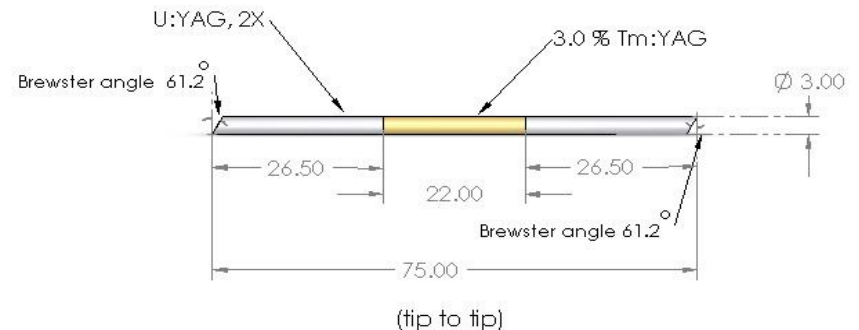
Polished with 61.2° parallel wedges

Side Specifications Fine ground

Quantity One

Status In-Stock

COATING None



Part #040272

AFB® Undoped YAG / Cr4+:YAG /
Nd:YAG / Undoped YAG Rod | 3.0mm dia. x 12.2mm L

SPECIFICATIONS Consisting of 3.0% Tm:YAG, 3.0mm dia. x 22.0mm L, with undoped YAG of 3.0mm dia. x 24.0mm L bonded to both 3.0mm dia. surfaces.

Dopant Type, Concentration 3.0% Tm:YAG

Cross-Section (mm) 3.0mm dia.

Length (mm) 70.0 mm L

End-Face Configuration Polished to <60 sec.

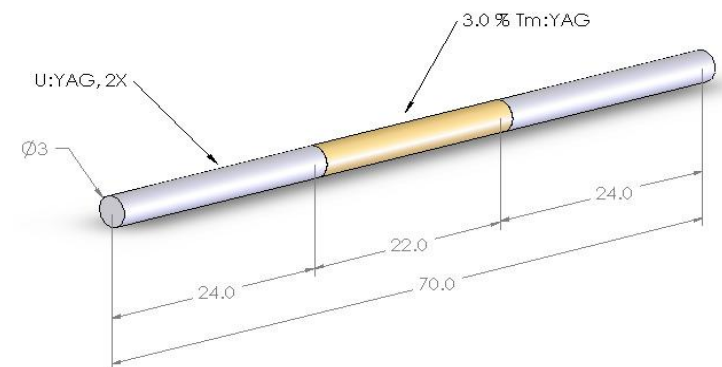
Side Specifications Fine ground

Quantity One

Status In-Stock

COATING

Both 3.0mm dia. ends AR @ 2100nm





Phone: (925) 833-1969

Fax: (925) 833-1759

Email: sales@onyxoptics.com

[Visit Our Website](#)

[REQUEST A QUOTE HERE](#)

NAVIGATE TO:

[YAG](#)

[YVO4](#)

[YLF](#)

[YALO](#)

[MISC.](#)

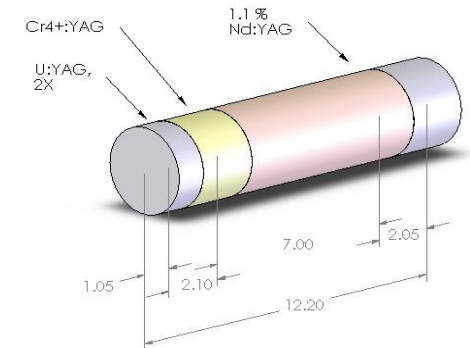
YAG | Rods

Part #040274

AFB® Undoped YAG / Cr4+:YAG / 1.1% Nd:YAG /
Undoped YAG Rod | 3.0 mm dia. x 12.5 mm L

SPECIFICATIONS Consisting of 1.1% Nd:YAG, 3.0mm dia. x 7.0mm L, with Cr4+:YAG of 3.0mm dia. x 2.1mm L AFB'd to one end; undoped YAG of 2.05mm and 1.05mm L AFB'd to both ends.

Dopant Type, Concentration 1.1% Nd:YAG; Cr4+:YAG
Cross-Section (mm) 3.0mm dia.
Length (mm) 12.2 mm L
Nd & Cr4+ Length (mm) 7.0 mm; 2.1mm
Undoped Length 2.05 mm L; 1.05mm L
End-Face Configuration Parallel to <60 sec.
Side Specifications Fine ground
Quantity Two
Status In-Stock



COATING

Undoped / Cr4+:YAG end: R = 21% ± 2% @ 1064nm, AOI = 0°

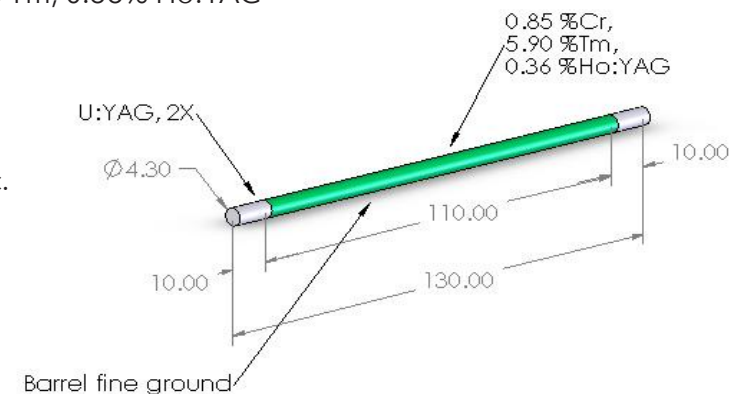
Undoped / Nd:YAG end: R = >99% @ 1064nm, 0° AOI, T >95% @ 808nm, 0° AOI

Part #040275

AFB® Undoped YAG / CTH:YAG / Undoped YAG Rod | 4.3 mm dia. x 130.0 mm L

SPECIFICATIONS Consisting of 0.85% Cr, 5.9% Tm, 0.36% Ho:YAG, 4.3 mm dia. x 110.0 mm L, with undoped YAG of 4.3mm dia. x 10.0mm L bonded to both ends.

Dopant Type, Concentration 0.85% Cr, 5.9% Tm, 0.36% Ho:YAG
Cross-Section (mm) 4.3 mm dia.
Length (mm) 130.0 mm L
Doped Length (mm) 110.0 mm L
Undoped Length 10.0 mm L (x2)
End-Face Configuration Polished to <60 sec.
Side Specifications Fine ground
Quantity One
Status In-Stock





Phone: (925) 833-1969

Fax: (925) 833-1759

Email: sales@onyxoptics.com

[Visit Our Website](#)

[REQUEST A QUOTE HERE](#)

NAVIGATE TO:

[YAG](#)

[YVO4](#)

[YLF](#)

[YALO](#)

[MISC.](#)

YAG | Rods

Part #040276

AFB® Undoped YAG / CTH:YAG / Undoped YAG Rod | 4.5 mm dia. x 130.0 mm L

SPECIFICATION Consisting of 0.85% Cr, 5.9% Tm, 0.36% Ho:YAG, 4.5 mm dia. x 109.6 mm L, with undoped YAG of 4.5mm dia. x 10.2mm L bonded to both ends.

Dopant Type, Concentration 0.85% Cr, 5.9% Tm, 0.36% Ho:YAG

Cross-Section (mm) 4.5 mm dia.

Length (mm) 130.0 mm L

Doped Length (mm) 109.6 mm L

Undoped Length 10.2 mm L (x2)

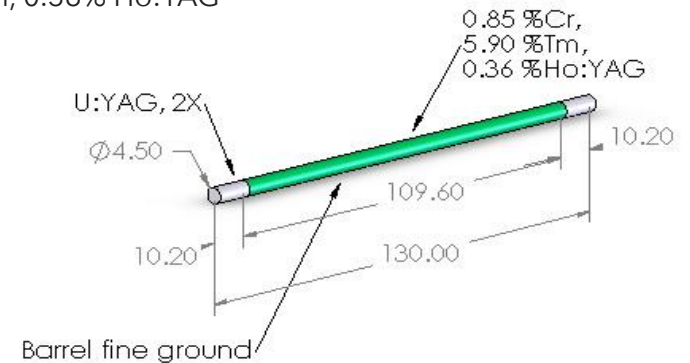
End-Face Configuration Polished to <60 sec.

Side Specifications Fine ground

Quantity One

Status In-Stock

COATING None



Part #040278

AFB® 0.4% Nd:YAG Laser Rod | 2.0 mm dia. x 32.0 mm L

SPECIFICATIONS Consisting of 0.4% Nd:YAG, 2.0 mm dia. x 22.0 mm L, with undoped YAG of 2.0 mm dia. x 5.0 mm L bonded to both ends.

Dopant Type, Concentration 0.4% Nd:YAG

Cross-Section (mm) 2.0 mm dia.

Length (mm) 32.0 mm L

Doped Length (mm) 22.0 mm L

Undoped Length 5.0 mm L (x2)

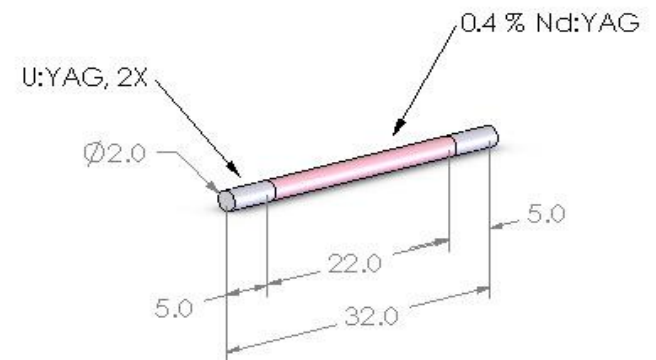
End-Face Configuration Polished to <10 sec.

Side Specifications Fine Ground

Quantity Two

Status In-Stock

COATING None





Phone: (925) 833-1969

Fax: (925) 833-1759

Email: sales@onyxoptics.com

[Visit Our Website](#)

[REQUEST A QUOTE HERE](#)

NAVIGATE TO:

[YAG](#)

[YVO4](#)

[YLF](#)

[YALO](#)

[MISC.](#)

YAG | Rods

Part #040282

AFB® 0.5% Nd:YAG Laser Rod | 1.8 mm dia. x 30.0 mm L

SPECIFICATIONS Consisting of 0.5% Nd:YAG, 1.8 mm dia. x 22.0 mm L, with undoped YAG of 1.8 mm dia. x 4.0 mm L bonded to both ends.

Dopant Type, Concentration 0.5% Nd:YAG

Cross-Section (mm) 1.8 mm dia.

Length (mm) 30.0 mm L

Doped Length (mm) 22.0 mm L

Undoped Length 4.0 mm L (x2)

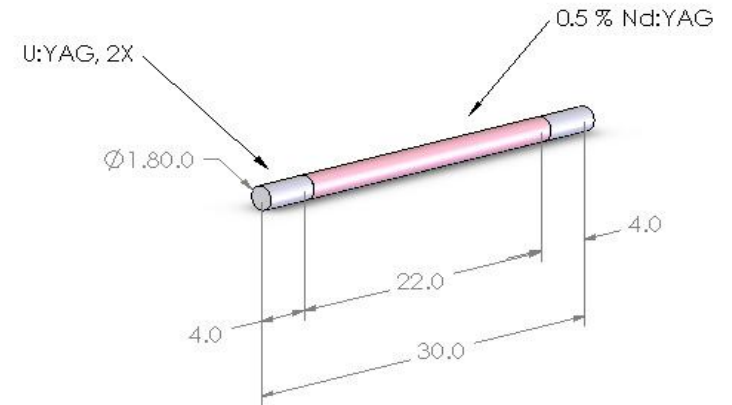
End-Face Configuration Polished to <60 sec.

Side Specifications Fine ground

Quantity One

Status In-Stock

COATING None



Part #040284

AFB® 1.0% Nd:YAG Laser Rod | 21.8 mm dia. x 30.0 mm L

SPECIFICATIONS Consisting of 1.0% Nd:YAG, 1.8 mm dia. x 22.0 mm L, with undoped YAG of 1.8 mm dia. x 4.0 mm L bonded to both ends.

Dopant Type, Concentration 1.0% Nd:YAG

Cross-Section (mm) 1.8 mm dia.

Length (mm) 30.0 mm L

Doped Length (mm) 22.0 mm L

Undoped Length 4.0 mm L (x2)

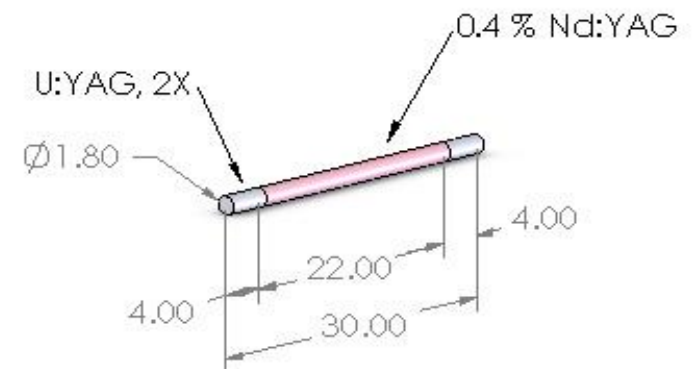
End-Face Configuration Polished to <10 sec.

Side Specifications Fine Ground

Quantity One

Status In-Stock

COATING None





Phone: (925) 833-1969

Fax: (925) 833-1759

Email: sales@onyxoptics.com

[Visit Our Website](#)

[REQUEST A QUOTE HERE](#)

NAVIGATE TO:

[YAG](#)

[YVO4](#)

[YLF](#)

[YALO](#)

[MISC.](#)

YAG | Rods

Part #040285

AFB® 1.0% Nd:YAG Laser Rod | 3.0 mm dia. x <28.0 mm L

SPECIFICATIONS Consisting of 1.0% Nd:YAG, 3.0 mm dia. x 20.0 mm L, with undoped YAG of 3.0 mm dia. x <4.0 mm L bonded to both ends.

Dopant Type, Concentration 1.0% Nd:YAG

Cross-Section (mm) 3.0 mm dia.

Length (mm) <28.0 mm L

Doped Length (mm) 20.0 mm L

Undoped Length <4.0 mm L (x2)

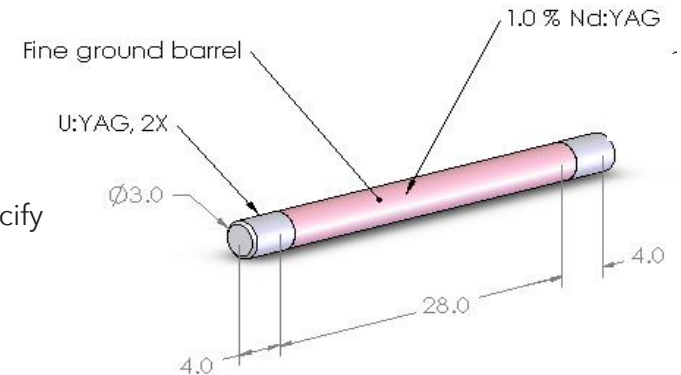
End-Face Configuration Unfinished; please specify

Side Specifications Fine Ground

Quantity One

Status In-Stock

COATING None



Part #040288

AFB® Undoped YAG / 0.5% Nd:YAG / Undoped YAG Rod | 4.0mm dia. x 40.0mm

SPECIFICATIONS Consisting of 0.5% Nd:YAG, 4.0mm dia. x 30.0mm L, with undoped YAG of 4.0mm dia. x 5.0mm L bonded to both 4.0mm dia. surfaces.

Dopant Type, Concentration 0.5% Nd:YAG

Cross-Section (mm) 4.0mm dia.

Length (mm) 40.0 mm L

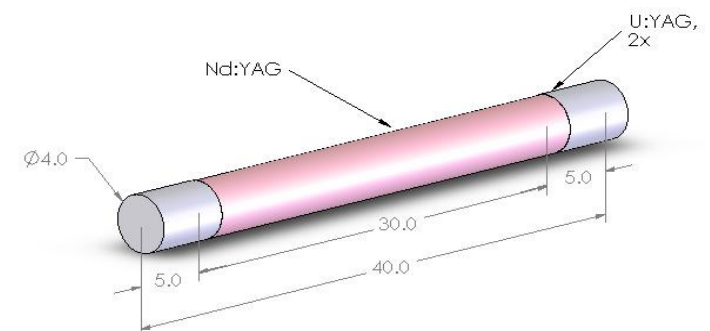
End-Face Configuration Parallel to <60 sec.

Side Specifications Fine ground

Quantity One

Status In-Stock

COATING None





Phone: (925) 833-1969

Fax: (925) 833-1759

Email: sales@onyxoptics.com

[Visit Our Website](#)

[REQUEST A QUOTE HERE](#)

NAVIGATE TO:

[YAG](#)

[YVO4](#)

[YLF](#)

[YALO](#)

[MISC.](#)

YAG | Rods

Part #040291

AFB® Cr4+:YAG /Undoped YAG Rod | 5.0 mm dia. x 3.24 mm L

SPECIFICATIONS 5.0 mm dia. x 1.0 mm L bonded to one end.

Dopant Type, Concentration Cr4+:YAG (40% T)

Diameter (mm) 5.0 mm

Length (mm) 3.24 mm L

Doped Length (mm) 2.24 mm L

Undoped Length 1.0 mm L

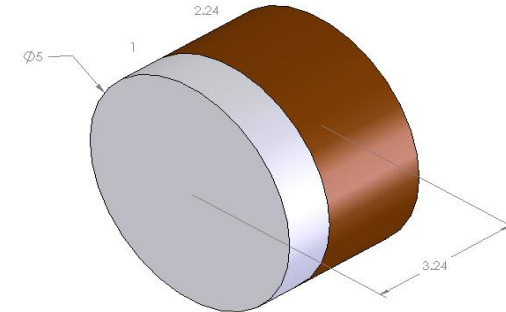
End-Face Configuration Polished to 30 sec.

Side Specifications Fine ground

Quantity One

Status In-Stock

COATING Both 5.0 mm dia. ends AR/AR @ 1064nm



Part #040292

AFB® Cr4+:YAG / Undoped YAG Rod | 5.0 mm dia. x 3.94 mm L

SPECIFICATIONS Consisting of Cr4+:YAG, 5.0 mm dia. x 2.94 mm L, with undoped YAG of 5.0 mm dia. x 1.0 mm L bonded to one end.

Dopant Type, Concentration

Cr4+:YAG (30% transmission)

Cross-Section (mm) 5.0 mm dia.

Length (mm) 3.94 mm L

Doped Length (mm) 2.94 mm L

Undoped Length 1.0 mm L

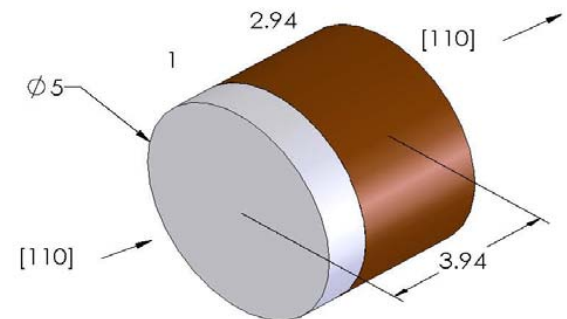
End-Face Configuration Polished to <30 sec.

Side Specifications Fine ground

Quantity One

Status In-Stock

COATING None





Phone: (925) 833-1969

Fax: (925) 833-1759

Email: sales@onyxoptics.com

[Visit Our Website](#)

[REQUEST A QUOTE HERE](#)

NAVIGATE TO:

[YAG](#)

[YVO4](#)

[YLF](#)

[YALO](#)

[MISC.](#)

YAG | Rods

Part #040293

AFB® 1.1% Nd:YAG Rod | 5.0 mm dia. x 5.0 mm L

SPECIFICATIONS Consisting of 1.1% Nd:YAG, 5.0 mm dia. x 4.0 mm L, with undoped YAG of 5.0 mm dia. x 1.0 mm L bonded to one end.

Dopant Type, Concentration 1.1% Nd:YAG

Diameter (mm) 5.0 mm

Length (mm) 5.0 mm L

Doped Length (mm) 4.0 mm L

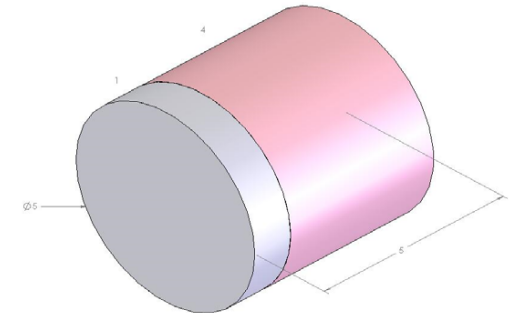
Undoped Length 1.0 mm L

End-Face Configuration Polished to 30 sec.

Side Specifications Fine ground

Quantity One

Status In-Stock



COATING

Undoped end HR>99.9% @ 1064nm, HT>97% @ 808nm

Nd:YAG end HT>99.9% @ 1064nm, HR>97% @ 808nm

Part #040294

AFB® Cr4+:YAG / Nd:YAG Rod | 2.0 mm dia. x 31.8 mm L

SPECIFICATIONS Consisting of 1.1% Nd:YAG, 2.0 mm dia. x 29.3 mm L, with Cr4+:YAG of 2.0 mm dia. x 2.5 mm L bonded to one end.

Dopant Type, Concentration 1.1% Nd:YAG; Cr4+:YAG

Cross-Section (mm) 2.0 mm dia.

Length (mm) 31.8 mm L

Doped Length (mm) 29.3 mm L

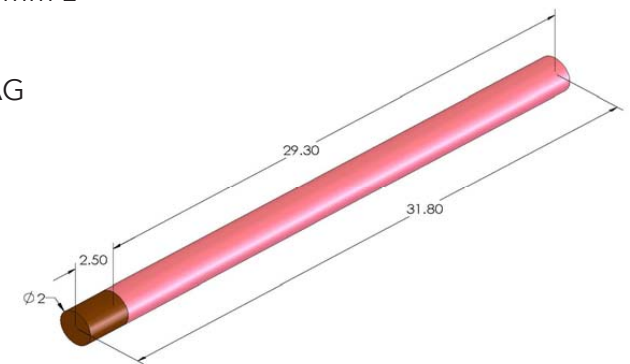
Doped Length 2.5 mm L

End-Face Configuration Polished to <60 sec.

Side Specifications Fine ground

Quantity One

Status In-Stock



COATING None



Phone: (925) 833-1969

Fax: (925) 833-1759

Email: sales@onyxoptics.com

[Visit Our Website](#)

[REQUEST A QUOTE HERE](#)

NAVIGATE TO:

[YAG](#)

[YVO4](#)

[YLF](#)

[YALO](#)

[MISC.](#)

YAG | Rods

Part #040295

AFB® Undoped YAG / Tm:YAG / Undoped YAG Rod | 4.0 mm dia. x 70.0 mm L

SPECIFICATIONS Consisting of 3.0% Tm:YAG, 4.0 mm dia. x 22.0 mm L, with undoped YAG of 4.0mm dia. x 24.0mm L bonded to both ends.

Dopant Type, Concentration 3.0% Tm:YAG

Cross-Section (mm) 4.0 mm dia.

Length (mm) 70.0 mm L

Doped Length (mm) 22.0 mm L

Undoped Length 24.0 mm L (x2)

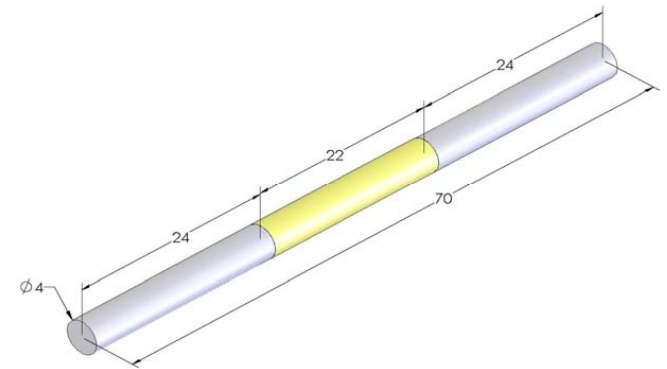
End-Face Configuration Polished to <30 sec.

Side Specifications Fine ground

Quantity One

Status In-Stock

COATING None



Part #040296

AFB® Undoped YAG / Ho:YAG / Undoped YAG Rod | 5.0 mm dia. x 40.0 mm L

SPECIFICATIONS Consisting of 0.7% Ho:YAG, 5.0 mm dia. x 30.0 mm L, with undoped YAG of 5.0mm dia. x 5.0mm L bonded to both ends.

Dopant Type, Concentration 0.7% Ho:YAG

Cross-Section (mm) 5.0 mm dia.

Length (mm) 40.0 mm L

Doped Length (mm) 30.0 mm L

Undoped Length 5.0 mm L (x2)

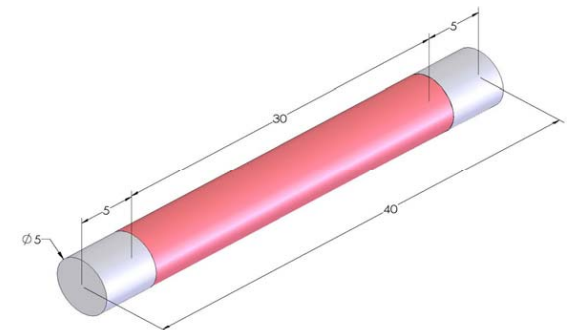
End-Face Configuration Polished to <30 sec.

Side Specifications Fine ground

Quantity One

Status In-Stock

COATING None





Phone: (925) 833-1969

Fax: (925) 833-1759

Email: sales@onyxoptics.com

[Visit Our Website](#)

[REQUEST A QUOTE HERE](#)

NAVIGATE TO:

[YAG](#)

[YVO4](#)

[YLF](#)

[YALO](#)

[MISC.](#)

YAG | Rods

Part #040297

AFB® Undoped YAG / Nd:YAG / Undoped YAG Rod | 3.0 mm dia. x 124.0 mm L

SPECIFICATIONS Consisting of 0.8% Nd:YAG, 3.0 mm dia. x 7.5 mm L, with undoped YAG of 3.0 mm dia. x 24.5 mm L bonded to both ends.

Dopant Type, Concentration 0.8% Nd:YAG

Cross-Section (mm) 3.0 mm dia.

Length (mm) 124.0 mm L

Doped Length (mm) 7.5 mm L

Undoped Length 24.5 mm L (x2)

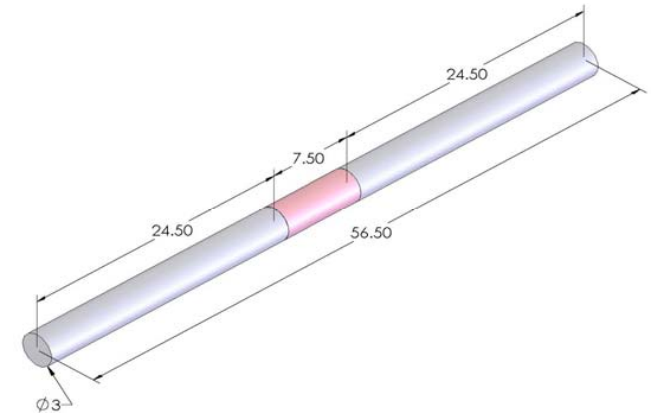
End-Face Configuration Polished to <30 sec.

Side Specifications Fine ground

Quantity One

Status In-Stock

COATING None



Part #040298

AFB® Undoped YAG / Cr4+:YAG / 1.1% Nd:YAG / Undoped YAG Rod | 2.4 mm dia. x 13.9 mm L

SPECIFICATIONS Consisting of 1.1% Nd:YAG, 2.4 mm dia. x 5.0 mm L, with Cr4+:YAG of 2.4 mm dia. x 1.9 mm L bonded to one 2.4 mm dia. end; undoped YAG of 2.4 mm dia. x 1.0 mm L bonded to the Nd:YAG end and undoped YAG of 2.4 mm dia. x 6.0 mm L bonded to the Cr4+:YAG end.

Dopant Type, Concentration 1.1% Nd:YAG; Cr4+:YAG ($\alpha = 3\text{cm}^{-1}$)

Cross-Section (mm) 2.4 mm dia.

Length (mm) 13.9 mm L

Doped Length (mm) Nd: 5.0 mm L; Cr4+: 1.9 mm L

Undoped Length 1.0 mm L; 6.0 mm L

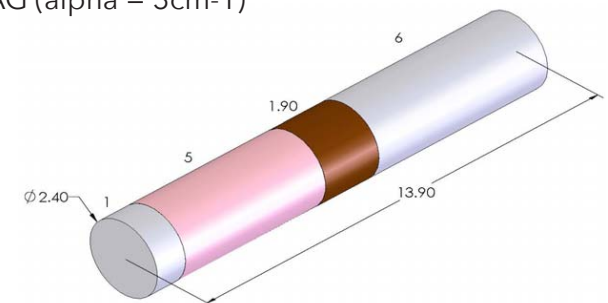
End-Face Configuration Polished to <30 sec.

Side Specifications Fine ground

Quantity Five

Status In-Stock

COATING None





Phone: (925) 833-1969

Fax: (925) 833-1759

Email: sales@onyxoptics.com

[Visit Our Website](#)

[REQUEST A QUOTE HERE](#)

NAVIGATE TO:

[YAG](#)

[YVO4](#)

[YLF](#)

[YALO](#)

[MISC.](#)

YAG | Rods

Part #040308

AFB® 0.6% Nd:YAG Laser Rod | 4.5mm dia. x 30mm L

SPECIFICATIONS Consisting of 0.6% Nd:YAG, 4.5 mm x 27.0 mm L, with undoped YAG of 4.5 mm dia. x 3.0 mm L bonded to one end.

Dopant Type, Concentration 0.6% Nd:YAG

Diameter (mm) 4.5mm dia.

Length (mm) 30.0 mm L

Doped Length (mm) 27.0 mm L

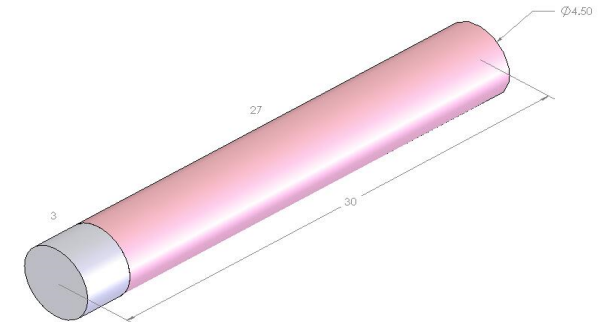
Undoped Length 3.0 mm L

End-Face Configuration Polished to <60 sec.

Side Specifications Fine ground

Quantity One

Status In-Stock



COATING

Both 4.5 mm dia. ends $R \leq 0.5\%$ @ 808nm, $R \leq 0.1\%$ @ 1064nm

Part #040311

AFB® 1.1% Nd:YAG/Cr4+:YAG
Laser Rod | 3.0 mm dia. x 12.8 mm L

SPECIFICATIONS Consisting of 1.1% Nd:YAG, 3.0 mm x 8.0 mm L, with Cr4+:YAG of 3.0 mm dia. x 0.787 mm L bonded to one end; undoped YAG of 3.0 mm dia. x 2.0 mm L bonded to both ends.

Dopant Type, Concentration 1.1% Nd:YAG / Cr4+:YAG

Diameter (mm) 3.0 mm dia.

Length (mm) 12.8 mm L

Doped Length (mm) 8.0 mm L / 0.787 mm L

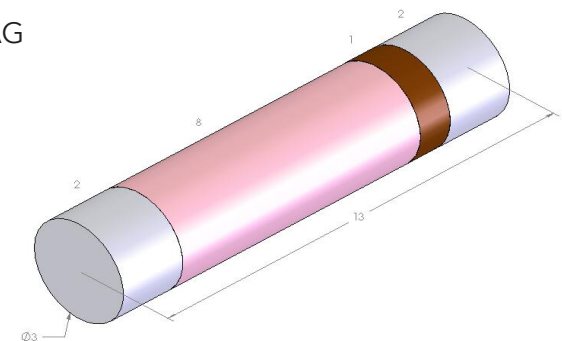
Undoped Length (x 2) 2.0 mm L

End-Face Configuration Polished to <30 sec.

Side Specifications Fine ground

Quantity Five

Status In-Stock



COATING None



Phone: (925) 833-1969

Fax: (925) 833-1759

Email: sales@onyxoptics.com

[Visit Our Website](#)

[REQUEST A QUOTE HERE](#)

NAVIGATE TO:

[YAG](#)

[YVO4](#)

[YLF](#)

[YALO](#)

[MISC.](#)

YAG | Rods

Part #040312

AFB® 1.0% Nd: / 0.5% Cr³⁺:YAG Laser Rod | 3.0 mm dia. x 40.8 mm L

SPECIFICATIONS Consisting of 1.0% Nd / 0.5% Cr⁺:YAG, 3.0 mm dia. x 38.0 mm L, with Cr:YAG of 3.0 mm dia. x 2.8 mm L bonded to one end.

Dopant Type, Concentration 1.0% Nd / 0.5% Cr³⁺:YAG / Cr⁴⁺:YAG

Diameter (mm) 3.0 mm dia.

Length (mm) 40.8 mm L

Doped Length (mm) 38.0 mm L

Undoped Length 2.8 mm L

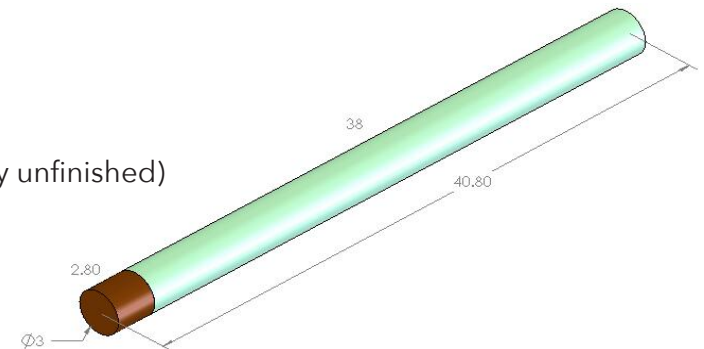
End-Face Configuration Please specify (currently unfinished)

Side Specifications Fine ground

Quantity One

Status In-Stock

COATING None





Phone: (925) 833-1969

Fax: (925) 833-1759

Email: sales@onyxoptics.com

[Visit Our Website](#)

[REQUEST A QUOTE HERE](#)

NAVIGATE TO:

[YAG](#)

[YVO4](#)

[YLF](#)

[YALO](#)

[MISC.](#)

YAG | Slabs

Part #040142

AFB® 1.5% Yb:YAG Laser Slab | 17.4 mm L x 2.5 mm W x 2.0 mm H

SPECIFICATIONS Consisting of 1.5% Yb:YAG, 10.8 mm L x 2.0 mm W x 2.5 mm H, with undoped YAG of 3.3 mm L x 2.0 mm W x 2.5 mm H bonded to both ends.

Cross-Section (mm) 2 x 2.5 mm

Length (mm) 17.4 mm L

Doped Length (mm) 10.8 mm L

Undoped Length 3.3 mm L (x2)

End-Face Configuration Flat/Flat

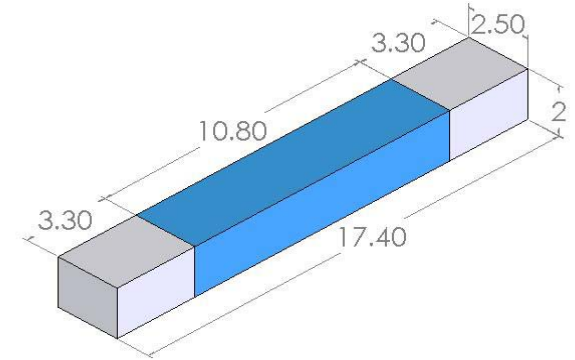
Side Specifications

2.5 x 17 fine ground; 2 x 17 precision polished

Quantity One

Status In-Stock

COATING None



Part #040147

AFB® 15.0% Yb:YAG Laser Slab | 28.0 mm L x 4 mm W x 2.0 mm H

SPECIFICATIONS Consisting of 15.0% Yb:YAG, 4 mm L x 4.0 mm W x 2.0 mm H, with undoped YAG of 12.0 mm L x 4.0 mm W x 2.0 mm H bonded to both ends.

Dopant Type, Concentration 15.0% Yb:YAG

Cross-Section (mm) 4 x 2 mm

Length (mm) 28.0 mm L

Doped Length (mm) 4.0 mm L

Undoped Length 12 mm L (x2)

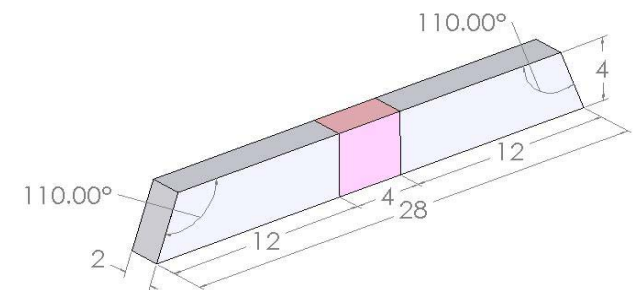
End-Face Configuration Flat/Flat with wedge

Side Specifications Fine Ground

Quantity One

Status In-Stock

COATING None





Phone: (925) 833-1969

Fax: (925) 833-1759

Email: sales@onyxoptics.com

[Visit Our Website](#)

[REQUEST A QUOTE HERE](#)

NAVIGATE TO:

[YAG](#)

[YVO4](#)

[YLF](#)

[YALO](#)

[MISC.](#)

YAG | Slabs

Part #040151

AFB® 0.6% Nd:YAG Laser Slab | 212.0 mm L x 6 mm W x 2 mm H

SPECIFICATIONS Consisting of 0.6% Nd:YAG, 12.0 mm L x 2 mm W x 2 mm H, with undoped YAG of 12.0 mm L x 2 mm W x 2 mm H bonded to both ends.

Dopant Type, Concentration 0.6% Nd:YAG

Cross-Section (mm) 6 x 2 mm

Length (mm) 6.0 mm W

Doped Length (mm) 2.0 mm W

Undoped Length 2.0 mm W (x2)

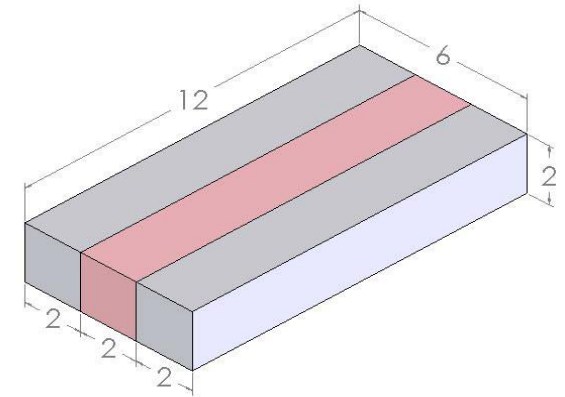
End-Face Configuration Flat/Flat

Side Specifications Inspection Polished

Quantity Three

Status In-Stock

COATING None



Part #040164

AFB® 15% Yb:YAG Laser Slab | 3.5 mm L x 6 mm W x 3 mm H

SPECIFICATIONS Consisting of 15% Yb:YAG, 1.5 mm L x 6.0 mm W x 3.0 mm H, with undoped YAG of 1.0 mm L x 6.0 mm W x 3.0 mm H bonded to both ends.

Dopant Type, Concentration 15% Yb:YAG

Cross-Section (mm) 3 x 6 mm

Length (mm) 3.5 mm L

Doped Length (mm) 1.5 mm L

Undoped Length 1.0 mm L (x2)

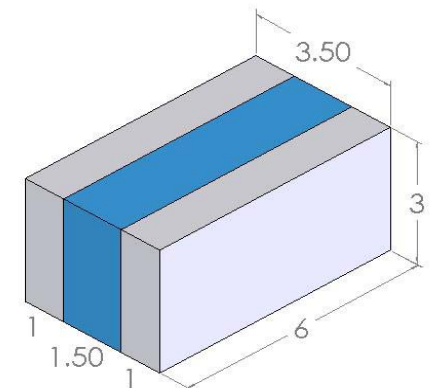
End-Face Configuration Flat/Flat

Side Specifications Fine Ground

Quantity One

Status In-Stock

COATING None





Phone: (925) 833-1969

Fax: (925) 833-1759

Email: sales@onyxoptics.com

[Visit Our Website](#)

[REQUEST A QUOTE HERE](#)

NAVIGATE TO:

[YAG](#)

[YVO4](#)

[YLF](#)

[YALO](#)

[MISC.](#)

YAG | Slabs

Part #040169

AFB® Undoped YAG /3.0% Yb:YAG Slab | 3.0 mm x 10.0 mm x 21.2 mm

SPECIFICATIONS Consisting of 3.0% Yb:YAG, 1.5 mm x 10 mm x 10.8 mm, with undoped YAG of the same dimensions bonded to one 10 mm x 10.8 mm surface; structure has undoped YAG of 3 mm x 10 mm x 5.2mm bonded to each end.

Dopant Type, Concentration 3.0% Yb:YAG

Cross-section (mm) 3.0 mm x 10.0 mm

Length (mm) 21.1 mm L

Doped Length (mm) 10.8 mm L

Undoped Length 5.2 mm L (x 2)

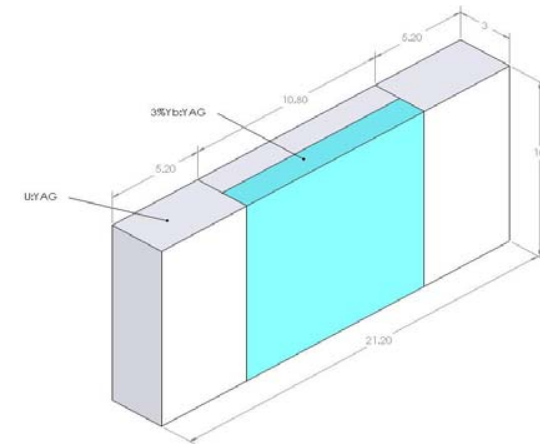
End-Face Configuration Fine ground
(3.0 mm x 10.0 mm surfaces)

Side Specifications Polished <30 sec.
(10.0 mm x 21.2 mm surfaces)

Quantity One

Status In-Stock

COATING None



Part #040179

AFB® 1.3% Nd:YAG Clad Slab | 64 mm L x 3 mm W x 9 mm H

SPECIFICATIONS Consisting of 1.3% Nd:YAG, 60 mm L x 3.0 mm W x 9.0 mm H, with undoped YAG of 2.0 mm L x 3.0 mm W x 9.0 mm H bonded to both ends.

Dopant Type, Concentration 1.3% Nd:YAG

Cross-Section (mm) 3 x 9 mm

Length (mm) 64 mm L

Doped Length (mm) 60 mm L

Undoped Length 2.0 mm L (x2)

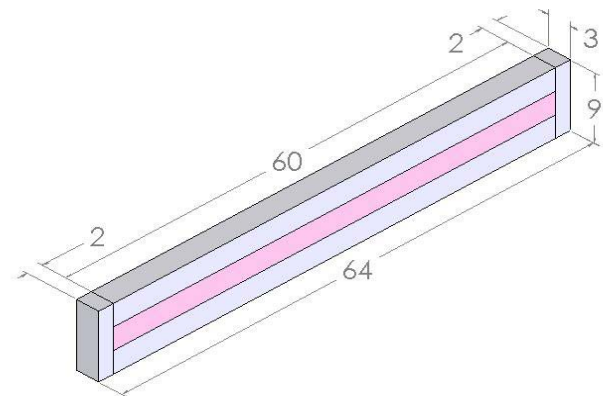
End-Face Configuration Flat/Flat

Side Specifications Precision Polished

Quantity Two

Status In-Stock

COATING None





Phone: (925) 833-1969

Fax: (925) 833-1759

Email: sales@onyxoptics.com

[Visit Our Website](#)

[REQUEST A QUOTE HERE](#)

NAVIGATE TO:

[YAG](#)

[YVO4](#)

[YLF](#)

[YALO](#)

[MISC.](#)

SECTION TITLE | Subsection Title if Necc.

Part #040217

AFB® 1.0% Nd:YAG Laser Slab | 6 mm L x 3 mm W x 2 mm H

SPECIFICATIONS Consisting of 1.0% Nd:YAG, 2 mm L x 3 mm W x 2 mm H, with undoped YAG of 2 mm L x 3 mm W x 2 mm H bonded to both ends.

Cross-Section (mm) 3 x 2 mm

Length (mm) 6 mm L

Doped Length (mm) 2 mm L

Undoped Length 2 mm L (x 2)

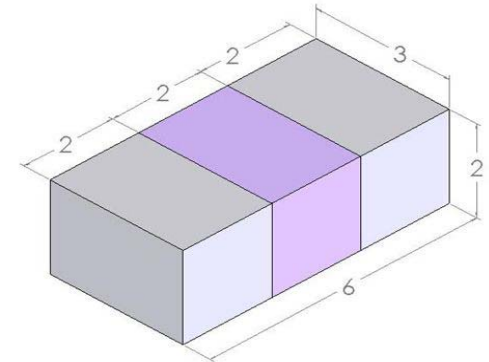
End-Face Configuration Flat/Flat

Side Specifications 2 mm x 6 mm sides fine ground;
3 mm x 6 mm sides inspection polished

Quantity Eight

Status In-Stock

COATING None



Part #040245

AFB® 1.0% Ho:YAG Laser Slab | 1.0 mm x 4.42 mm x 15 mm

SPECIFICATIONS Consisting of 1.0% Ho:YAG, 1.0 mm x 0.42 mm x 15.0 mm, with sapphire of 1.0 mm x 2.0 mm x 15.0 mm bonded to both sides.

Dopant Type, Concentration 1.0% Ho:YAG

Cross-Section (mm) 1.0 mm x 4.42 mm

Length (mm) 15.0 mm L

Doped Length (mm) 15.0 mm L

Sapphire Length 15.0 mm L

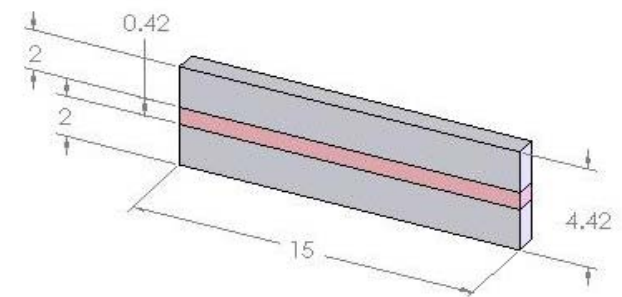
End-Face Configuration Flat/Flat

Side Specifications Inspection polished

Quantity Two

Status In-Stock

COATING None





Phone: (925) 833-1969

Fax: (925) 833-1759

Email: sales@onyxoptics.com

[Visit Our Website](#)

[REQUEST A QUOTE HERE](#)

NAVIGATE TO:

[YAG](#)

[YVO4](#)

[YLF](#)

[YALO](#)

[MISC.](#)

YAG | Slabs

Part #040266

AFB® Cr4+:YAG / Nd:YAG Slab | 1.6mm x 1.6mm x 17.09mm L

SPECIFICATIONS Consisting of 1.0% Nd:YAG, 1.6mm x 1.6mm x 14.85mm, with Cr4+:YAG of 1.6mm x 1.6mm x 2.24mm AFB'd to one end; top surface (1.6mm x 17.09mm) and both end faces (1.6mm x 1.6mm) polished; one end face (1.6mm x 1.6mm) has 18" wedge; remaining surfaces fine ground.

Dopant Type, Concentration 1.0% Nd:YAG; Cr4+:YAG

Cross-Section (mm) 1.6mm x 1.6mm

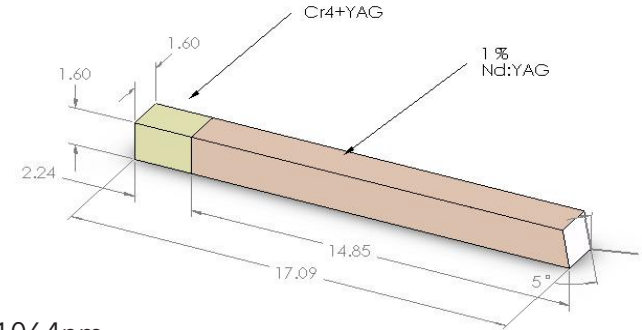
Length (mm) 17.09 mm L

Nd Length (mm) 14.85 mm **Cr4+ Length** 2.24mm

End-Face Configuration One end face has 18" wedge

Side Specifications Fine ground

Quantity Twenty **Status** In-Stock



COATING

Cr4+:YAG end (1.6 mm x 1.6 mm): R = 60% +/-3% @ 1064nm

Nd:YAG end (1.6 mm x 1.6 mm): R = >99.5% @ 1064nm

Top surface (1.6 mm x 17.09 mm): R<0.25% @ 808nm

Part #040268

AFB® Undoped YAG / 1.0% Nd:YAG / Cr4+:YAG / 1.0% Nd:YAG / Undoped YAG Slab | 2.0 mm x 2.0 mm x 16.2 mm L

SPECIFICATIONS Consisting of Cr4+:YAG, 2.0 mm x 2.0 mm x 5.1 mm L, with 1.0% Nd:YAG of 2.0 mm x 2.0 mm x 2.95 mm L and 4.05 mm L bonded to both ends; above has undoped YAG of 2.0 mm x 2.0mm x 2.05mm L bonded to both ends.

Dopant Type, Concentration Cr4+:YAG; 1.0% Nd:YAG

Cross-section (mm) 2.0 mm x 2.0 mm

Length (mm) 16.2 mm L

Doped Length (mm) 5.1 mm L (Cr); 2.95 mm L and 4.05 mm L (Nd)

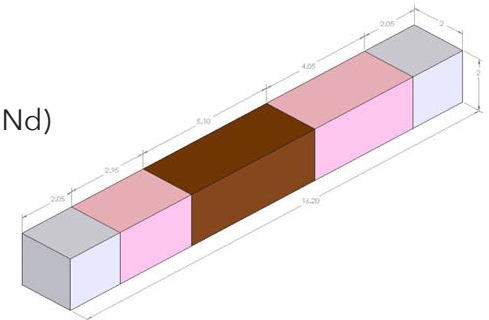
Undoped Length 2.05 mm L (x 2)

End-Face Configuration Polished to <60 sec.

Side Specifications Fine ground

Quantity Twelve

Status In-Stock



COATING

One end: T>95% @ 808nm, T>95% @ 885nm, R>99.9% @ 1064nm

One end: T>95% @ 808nm, T>85% @ 885nm, R=40% @ 1064nm



Phone: (925) 833-1969

Fax: (925) 833-1759

Email: sales@onyxoptics.com

[Visit Our Website](#)

[REQUEST A QUOTE HERE](#)

NAVIGATE TO:

[YAG](#)

[YVO4](#)

[YLF](#)

[YALO](#)

[MISC.](#)

YAG | Disks

Part #040215

AFB® 1.0% Nd:YAG/Undoped YAG Disk | 10 mm dia. X 1.5 mm T

SPECIFICATIONS Consisting of 1.0% Nd:YAG, 10 mm dia. X 0.5 mm T, with undoped YAG of 10 mm dia. x 1.0 mm T bonded to one side.

Dopant Type, Concentration 1.0% Nd:YAG

Cross-Section (mm) 10 mm dia

Length (mm) 1.5 mm L

Doped Length (mm) 0.5 mm L

Undoped Length 1.0 mm L

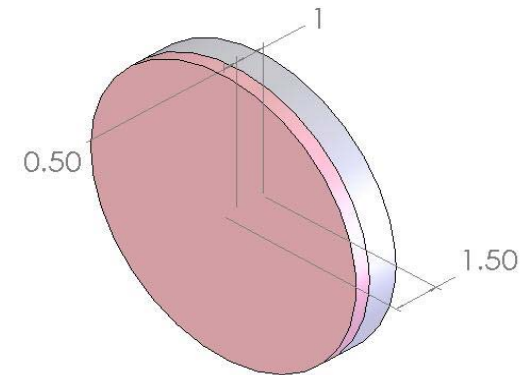
End-Face Configuration Flat/Flat

Side Specifications Fine Ground

Quantity Two

Status In-Stock

COATING None



Part #040230

AFB® Cr4+:YAG / 1.3% Nd:YAG Disk | 12.0mm dia. x ~5mm T

SPECIFICATIONS Consisting of 1.3% Nd:YAG, 12.0mm dia. x ~3mm L, with Cr4+:YAG of 12.0mm dia. x ~2.0mm L AFB'd to one 12.0mm surface.

Dopant Type, Concentration: 1.3% Nd:YAG; Cr4+:YAG

Cross-Section (mm): 12.0mm dia.

Length (mm): ~5.0 mm L

Nd Length (mm): ~3.0 mm L

Cr Length ~2.0 mm L

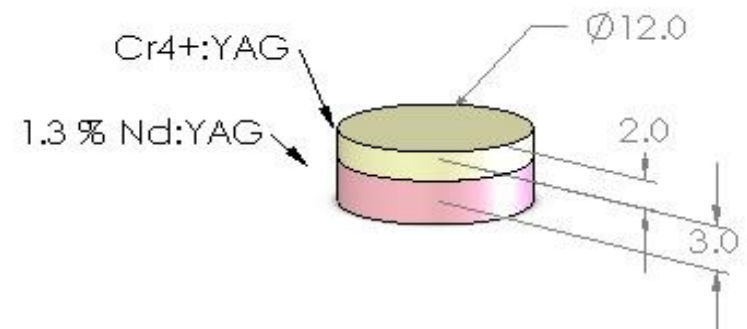
End-Face Configuration: Specify

Side Specifications: Specify

Quantity: Three

Status: In-Stock

COATING None





Phone: (925) 833-1969

Fax: (925) 833-1759

Email: sales@onyxoptics.com

[Visit Our Website](#)

[REQUEST A QUOTE HERE](#)

NAVIGATE TO:

[YAG](#)

[YVO4](#)

[YLF](#)

[YALO](#)

[MISC.](#)

YAG | Disks

Part #040232

AFB® 1.3% NdCe:YAG / Cr4+:YAG Laser Disks | Dimensions TBD

SPECIFICATIONS Consisting of 1.3% NdCe:YAG / Cr4+:YAG. Final dimensions may be determined by customer. Please contact us to provide your requested specifications (reference part #040232).

Dopant Type, Concentration 1.3% NdCe:YAG / Cr4+:YAG

Quantity Three

Status In-Stock

COATING Please specify.

Part #040235

AFB® 1.0% Nd:YAG Disk | 8 mm dia. x 2.5 mm L

SPECIFICATIONS Consisting of 1.0% Nd:YAG, 8.0 mm dia. x 1.5 mm L, with undoped YAG of 8.0 mm dia. x 1.0 mm L bonded to one end.

Dopant Type, Concentration 1.0% Nd:YAG

Diameter (mm) 8.0 mm

Length (mm) 2.5 mm L

Doped Length (mm) 1.5 mm L

Undoped Length 1.0 mm L

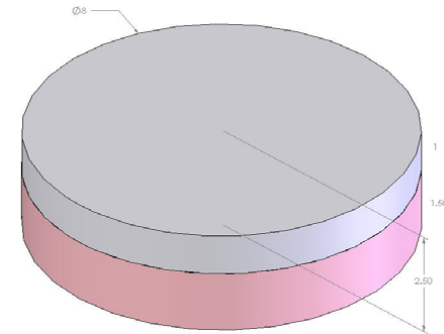
End-Face Configuration Polished to <60 sec.

Side Specifications Fine ground

Quantity Three

Status In-Stock

COATING None





Phone: (925) 833-1969

Fax: (925) 833-1759

Email: sales@onyxoptics.com

[Visit Our Website](#)

[REQUEST A QUOTE HERE](#)

NAVIGATE TO:

[YAG](#)

[YVO4](#)

[YLF](#)

[YALO](#)

[MISC.](#)

YAG | Disks

Part #040279

AFB® 10% Yb:YAG / Undoped YAG Disk | 20.0mm dia. x ~2.0mm T

SPECIFICATIONS Consisting of 10% Yb:YAG, 20.0mm dia. x ~1.0mm L, with undoped YAG of 20.0mm dia. x ~1.0mm L AFB'd to one 20.0mm surface.

Dopant Type, Concentration 10% Yb:YAG

Cross-Section (mm) 20.0mm dia.

Length (mm) ~2.0 mm L

Nd Length (mm) ~1.0 mm L

Undoped Length ~1.0 mm L

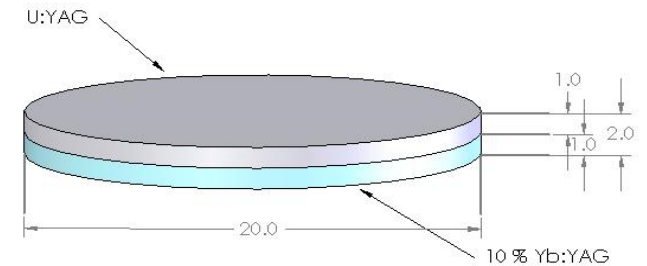
End-Face Configuration Polished to <30 sec.

Side Specifications Fine ground

Quantity One

Status In-Stock

COATING None





Phone: (925) 833-1969

Fax: (925) 833-1759

Email: sales@onyxoptics.com

[Visit Our Website](#)

[REQUEST A QUOTE HERE](#)

NAVIGATE TO:

[YAG](#)

[YVO4](#)

[YLF](#)

[YALO](#)

[MISC.](#)

YVO4 | Rods

Part #040249

AFB® 0.5% Nd:YVO4 / Undoped YVO4 Laser Rod | 4.0mm dia. x 9.8mm L

SPECIFICATIONS Consisting of 0.5% Nd:YVO4, 4.0mm dia. x 8.0mm L, with undoped YVO4 of 4.0mm dia. x 0.9mm L AFB'd to both ends.

Dopant Type, Concentration 0.5% Nd:YVO4

Cross-Section (mm) 4.0mm dia.

Length (mm) 9.8 mm L

Doped Length (mm) 8.0 mm

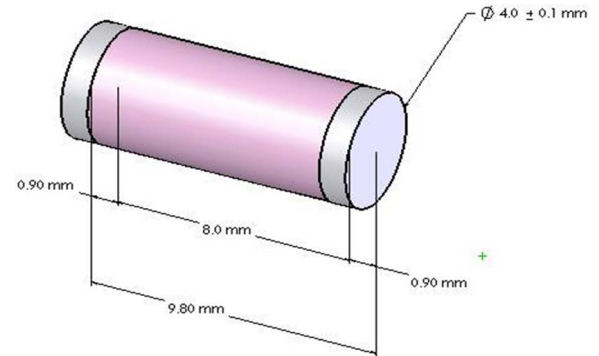
Undoped Length 0.9 mm L (x2)

End-Face Configuration Flat/Flat

Side Specifications Fine ground

Quantity One

Status In-Stock



COATING None

Part #040252

AFB® Undoped YVO4 / 0.5% Nd:YVO4 / Undoped YVO4 Rod | 3.0mm dia. x 30mm L

SPECIFICATIONS Consisting of 0.5% Nd:YAG, 3.0mm dia. x 20.0mm L, with undoped YVO4 of 3.0mm dia. x 5.0mm L AFB'd to both ends. Dopant Type, Concentration: 0.5% Nd:YVO4 Cross-Section (mm): 3.0mm dia.

Length (mm): 30.0 mm L

Nd Length (mm): 20.0 mm

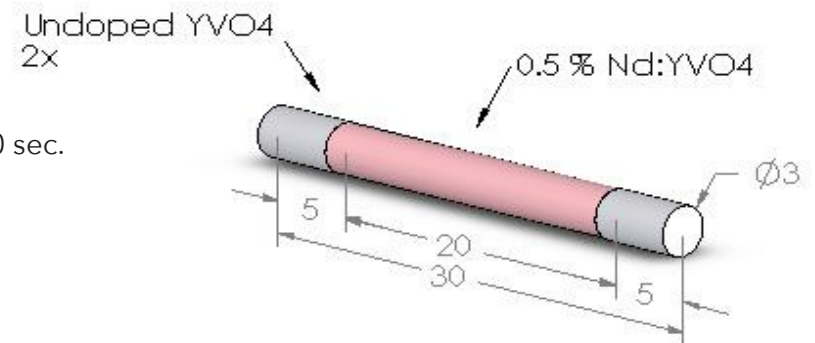
Undoped Length: 5.0 mm L

End-Face Configuration: Parallel to <30 sec.

Side Specifications: Fine ground

Quantity: Two

Status: In-Stock



COATING None



Phone: (925) 833-1969

Fax: (925) 833-1759

Email: sales@onyxoptics.com

[Visit Our Website](#)

[REQUEST A QUOTE HERE](#)

NAVIGATE TO:

[YAG](#)

[YVO4](#)

[YLF](#)

[YALO](#)

[MISC.](#)

YVO4 | Rods

Part #040286

AFB® Undoped YVO4 / 0.5% Nd:YVO4 / Undoped YVO4 Rod | 4.0mm dia. x 10.0mm

SPECIFICATIONS Consisting of 0.5% Nd:YVO4, 4.0mm dia. x 8.0mm L, with undoped YVO4 of 4.0mm dia. x 1.0mm L bonded to both 4mm dia. surfaces.

Dopant Type, Concentration 0.5% Nd:YVO4

Cross-Section (mm) 4.0mm dia.

Length (mm) 10.0 mm L

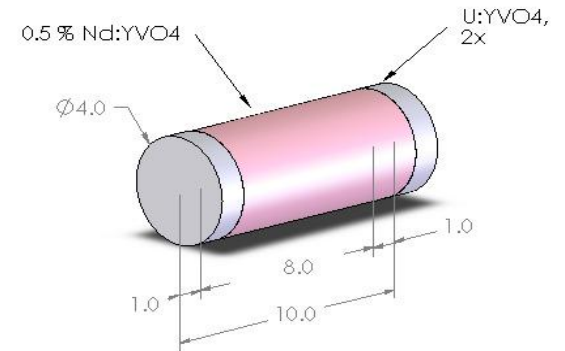
End-Face Configuration Parallel to <30 sec.

Side Specifications Fine ground

Quantity Two

Status In-Stock

COATING None





Phone: (925) 833-1969

Fax: (925) 833-1759

Email: sales@onyxoptics.com

[Visit Our Website](#)

[REQUEST A QUOTE HERE](#)

NAVIGATE TO:

[YAG](#)

[YVO4](#)

[YLF](#)

[YALO](#)

[MISC.](#)

YVO4 | Slabs

Part #0401291

AFB® 0.3% Nd:YVO4 Slab | 3.0 mm x 3.0 mm x 9.5 mm L

SPECIFICATIONS Consisting of 0.3% Nd:YVO4, 3.0 mm x 3.0 mm x 7.8 mm L, with undoped YVO4 of 3.0 mm x 3.0 mm x 1.7 mm L bonded to one end.

Dopant Type, Concentration 0.3% Nd:YVO4

Cross-section (mm) 3.0 mm x 3.0 mm

Length (mm) 9.5 mm L

Doped Length (mm) 7.8 mm L

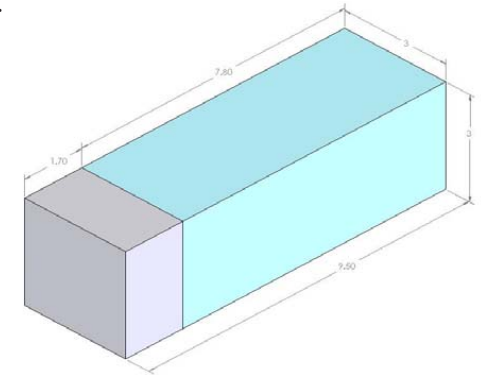
Undoped Length 1.7 mm L

End-Face Configuration Polished to 10 sec.

Side Specifications Fine ground

Quantity Two

Status In-Stock



COATING Both 3.0 mm x 3.0 mm end faces $R < 0.1\%$ @ 1064nm and $R < 1.0\%$ @ 808nm

Part #040133

AFB® 1.0% Nd:YVO4 Laser Slab | 7.5 mm L x 3 mm W x 3 mm H

SPECIFICATIONS Consisting of 1.0% Nd:YVO4, 1.5 mm L x 3 mm W x 3 mm H, with undoped YVO4 of 3 mm L x 3 mm W x 3 mm H bonded to both ends.

Dopant Type, Concentration 1.0% Nd:YVO4

Cross-Section (mm) 3 x 3 mm

Length (mm) 7.5 mm L

Doped Length (mm) 1.5 mm L

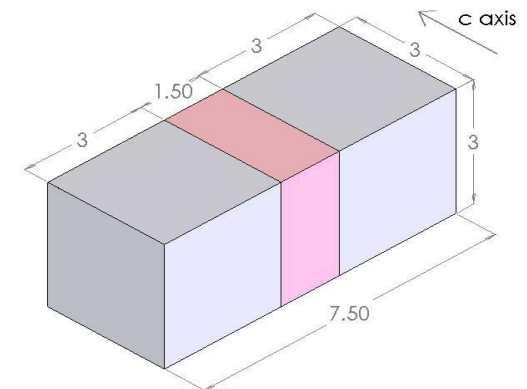
Undoped Length 3 mm L (x2)

End-Face Configuration Flat/Flat

Side Specifications Fine Ground

Quantity Two

Status In-Stock



COATING None



Phone: (925) 833-1969

Fax: (925) 833-1759

Email: sales@onyxoptics.com

[Visit Our Website](#)

[REQUEST A QUOTE HERE](#)

NAVIGATE TO:

[YAG](#)

[YVO4](#)

[YLF](#)

[YALO](#)

[MISC.](#)

YVO4 | Slabs

Part #040135

AFB® 0.3% Nd:YVO4 Laser Slab | 7.0 mm L x 3 mm W x 3 mm H

SPECIFICATIONS Consisting of 0.3% Nd:YVO4, 1.0 mm L x 3 mm W x 3 mm H, with undoped YVO4 of 3 mm L x 3 mm W x 3 mm H bonded to both ends.

Dopant Type, Concentration 0.3% Nd:YVO4

Cross-Section (mm) 3 x 3 mm

Length (mm) 7.0 mm L

Doped Length (mm) 1.0 mm L

Undoped Length 3 mm L (x2)

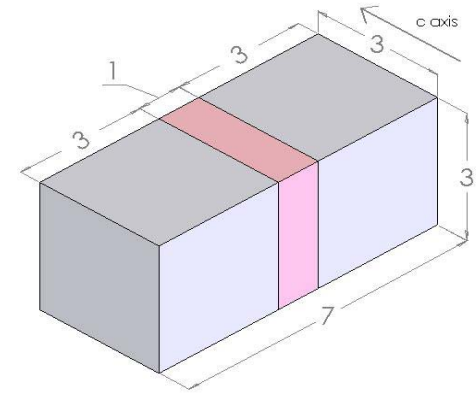
End-Face Configuration Flat/Flat

Side Specifications Fine Ground

Quantity Two

Status In-Stock

COATING None



Part #040137

AFB® 0.3% Nd:YVO4 Laser Slab | 7.0 mm L x 3 mm W x 3 mm H

SPECIFICATIONS Consisting of 0.3% Nd:YVO4, 1.0 mm L x 3 mm W x 3 mm H, with undoped YVO4 of 3 mm L x 3 mm W x 3 mm H bonded to both ends.

Dopant Type, Concentration 0.3% Nd:YVO4

Cross-Section (mm) 3 x 3 mm

Length (mm) 7.0 mm L

Doped Length (mm) 1.0 mm L

Sapphire Length 3 mm L (x2)

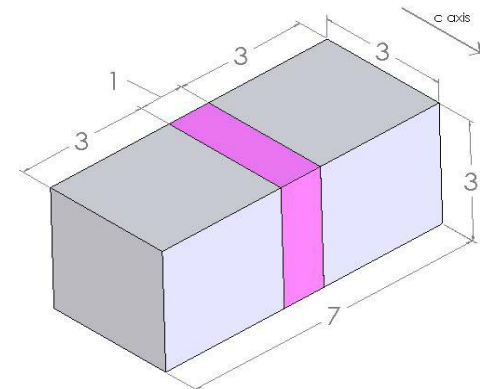
End-Face Configuration Flat/Flat

Side Specifications Fine Ground

Quantity One

Status In-Stock

COATING None





Phone: (925) 833-1969

Fax: (925) 833-1759

Email: sales@onyxoptics.com

[Visit Our Website](#)

[REQUEST A QUOTE HERE](#)

NAVIGATE TO:

[YAG](#)

[YVO4](#)

[YLF](#)

[YALO](#)

[MISC.](#)

YVO4 | Slabs

Part #040144

AFB® 0.3% Nd:YVO4 Laser Slab | 14 mm L x 2.5 mm W x 2.5 mm H

SPECIFICATIONS Consisting of 0.3% Nd:YVO4, 8 mm L x 2.5 mm W x 2.5 mm H, with undoped YVO4 of 2.6 mm L x 2.5 mm W x 2.5 mm H bonded to one end and undoped YVO4 of 3.4 mm L x 2.5 mm W x 2.5 mm H bonded to the other end.

Dopant Type, Concentration 0.3% Nd:YVO4

Cross-Section (mm) 2.5 x 2.5 mm

Length (mm) 14 mm L

Doped Length (mm) 8 mm L

Undoped Length 3.4 mm L on one side and 2.6 mm L on the other side

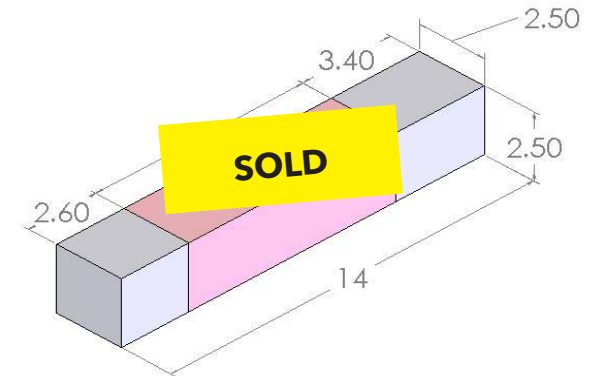
End-Face Configuration Flat/Flat

Side Specifications Fine Ground

Quantity One

Status In-Stock

COATING None



Part #040152

AFB® 0.3% Nd:YVO4 Laser Slab | 14 mm L x 4 mm W x 4 mm H

SPECIFICATIONS Consisting of 0.3% Nd:YVO4, 8 mm L x 4 mm W x 4 mm H, with undoped YVO4 of 3 mm L x 4 mm W x 4 mm H bonded to both ends.

Dopant Type, Concentration 0.3% Nd:YVO4

Cross-Section (mm) 4 x 4 mm

Length (mm) 14 mm L

Doped Length (mm) 8 mm L

Undoped Length 3 mm L (x2)

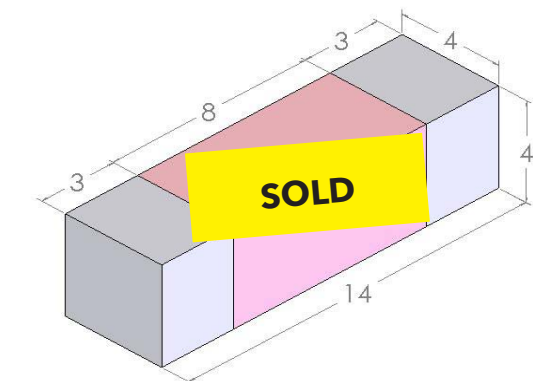
End-Face Configuration Flat/Flat

Side Specifications Fine Ground

Quantity One

Status In-Stock

COATING None





Phone: (925) 833-1969

Fax: (925) 833-1759

Email: sales@onyxoptics.com

[Visit Our Website](#)

[REQUEST A QUOTE HERE](#)

NAVIGATE TO:

[YAG](#)

[YVO4](#)

[YLF](#)

[YALO](#)

[MISC.](#)

YVO4 | Slabs

Part #040157

AFB® 2.0% Nd:YVO4 Laser Slab | 8.1 mm L x 4 mm W x 4 mm H

SPECIFICATIONS Consisting of 2.0% Nd:YVO4, 7.8 mm L x 3 mm W x 3 mm H, with undoped YVO4 of 0.3 mm L x 4 mm W x 4 mm H bonded to one end.

Dopant Type, Concentration 2.0% Nd:YVO4

Cross-Section (mm) 3 x 3 mm

Length (mm) 8.1 mm L

Doped Length (mm) 7.8 mm L

Undoped Length 0.3 mm L

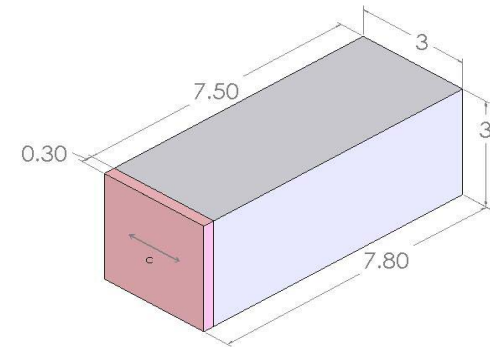
End-Face Configuration Flat/Flat

Side Specifications Fine Ground

Quantity One

Status In-Stock

COATING None



Part #040158

AFB® 1.0% Nd:YVO4 Laser Slab | 14 mm L x 3.3 mm W x 3 mm H

SPECIFICATIONS Consisting of 1.0% Nd:YVO4, 14 mm L x 3.0 mm W x 3 mm H, with undoped YVO4 of 14 mm L x 0.3 mm W x 4 mm H bonded to one end.

Dopant Type, Concentration 1.0% Nd:YVO4

Cross-Section (mm) 14 x 3 mm

Length (mm) 3.3 mm W

Doped Length (mm) 3.0 mm W

Undoped Length 0.3 mm W

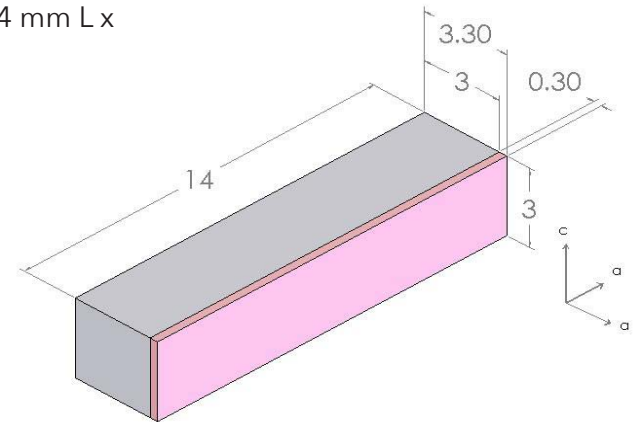
End-Face Configuration Flat/Flat

Side Specifications Fine Ground

Quantity One

Status In-Stock

COATING None





Phone: (925) 833-1969

Fax: (925) 833-1759

Email: sales@onyxoptics.com

[Visit Our Website](#)

[REQUEST A QUOTE HERE](#)

NAVIGATE TO:

[YAG](#)

[YVO4](#)

[YLF](#)

[YALO](#)

[MISC.](#)

YVO4 | Slabs

Part #040159

AFB® 1.0% Nd:YVO4 Laser Slab | 6.5 mm L x 3.5 mm W x 3 mm H

SPECIFICATIONS Consisting of 1.0% Nd:YVO4, 3.25 mm L x 3.5 mm W x 3 mm H, with undoped YVO4 of 3.25 mm L x 3.5 mm W x 3 mm H bonded to one end.

Cross-Section (mm) 3.5 x 3 mm

Length (mm) 6.5 mm L

Doped Length (mm) 3.25 mm L

Undoped Length 3.25 mm L

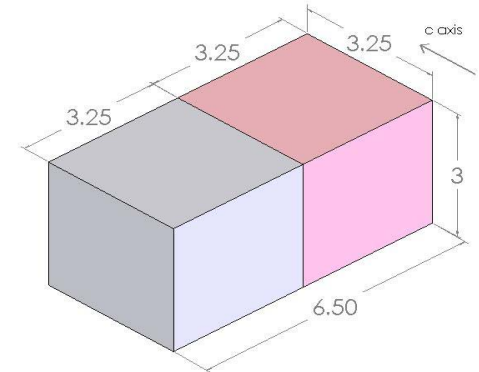
End-Face Configuration 2 degree parallel wedge

Side Specifications Fine Ground

Quantity One

Status In-Stock

COATING None



Part #040160

AFB® 1.0% Nd:YVO4 Laser Slab | 11.6 mm L x 2.8 mm W x 2.8 mm H

SPECIFICATIONS Consisting of 1.0% Nd:YVO4, 8.2 mm L x 2.8 mm W x 2.8 mm H, with undoped YVO4 of 3.4 mm L x 2.8 mm W x 2.8 mm H bonded to both ends.

Dopant Type, Concentration 1.0% Nd:YVO4

Cross-Section (mm) 2.8 x 2.8 mm

Length (mm) 11.6 mm L

Doped Length (mm) 8.2 mm L

Undoped Length 3.4 mm L

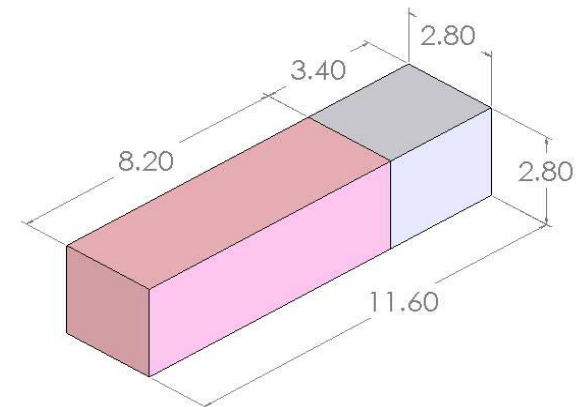
End-Face Configuration Flat/Flat

Side Specifications Fine Ground

Quantity One

Status In-Stock

COATING None





Phone: (925) 833-1969

Fax: (925) 833-1759

Email: sales@onyxoptics.com

[Visit Our Website](#)

[REQUEST A QUOTE HERE](#)

NAVIGATE TO:

[YAG](#)

[YVO4](#)

[YLF](#)

[YALO](#)

[MISC.](#)

YVO4 | Slabs

Part #040168

AFB® 0.5% Nd:YVO4 Laser Slab | 7.9 mm L x 3 mm W x 3 mm H

SPECIFICATIONS Consisting of 0.5% Nd:YVO4, 4.5 mm L x 3.0 mm W x 3 mm H, with undoped YVO4 of 3.4 mm L x 3.0 mm W x 3.0 mm H bonded to one end.

Dopant Type, Concentration 0.5% Nd:YVO4

Cross-Section (mm) 3 x 3 mm

Length (mm) 7.9 mm L

Doped Length (mm) 4.5 mm L

Undoped Length 3.4 mm L

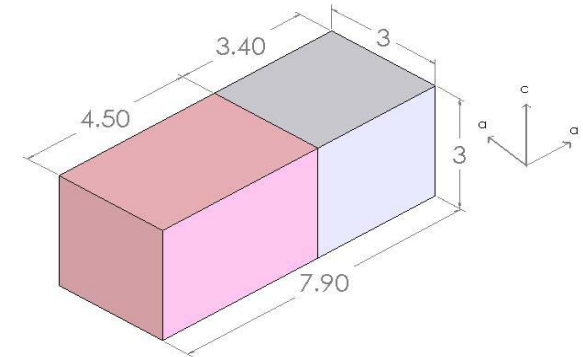
End-Face Configuration Flat/Flat

Side Specifications Fine Ground

Quantity One

Status In-Stock

COATING None



Part #040171

AFB® 1.0% Nd:YVO4 Laser Slab | 10.5 mm L x 3 mm W x 3 mm H

SPECIFICATIONS Consisting of 1.0% Nd:YVO4, 0.5 mm L x 3.0 mm W x 3.0 mm H, with undoped YVO4 of 5.0 mm L x 3.0 mm W x 3.0 mm H bonded to both ends.

Dopant Type, Concentration 1.0% Nd:YVO4

Cross-Section (mm) 3 x 3 mm

Length (mm) 10.5 mm L

Doped Length (mm) 0.5 mm L

Undoped Length 5.0 mm L (x2)

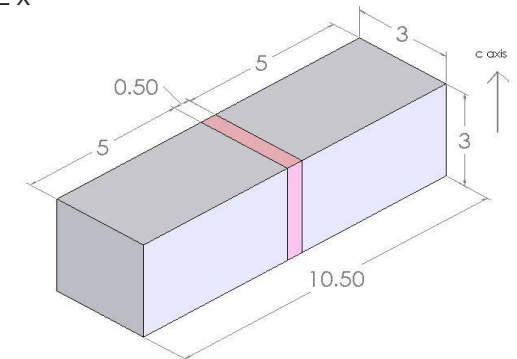
End-Face Configuration Flat/Flat

Side Specifications Fine Ground

Quantity One

Status In-Stock

COATING None





Phone: (925) 833-1969

Fax: (925) 833-1759

Email: sales@onyxoptics.com

[Visit Our Website](#)

[REQUEST A QUOTE HERE](#)

NAVIGATE TO:

[YAG](#)

[YVO4](#)

[YLF](#)

[YALO](#)

[MISC.](#)

YVO4 | Slabs

Part #040183

AFB® 0.3% Nd:YVO4 Laser Slab | 214 mm L x 3 mm W x 3 mm H

SPECIFICATIONS Consisting of 0.3% Nd:YVO4, 14 mm L x 3.0 mm W x 0.5 mm H, with undoped YVO4 of 14 mm L x 3.0 mm W x 1.25 mm H bonded to both ends.

Dopant Type, Concentration 0.3% Nd:YVO4

Cross-Section (mm) 3 x 3 mm

Length (mm) 3.0 mm H

Doped Length (mm) 0.5 mm H

Undoped Length 1.25 mm H (x2)

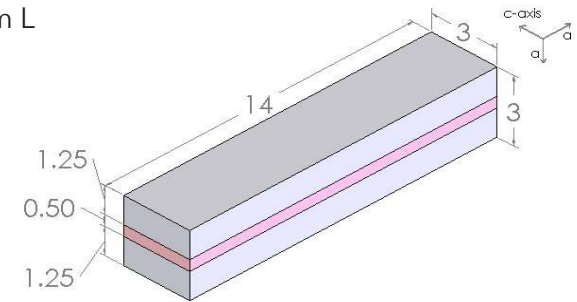
End-Face Configuration Flat/Flat

Side Specifications Fine Ground & Inspection Polished

Quantity Two

Status In-Stock

COATING None



Part #040188

AFB® 0.5% Nd:YVO4 Laser Slab | 6.5 mm L x 3 mm W x 3.5 mm H

SPECIFICATIONS Consisting of 0.5% Nd:YVO4, 3.5 mm L x 3 mm W x 3.5 mm H, with undoped YVO4 of 3 mm L x 3 mm W x 3.5 mm H bonded to one end.

Dopant Type, Concentration 0.5% Nd:YVO4

Cross-Section (mm) 3 x 3.5 mm

Length (mm) 6.5 mm L

Doped Length (mm) 3.5 mm L

Undoped Length 3 mm L

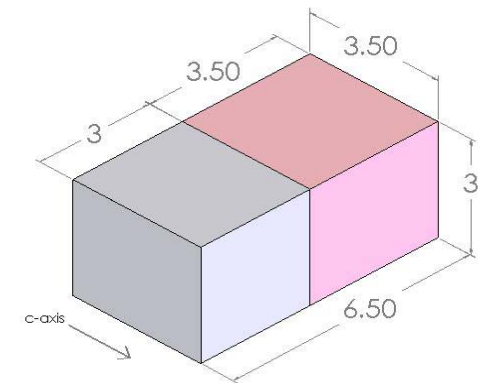
End-Face Configuration Flat/Flat

Side Specifications Fine Ground

Quantity Three

Status In-Stock

COATING None





Phone: (925) 833-1969

Fax: (925) 833-1759

Email: sales@onyxoptics.com

[Visit Our Website](#)

[REQUEST A QUOTE HERE](#)

NAVIGATE TO:

[YAG](#)

[YVO4](#)

[YLF](#)

[YALO](#)

[MISC.](#)

YVO4 | Slabs

Part #040193

AFB® 1.0% Nd:YVO4 Laser Slab | 25 mm L x 3 mm W x 3 mm H

SPECIFICATIONS Consisting of 1.0% Nd:YVO4, 15 mm L x 3 mm W x 3 mm H, with undoped YVO4 of 5 mm L x 3 mm W x 3 mm H bonded to both ends.

Dopant Type, Concentration 1.0% Nd:YVO4

Cross-Section (mm) 3 mm x 3 mm

Length (mm) 25 mm L

Doped Length (mm) 15 mm L

Undoped Length 5 mm L (x 2)

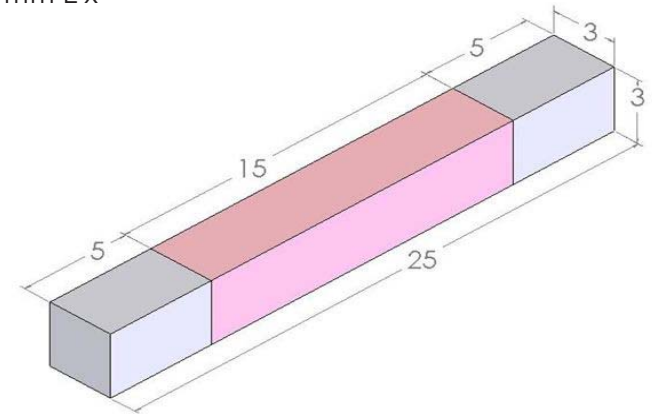
End-Face Configuration Flat/Flat

Side Specifications Fine ground

Quantity Two

Status In-Stock

COATING None



Part #040194

AFB® 0.5% Nd:YVO4 Laser Slab | 40 mm L x 4 mm W x 4 mm H

SPECIFICATIONS Consisting of 0.5% Nd:YVO4, 15 mm L x 4 mm W x 4 mm H, with 0.5% Nd:YVO4 of 15 mm L x 4 mm W x 4 mm H bonded to one end; undoped YVO4 of 5 mm L x 4 mm W x 4 mm H bonded to both ends.

Dopant Type, Concentration 0.5% Nd:YVO4

Cross-Section (mm) 4 x 4 mm

Length (mm) 40 mm L

Doped Length (mm) 30 mm L (15 mm + 15 mm)

Undoped Length 5 mm L (x 2)

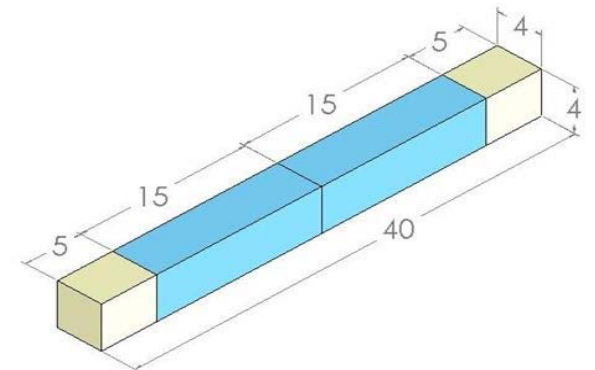
End-Face Configuration Flat/Flat

Side Specifications Fine Ground

Quantity Two

Status In-Stock

COATING None





Phone: (925) 833-1969

Fax: (925) 833-1759

Email: sales@onyxoptics.com

[Visit Our Website](#)

[REQUEST A QUOTE HERE](#)

NAVIGATE TO:

[YAG](#)

[YVO4](#)

[YLF](#)

[YALO](#)

[MISC.](#)

YVO4 | Slabs

Part #040212

AFB® 0.5% Nd:YVO4 Laser Slab | 11 mm L x 4 mm W x 4 mm H

SPECIFICATIONS Consisting of 0.5% Nd:YVO4, 7 mm L x 4 mm W x 4 mm H, with undoped YVO4 of 4 mm L x 4 mm W x 4 mm H bonded to one end.

Dopant Type, Concentration 0.5% Nd:YVO4

Cross-Section (mm) 4 x 4 mm

Length (mm) 11 mm L

Doped Length (mm) 7 mm L

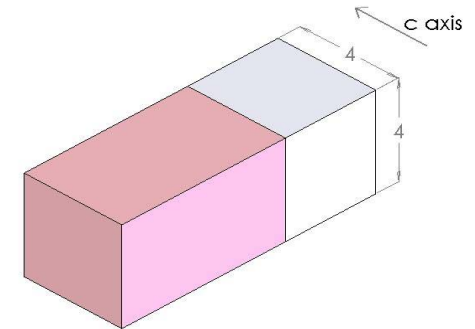
Undoped Length 4 mm L

End-Face Configuration Flat/Flat

Side Specifications Fine Ground

Quantity Four

Status In-Stock



COATING Both ends R<0.05% @ 1064nm, R<3.0% @ 808nm

Part #040218

AFB® 0.5% Nd:YVO4 Laser Slab | 11.5 mm L x 11.5 mm W x 3.4 mm H

SPECIFICATIONS Consisting of 0.5% Nd:YVO4, 11.5 mm L x 11.5 mm W x 1.5 mm H, with undoped YVO4 of 11.5 mm L x 11.5 mm W x 1.9 mm H bonded to one end.

Dopant Type, Concentration 0.5% Nd:YVO4

Cross-Section (mm) 11.5 x 11.5 mm

Length (mm) 3.4 mm L

Doped Length (mm) 1.5 mm L

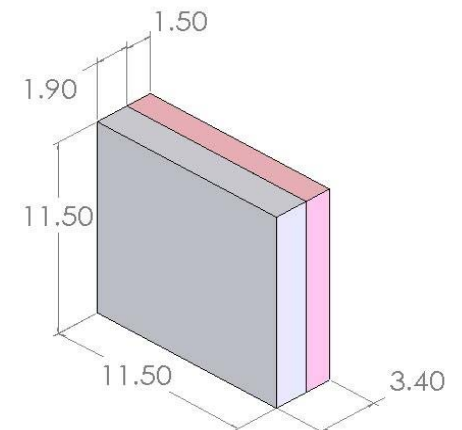
Undoped Length 1.9 mm L

End-Face Configuration Fine Ground

Side Specifications Fine Ground

Quantity One

Status In-Stock



COATING None



Phone: (925) 833-1969

Fax: (925) 833-1759

Email: sales@onyxoptics.com

[Visit Our Website](#)

[REQUEST A QUOTE HERE](#)

NAVIGATE TO:

[YAG](#)

[YVO4](#)

[YLF](#)

[YALO](#)

[MISC.](#)

YVO4 | Slabs

Part #040219

AFB® 1.0% Nd:YVO4 Laser Slab | 11.5 mm L x 11.5 mm W x 3.5 mm H

SPECIFICATIONS Consisting of 1.0% Nd:YVO4, 11.5 mm L x 11.5 mm W x 1.5 mm H, with undoped YVO4 of 11.5 mm L x 11.5 mm W x 2.05 mm H bonded to one surface.

Dopant Type, Concentration 0.3% Nd:YVO4

Cross-Section (mm) 11.5 x 11.5 mm

Length (mm) 3.5 mm L

Doped Length (mm) 1.5 mm L

Undoped Length 2.05 mm L

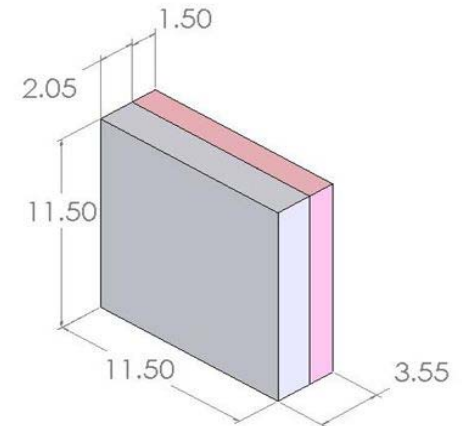
End-Face Configuration Fine Ground

Side Specifications Fine Ground

Quantity One

Status In-Stock

COATING None



Part #040231

AFB® 0.2% Nd:YVO4 Laser Slab | 2.5mm x 6.0mm x 8.0mm

SPECIFICATIONS Consisting of 0.2% Nd:YVO4, 2.5 mm x 6.0 mm x 5.0 mm, with undoped YVO4 of 2.5 mm x 6.0 mm x 3.0 mm bonded to one end.

Dopant Type, Concentration 0.2% Nd:YVO4

Cross-Section (mm) 2.5 mm x 6.0 mm

Length (mm) 8.0 mm L

Doped Length (mm) 5.0 mm L

Undoped Length 3.0 mm L

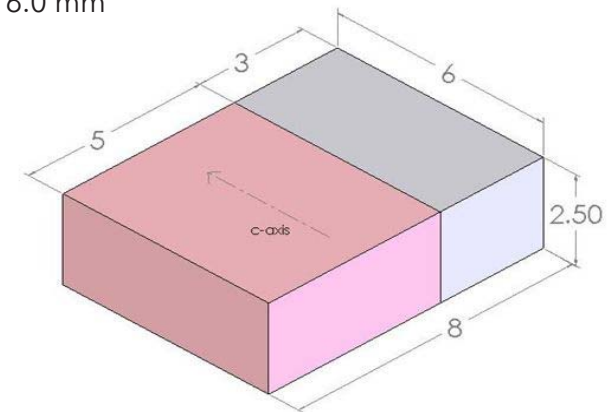
End-Face Configuration Flat/Flat

Side Specifications Fine Ground

Quantity Seven

Status In-Stock

COATING None





Phone: (925) 833-1969

Fax: (925) 833-1759

Email: sales@onyxoptics.com

[Visit Our Website](#)

[REQUEST A QUOTE HERE](#)

NAVIGATE TO:

[YAG](#)

[YVO4](#)

[YLF](#)

[YALO](#)

[MISC.](#)

YVO4 | Slabs

Part #040233

AFB® 0.3% Nd:YVO4 Slab | 2.5 mm x 2.5 mm x 14.0 mm L

SPECIFICATIONS Consisting of 0.3% Nd:YVO4, 2.5 mm x 2.5 mm x 8.0 mm L, with undoped YVO4 of 2.5 mm x 2.5 mm x 3.0 mm L bonded to both ends.

Dopant Type, Concentration 0.3% Nd:YVO4

Cross-section (mm) 2.5 mm x 2.5 mm

Length (mm) 14.0 mm L

Doped Length (mm) 8.0 mm L

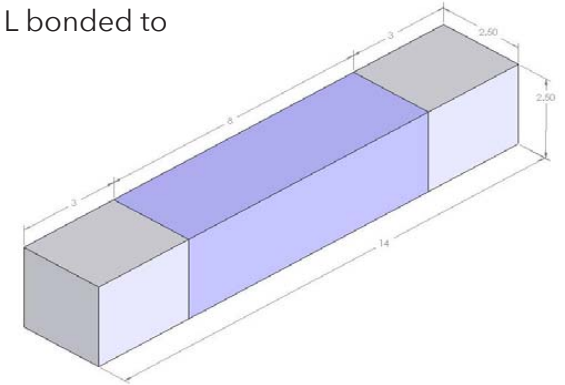
Undoped Length 3.0 mm L (x 2)

End-Face Configuration Polished to <10 sec.

Side Specifications Fine ground

Quantity Three

Status In-Stock



COATING Both 2.5 mm x 2.5 mm end faces AR @ 1064nm and 808nm

Part #040241

AFB® 0.3% Nd:YVO4 Laser Slab | 2.0mm x 2.0mm x 10.0mm

SPECIFICATIONS Consisting of 0.3% Nd:YVO4, 2.0 mm x 2.0 mm x 6.0 mm L, with undoped YVO4 of 2.0 mm x 2.0 mm x 2.0 mm L bonded to both ends.

Dopant Type, Concentration 0.3% Nd:YVO4

Cross-Section (mm) 2.0 mm x 2.0 mm

Length (mm) 10.0 mm L

Doped Length (mm) 6.0 mm L

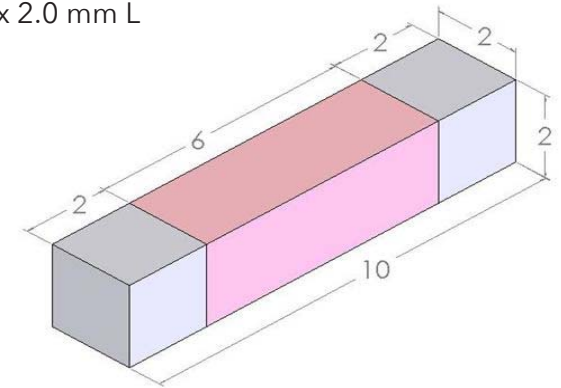
Undoped Length 2.0 mm L (x2)

End-Face Configuration Flat/Flat

Side Specifications Fine ground

Quantity Five

Status In-Stock



COATING Both ends R<0.1% @ 1064nm, R<3.0% @ 808nm



Phone: (925) 833-1969

Fax: (925) 833-1759

Email: sales@onyxoptics.com

[Visit Our Website](#)

[REQUEST A QUOTE HERE](#)

NAVIGATE TO:

[YAG](#)

[YVO4](#)

[YLF](#)

[YALO](#)

[MISC.](#)

YVO4 | Slabs

Part #040248

AFB® 0.3% Nd:YVO4 / Undoped YVO4 Laser Slab | 5.0mm x 5.0mm x 10.0mm

SPECIFICATIONS Consisting of 0.3% Nd:YVO4, 5.0mm x 5.0mm x 6.0mm, with undoped YVO4 of 5.0mm x 5.0mm x 2.0mm AFB'd to both ends.

Dopant Type, Concentration 0.3% Nd:YVO4

Cross-Section (mm) 5.0mm x 5.0mm

Length (mm) 10.0 mm L

Doped Length (mm) 6.0 mm

Undoped Length 2.0 mm L (x2)

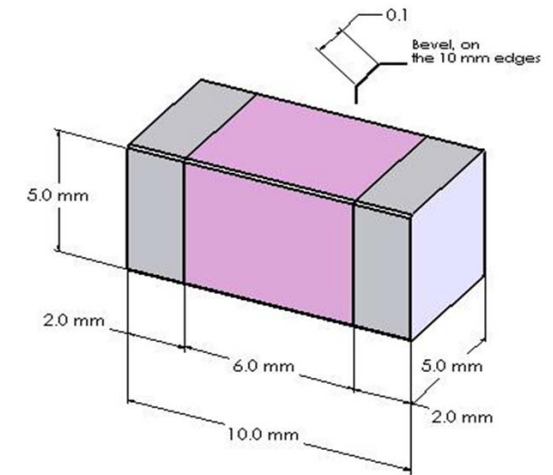
End-Face Configuration Flat/Flat

Side Specifications Fine ground

Quantity One

Status In-Stock

COATING None



Part #040259

AFB® 0.2% Nd:YVO4 Laser Slab | 2.5mm x 6.0mm x 8.0mm L

SPECIFICATIONS Consisting of 0.2% Nd:YVO4, 2.5mm x 6.0mm x 5.0mm L, with undoped YVO4 of 2.5mm x 6.0mm x 3.0mm L bonded to one end.

Dopant Type, Concentration: 0.2% Nd:YVO4

Cross-Section (mm): 2.5mm x 6.0mm

Length (mm): 8.0 mm L

Doped Length: (mm) 5.0 mm L

Undoped Length: 3.0 mm L

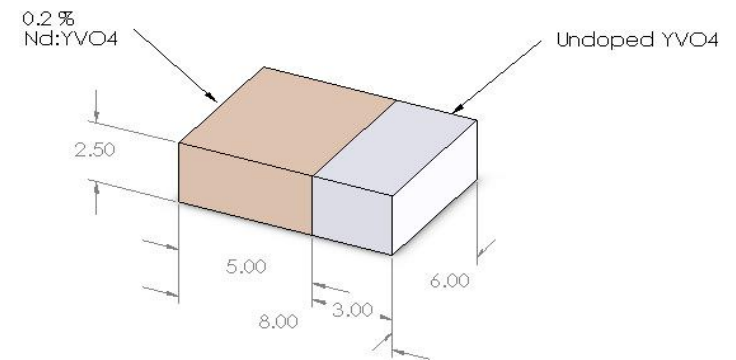
End-Face Configuration: Polished to <30 sec.

Side Specifications: Fine ground

Quantity: Ten

Status: In-Stock

COATING None





Phone: (925) 833-1969

Fax: (925) 833-1759

Email: sales@onyxoptics.com

[Visit Our Website](#)

[REQUEST A QUOTE HERE](#)

NAVIGATE TO:

[YAG](#)

[YVO4](#)

[YLF](#)

[YALO](#)

[MISC.](#)

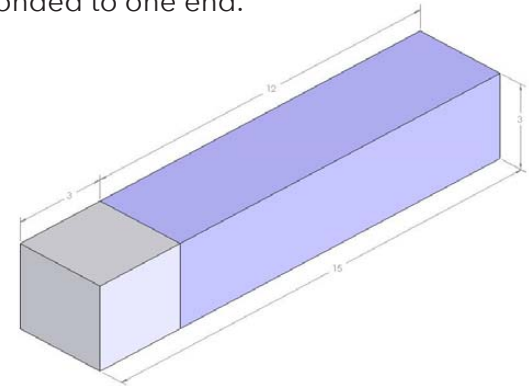
YVO4 | Slabs

Part #040289

AFB® 0.6% Nd:YVO4 Slab | 3.0 mm x 3.0 mm x 15.0 mm L

SPECIFICATIONS Consisting of 0.6% Nd:YVO4, 3.0 mm x 3.0 mm x 12.0 mm L, with undoped YVO4 of 3.0 mm x 3.0 mm x 3.0 mm L bonded to one end.

Dopant Type, Concentration 0.6% Nd:YVO4
Cross-section (mm) 3.0 mm x 3.0 mm
Length (mm) 15.0 mm L
Doped Length (mm) 12.0 mm L
Undoped Length 3.0 mm L
End-Face Configuration Polished to <30 sec.
Side Specifications Fine ground
Quantity One
Status In-Stock



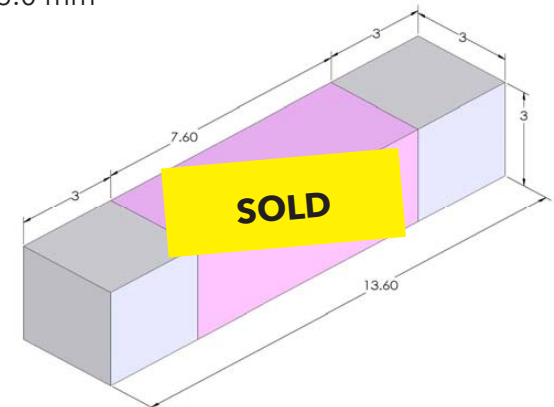
COATING Both 3.0 mm x 3.0 mm end faces R<0.15% @ 1064nm and R<3.0% @ 880nm

Part #040299

AFB® 0.3% Nd:YVO4 / Undoped YVO4
Laser Slab | 3.0 mm x 3.0 mm x 13.6 mm

SPECIFICATIONS Consisting of 0.3% Nd:YVO4, 3.0 mm x 3.0 mm x 7.6 mm, with undoped YVO4 of 3.0 mm x 3.0 mm x 3.0 mm bonded to both ends.

Dopant Type, Concentration 0.3% Nd:YVO4
Cross-Section (mm) 3.0 mm x 3.0 mm
Length (mm) 13.6 mm L
Doped Length (mm) 7.6 mm
Undoped Length 3.0 mm L (x2)
End-Face Configuration Polished to <30 sec.
Side Specifications Fine ground
Quantity One
Status In-Stock



COATING None



Phone: (925) 833-1969

Fax: (925) 833-1759

Email: sales@onyxoptics.com

[Visit Our Website](#)

[REQUEST A QUOTE HERE](#)

NAVIGATE TO:

[YAG](#)

[YVO4](#)

[YLF](#)

[YALO](#)

[MISC.](#)

YVO4 | Slabs

Part #040310

AFB® 0.3% Nd:YVO4 Laser Slab | 3.0 mm x 3.0 mm x 13.8 mm L

SPECIFICATIONS Consisting of 0.3% Nd:YVO4, 3.0 mm x 3.0 mm x 7.8 mm L, with undoped YVO4 of 3.0 mm x 3.0 mm x 3.0 mm L bonded to both ends.

Dopant Type, Concentration 0.3% Nd:YVO4

Cross-Section (mm) 3.0 mm x 3.0 mm

Length (mm) 13.8 mm L

Doped Length (mm) 7.8 mm L

Undoped Length (x 2) 3.0 mm L

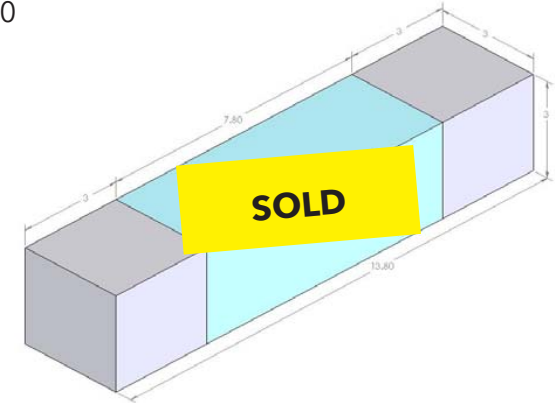
End-Face Configuration Polished to <60 sec.

Side Specifications Fine ground

Quantity Two

Status In-Stock

COATING None



Part #040313

AFB® 0.3% Nd:YVO4 Laser Slab | 3.0 mm x 3.0 mm x 10.0 mm L

SPECIFICATIONS Consisting of 0.3% Nd:YVO4, 3.0 mm x 3.0 mm x 8.0 mm L, with undoped YVO4 of 3.0 mm x 3.0 mm x 2.0 mm L bonded to one ends.

Dopant Type, Concentration 0.3% Nd:YVO4

Cross-Section (mm) 3.0 mm x 3.0 mm

Length (mm) 10.0 mm L

Doped Length (mm) 8.0 mm L

Undoped Length 2.0 mm L

End-Face Configuration Polished to <30 sec.

Side Specifications Fine ground

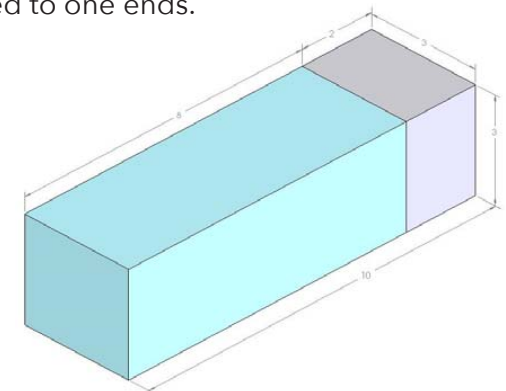
Quantity Two

Status In-Stock

COATING

Nd:YVO4 end: R<0.2% @ 1064nm

U:YVO4 end: R<0.2% @ 1064nm and R<0.5% @ 808nm





Phone: (925) 833-1969

Fax: (925) 833-1759

Email: sales@onyxoptics.com

[Visit Our Website](#)

[REQUEST A QUOTE HERE](#)

NAVIGATE TO:

[YAG](#)

[YVO4](#)

[YLF](#)

[YALO](#)

[MISC.](#)

YVO4 | Slabs

Part #040314

AFB® 0.2% Nd:YVO4 Laser Slab | 3.0 mm x 3.0 mm x 12.0 mm L

SPECIFICATIONS Consisting of 0.2% Nd:YVO4, 3.0 mm x 3.0 mm x 10.0 mm L, with undoped YVO4 of 3.0 mm x 3.0 mm x 2.0 mm L bonded to one ends.

Dopant Type, Concentration 0.2% Nd:YVO4

Cross-Section (mm) 3.0 mm x 3.0 mm

Length (mm) 12.0 mm L

Doped Length (mm) 10.0 mm L

Undoped Length 2.0 mm L

End-Face Configuration Polished to <10 sec.

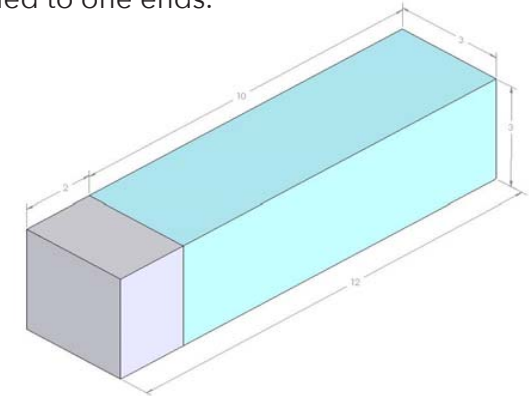
Side Specifications Fine ground

Quantity One

Status In-Stock

COATING

Both ends AR coated at 1064nm and 808nm



Part #040317

AFB® 0.3% Nd:YVO4 Laser Slab | 3.0 mm x 3.0 mm x 10.0 mm L

SPECIFICATIONS Consisting of 0.3% Nd:YVO4, 3.0 mm x 3.0 mm x 8.0 mm L, with undoped YVO4 of 3.0 mm x 3.0 mm x 2.0 mm L bonded to one end.

Dopant Type, Concentration 0.3% Nd:YVO4

Cross-Section (mm) 3.0 mm x 3.0 mm

Length (mm) 10.0 mm L

Doped Length (mm) 8.0 mm L

Undoped Length 2.0 mm L

End-Face Configuration Polished to <60 sec.

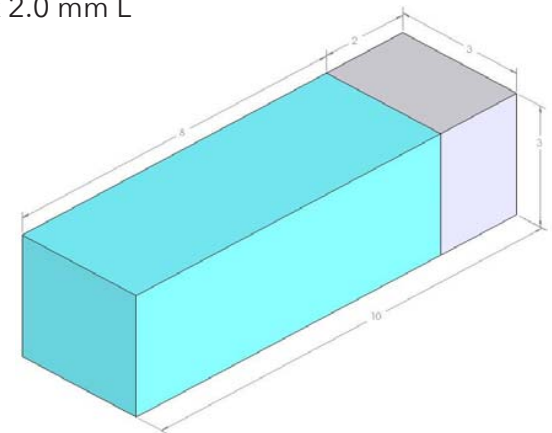
Side Specifications Fine ground

Quantity Five

Status In-Stock

COATING

Both ends R<0.1% @ 1064nm and 808nm





Phone: (925) 833-1969

Fax: (925) 833-1759

Email: sales@onyxoptics.com

[Visit Our Website](#)

[REQUEST A QUOTE HERE](#)

NAVIGATE TO:

[YAG](#)

[YVO4](#)

[YLF](#)

[YALO](#)

[MISC.](#)

YLF | Rods

Part #040182

AFB® Th:YLF Laser Rod | 4 mm dia. x 52 mm L

SPECIFICATIONS Consisting of Th:YLF, 4.0 mm dia. x 20 mm L, with YLF of 4.0 mm dia. x 16 mm L bonded to both ends.

Dopant Type, Concentration 6% Tm, 0.4% Ho

Cross-Section (mm) 4 mm dia.

Length (mm) 52 mm L

Doped Length (mm) 20 mm L

Undoped Length 16 mm L (x2)

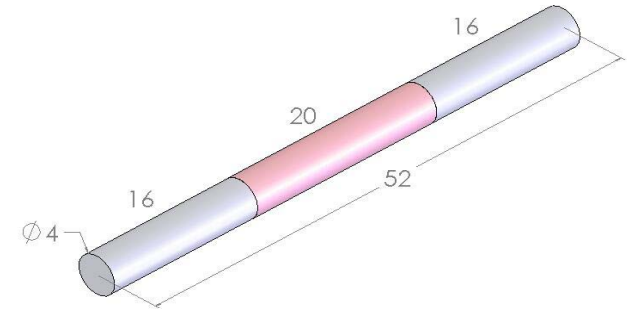
End-Face Configuration Flat/Flat

Side Specifications Inspection Polished

Quantity One

Status In-Stock

COATING None



Part #040222

AFB® 0.5% Nd:YLF Laser Rod | 6.35 mm dia. x 20 mm L

SPECIFICATIONS Consisting of 0.5% Nd:YLF, 6.35 mm dia. x 14 mm L, with undoped YLF of 4.0 mm dia. x 4 mm L bonded to one end.

Dopant Type, Concentration 0.5% Nd:YLF

Cross-Section (mm) 6.35 mm dia.

Length (mm) 20 mm L

Doped Length (mm) 16 mm L

Undoped Length 4 mm L

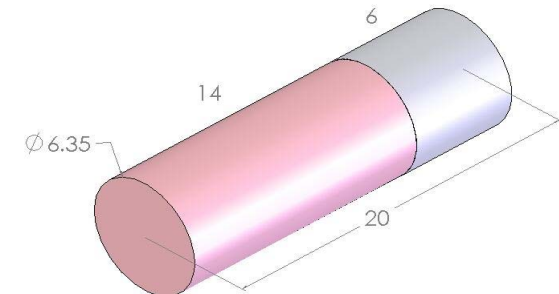
End-Face Configuration Flat/Flat

Side Specifications Fine Ground

Quantity One

Status In-Stock

COATING None





Phone: (925) 833-1969

Fax: (925) 833-1759

Email: sales@onyxoptics.com

[Visit Our Website](#)

[REQUEST A QUOTE HERE](#)

NAVIGATE TO:

[YAG](#)

[YVO4](#)

[YLF](#)

[YALO](#)

[MISC.](#)

YLF | Rods

Part #040255

AFB® Undoped YLF / 3.0% Tm:YLF /
Undoped YLF Rod | 2.5mm dia. x 34.0mm L

SPECIFICATIONS Consisting of 3.0% Tm:YLF, 2.5mm dia. x 30.0mm L,
with undoped YLF of 2.5mm dia. x 2.0mm L AFB'd to both ends.

Dopant Type, Concentration: 3.0% Tm:YLF

Cross-Section (mm): 2.5mm dia.

Length (mm): 34.0 mm L

Nd Length (mm): 30.0 mm

Undoped Length: 2.0 mm L (x 2)

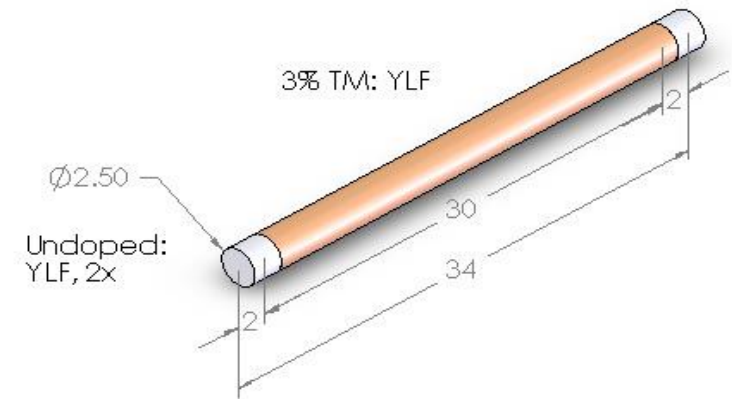
End-Face Configuration: Parallel to <60 sec.

Side Specifications: Inspection polished

Quantity: One

Status: In-Stock

COATING None





Phone: (925) 833-1969

Fax: (925) 833-1759

Email: sales@onyxoptics.com

[Visit Our Website](#)

[REQUEST A QUOTE HERE](#)

NAVIGATE TO:

[YAG](#)

[YVO4](#)

[YLF](#)

[YALO](#)

[MISC.](#)

YALO | Rods

Part #040240

AFB® 3.0% Tm:YALO Laser Rod | 2.40mm dia. x 14.5mm L

SPECIFICATIONS Consisting of 3.0% Tm:YALO, 2.40 mm dia. x 9.50 mm L, with undoped YALO of 2.40 mm dia. x 2.5 mm L bonded to both ends.

Dopant Type, Concentration 3.0% Tm:YALO

Cross-Section (mm) 2.40 mm dia.

Length (mm) 14.5 mm L

Doped Length (mm) 9.50 mm L

Undoped Length 2.50 mm L (x2)

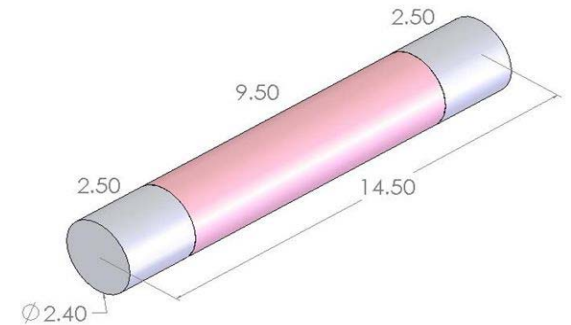
End-Face Configuration Flat/Flat

Side Specifications Fine ground

Quantity One

Status In-Stock

COATING Both ends $R < 0.1\%$ @ 1990nm, $AOI = 0^\circ$,
 $R < 1.0\%$ @ 795nm, $AOI = 0.0 \pm 12.5^\circ$





Phone: (925) 833-1969

Fax: (925) 833-1759

Email: sales@onyxoptics.com

[Visit Our Website](#)

[REQUEST A QUOTE HERE](#)

NAVIGATE TO:

[YAG](#)

[YVO4](#)

[YLF](#)

[YALO](#)

[MISC.](#)

MISC | Rods

Part #040309

Fused Silica Tube | 7.85 mm dia. x 14.5 mm L

SPECIFICATIONS Consisting of fused silica, 7.85 mm dia. (6.0 mm inner dia.) x 14.5 mm L.

Material Fused silica

Diameter (mm) 7.85 mm outer diameter; 6.0 mm inner diameter

Length (mm) 14.5 mm L

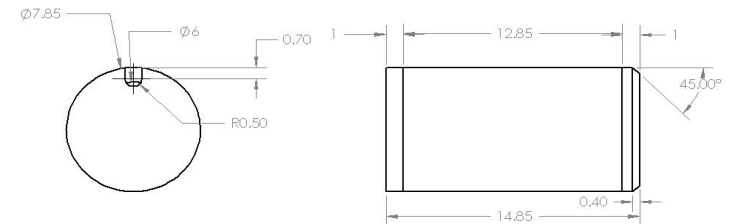
End-Face Configuration Polished

Barrel Specifications Inspection polished

Quantity One

Status In-Stock

COATING None





Phone: (925) 833-1969

Fax: (925) 833-1759

Email: sales@onyxoptics.com

[Visit Our Website](#)

[REQUEST A QUOTE HERE](#)

NAVIGATE TO:

[YAG](#)

[YVO4](#)

[YLF](#)

[YALO](#)

[MISC.](#)

MISC | Slabs

Part #040287

AFB® KTP Slab | 5.0mm x 5.0mm x 20.0mm

SPECIFICATIONS Consisting of KTP, 5.0mm x 5.0mm x 10.0mm, with KTP of 5.0mm x 5.0mm x 10mm bonded to each 5.0mm x 5.0mm face.

Dopant Type, Concentration KTP, $\theta = 51.4^\circ \pm 0.5^\circ$, $\Phi = 0^\circ \pm 0.5^\circ$

Cross-Section (mm) 5.0 mm x 5.0 mm

Length (mm) 20.0 mm L

End-Face Configuration Parallel to <20 sec.

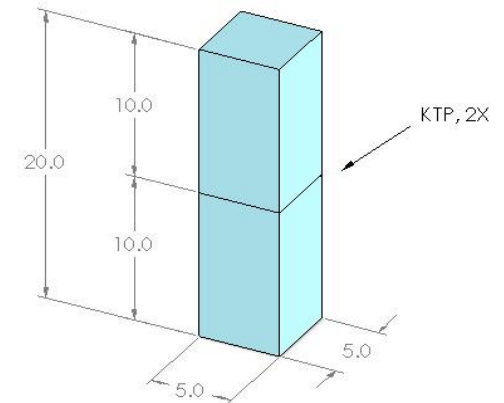
Side Specifications Fine ground

Quantity Two

Status In-Stock

COATING

End faces (5.0mm x 5.0mm): R<0.2% @ 1064nm and 2128nm



Part #040306

Fused Silica Pentagon Prism | 5-10 mm x 5-10 mm x ~12 mm

SPECIFICATIONS Consisting of a fused silica pentagon prism, 5-10 mm x 5-10 mm x ~12 mm; prism angles 20.33°.

Material Fused silica

Two angled & back surfaces Polished

Remaining surfaces Fine ground

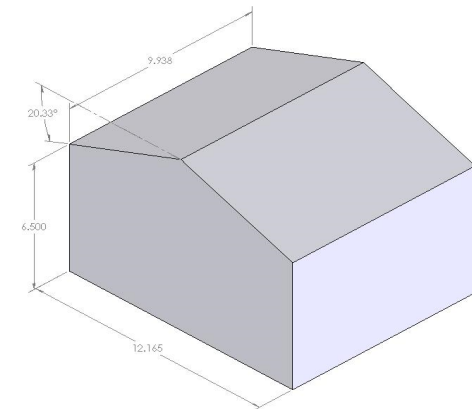
Quantity One

Status In-Stock

COATING

Wedged surfaces: AR @ 1064nm, 30° AOI

Hypotenuse: R=90% @ 1064nm, 0° AOI





Phone: (925) 833-1969

Fax: (925) 833-1759

Email: sales@onyxoptics.com

[Visit Our Website](#)

[REQUEST A QUOTE HERE](#)

NAVIGATE TO:

[YAG](#)

[YVO4](#)

[YLF](#)

[YALO](#)

[MISC.](#)

MISC | Slabs

Part #040307

Fused Silica Pentagon Prism | 5-10 mm x 5-10 mm x ~12 mm

SPECIFICATIONS Consisting of a fused silica pentagon prism, 5-10 mm x 5-10 mm x ~12 mm; prism angles 13.77°.

Material Fused silica

Two angled & back surfaces Polished

Remaining surfaces Fine ground

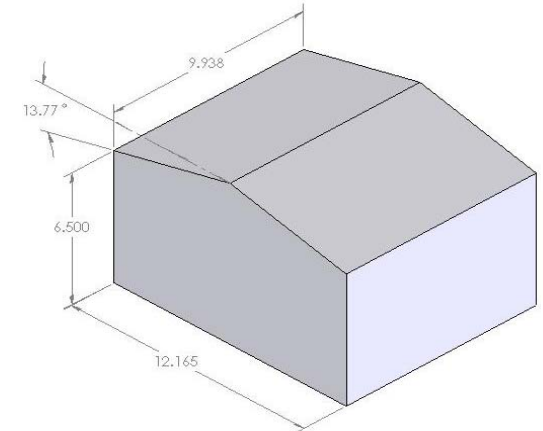
Quantity One

Status In-Stock

COATING

Wedged surfaces: AR @ 1064nm, 30° AOI

Hypotenuse: R=90% @ 1064nm, 0° AOI



Part #040316

AFB® KTP Slab | 4.7 mm x 5.0 mm x 15.0 mm

SPECIFICATIONS Consisting of eight layers of KTP bonded together, each layer 4.7 mm x 5.0 mm x 1.875 mm.

Material KTP, $\theta = 54.3^\circ$, $\Phi = 0^\circ$

Cross-Section (mm) 4.7 mm x 5.0 mm

Length (mm) 15.0 mm L

End-Face Configuration Polished

Side Specifications Fine ground

Quantity One

Status In-Stock

COATING Both end faces (4.7 mm x 5.0 mm): TBAR
R<0.5% @ 1064nm, 1980nm, & 2300nm

