



SP-4200

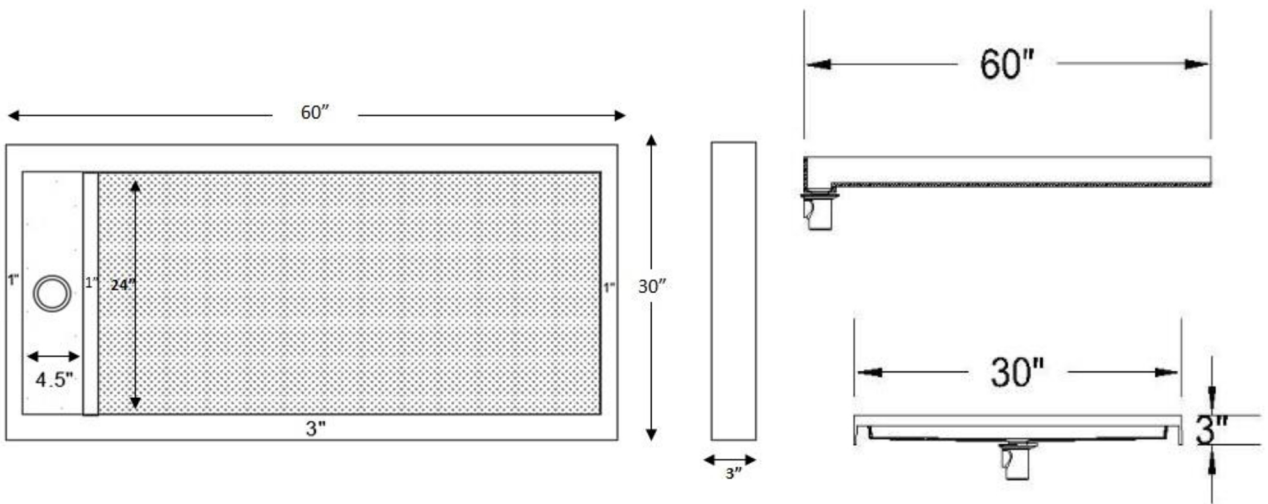


Standard Features:

- Solid one – piece construction.
- Pre leveled rests on subfloor.
- Mold and mildew resistant.
- Bacteria resistant.
- Textured non - slip finish.
- Abrasion resistan gelcoat surface.
- Stainlees steel trench drain cover.

Specifications:

- Size: 30" x 60" size.
- Drain: Center 15-3 ½.
- Trench: 4 ½ width.
- Treshold: 3"



NOTE: In the casting process slight shrinkage in length will occur 1/8" - 1/2"

www.ffeinternational.ca

660 Mgr Dubois, Suite 100, Saint-Jérôme, Québec J7Y 3L8

(450) 990-2002

(450) 432-3383