

January 2014

component racks



enhancing the performance
and style of home entertainment
like no other...

StudioTech™

Contemporary Entertainment
Center Furniture



ps

performance series

Performance Series Component Racks offer great styling, excellent rigidity and performance.

- Elegant steel frame design offers strength and style.
- Available in all black or black with silver frame.



PS-4 component rack
(Shown here in black with black shelves)

PS-4 B/S black/silver
PS-4 B/B black/black

PS-3 A/V component rack
(Shown here in black with black shelves)

PS-3 B/S black/silver
PS-3 B/B black/black

PS-6 component rack
(Shown here in silver with black shelves)

PS-6 B/S black/silver
PS-6 B/B black/black



PS-33 A/V component rack
(Shown here in silver with black shelves)

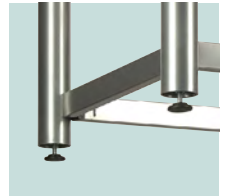
PS-33 B/S black/silver
PS-33 B/B black/black
accommodates televisions up to 60"



back view



side view



vinyl glides included



carpet spikes included



optional rolling casters

h
f
s e r i e s

Shown here with
removable back panels

high fidelity™
series

Where economy meets style.

For the enthusiast who prefers a compact, rigid rack system:

- Rigid all steel legs provide excellent stability.
- Unique cable management system organizes wires.
- Assembles in minutes. No tools required.
- Available in black with black or silver legs.
- Removable back panels to hide wires and cables.
- Expandable shelf height.
- racks ship with tubing as shown but racks can come with any combination of tubes 7", 9", 11" through special order.



HF-4 component rack

HF-4 B/S black/silver
HF-4 B/B black/black



Back panels are included
in all racks.

HF-3 A/V component rack

HF-3 B/S black/silver
HF-3 B/B black/black

accommodates televisions up to 50"



Center pillar can be recessed to accommodate
center channel speakers.



modular feature:

Optional shelf kits available for expansion.
7", 9" or 11" leg length in black or silver finish

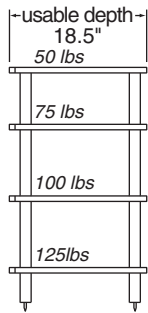


HF-33 A/V component rack

HF-33 B/S black/silver
HF-33 B/B black/black

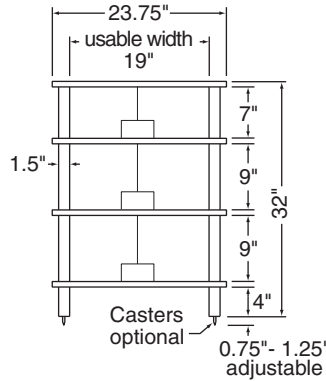
accommodates televisions up to 70"

B HF-4
4 SHELF HIGH FIDELITY COMPONENT RACK



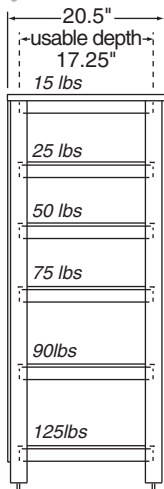
Total weight not to exceed 200 lbs

SIDE VIEW



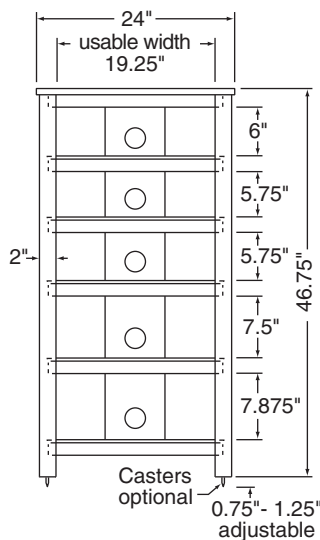
FRONT VIEW

C PS-6
6 SHELF PERFORMANCE COMPONENT RACK



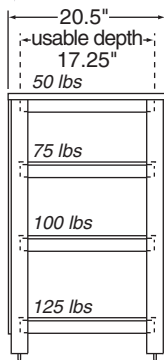
Total weight not to exceed 200 lbs

SIDE VIEW



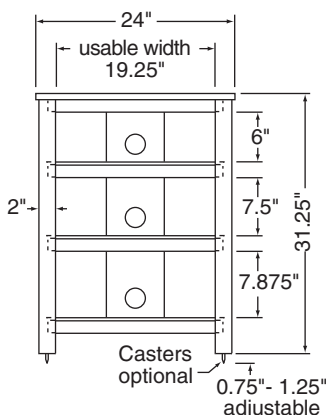
FRONT VIEW

D PS-4
4 SHELF PERFORMANCE COMPONENT RACK



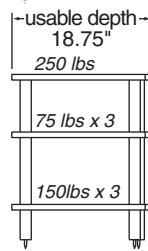
Total weight not to exceed 200 lbs

SIDE VIEW



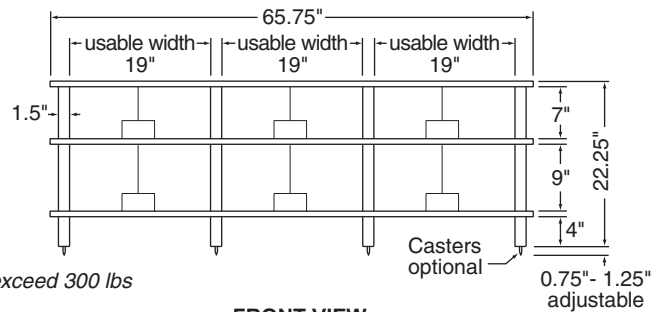
FRONT VIEW

E HF-33
3 SHELF HIGH FIDELITY GLASS A/V COMPONENT RACK



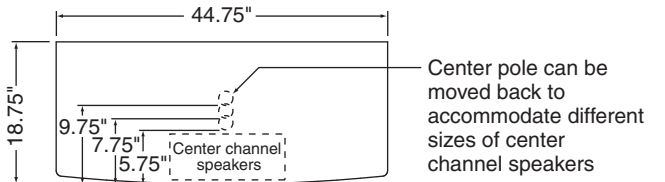
Total weight not to exceed 300 lbs

SIDE VIEW



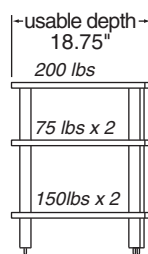
FRONT VIEW

F HF-3
3 SHELF HIGH FIDELITY GLASS A/V COMPONENT RACK



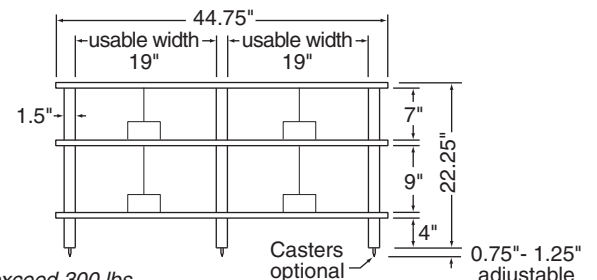
Center pole can be moved back to accommodate different sizes of center channel speakers

TOP VIEW



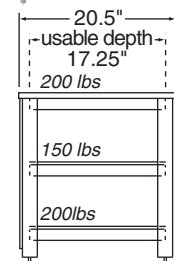
Total weight not to exceed 300 lbs

SIDE VIEW



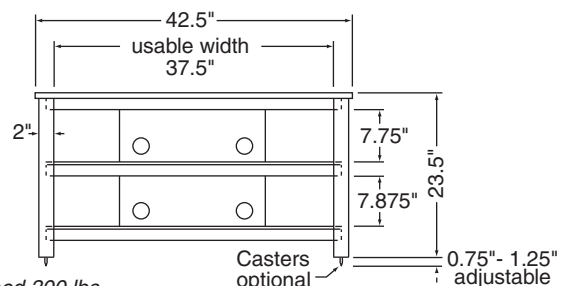
FRONT VIEW

G PS-3
3 SHELF PERFORMANCE A/V COMPONENT RACK



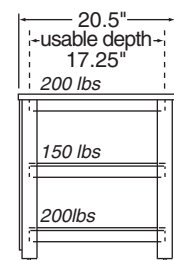
Total weight not to exceed 300 lbs

SIDE VIEW



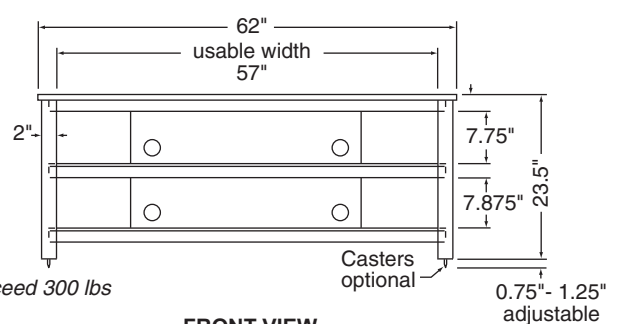
FRONT VIEW

H PS-33
3 SHELF PERFORMANCE A/V COMPONENT RACK



Total weight not to exceed 300 lbs

SIDE VIEW



FRONT VIEW