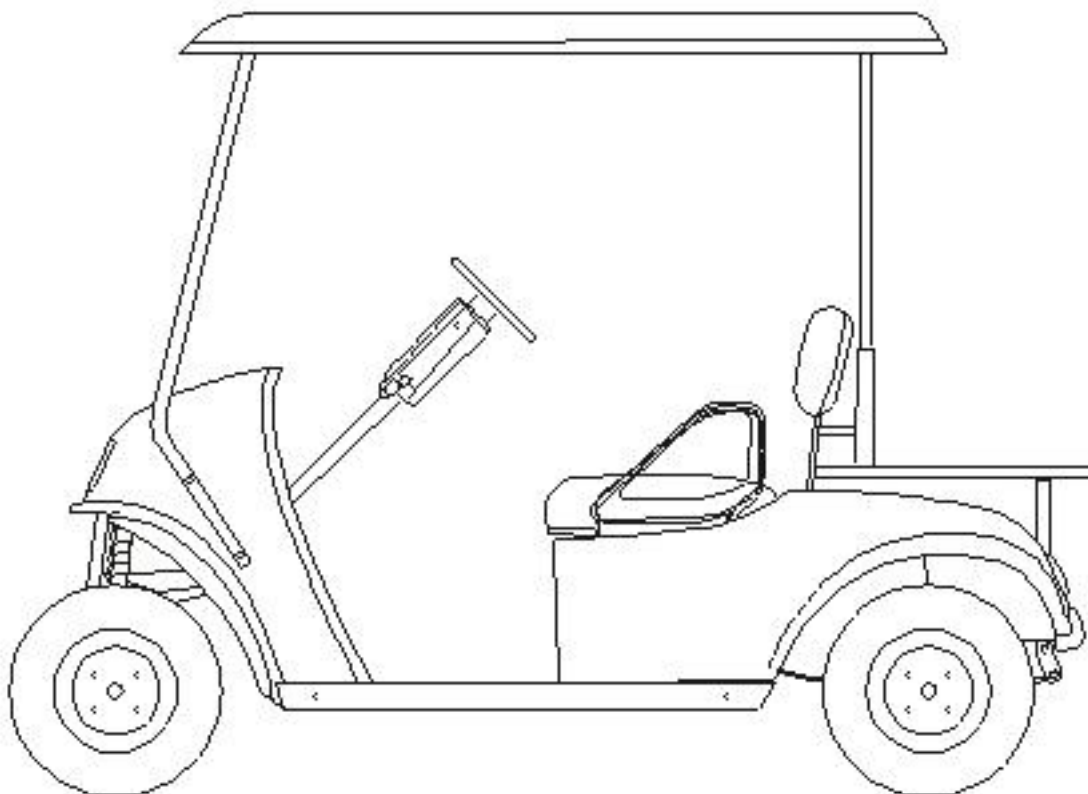
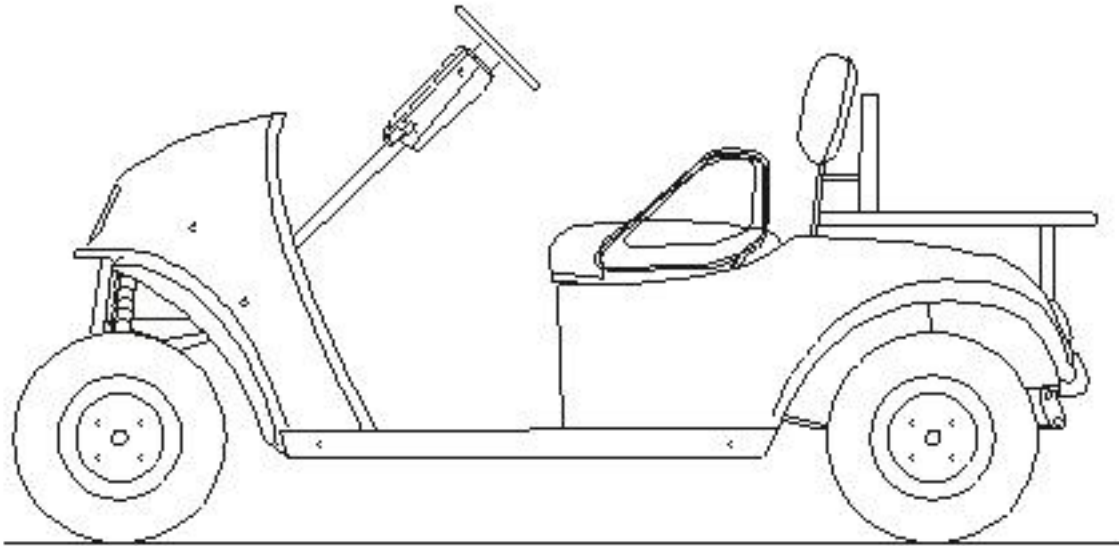


Electrical Vehicle Service Parts Manual

CEV2



Contents

Body

The front cowl, instrument panels, front pedal	5
Front inner cowl, storage boxes	7
Carpets, under floors, under floor openings covered, sideguard	9
Battery frame, seat frame	11
Back mask, mouth covered, the ball package barrels, bumper	13
Wheel covers, chargers installed board	15
+ 2 the rear frame, support	17

Braking

Lamp brake pedal assembly	19
ASSY compensation, brake shaft	21
Brake interlock, adjustable anti-collision block	24
Brake hub, brake shoe, outer hub	26

Electrical device

Controllers, contactors packaging	28
Cooling plate	30
Battery installation and wiring, battery plate	32
Switch panel, speed panel	34
Combination switch, key switch, speaker switch	36
Relay, Flasher	38
Motor	40
Motor install	42

Contents

Dc module.....	44
Speaker.....	46
Headlight.....	48
Tailight.....	50
Front hanging	
Former vice-frame.....	52
Front Suspension.....	54
Arm lower	56
Front Shock Absorber.....	58
Steering Knuckle.....	60
Rear hanging	
Rear spring, rear spring seat, rear axle.....	62
Rear absorber.....	64
Swerve	
The steering columns, the steering wheel.....	66
The direction machine, shift converter.....	68
Horizontal bar, steering knuckle.....	70
Seating and weather protection	
Front nog, rear nog	72
Roof frame	74
Backrest sofa.....	76
Roof.....	78

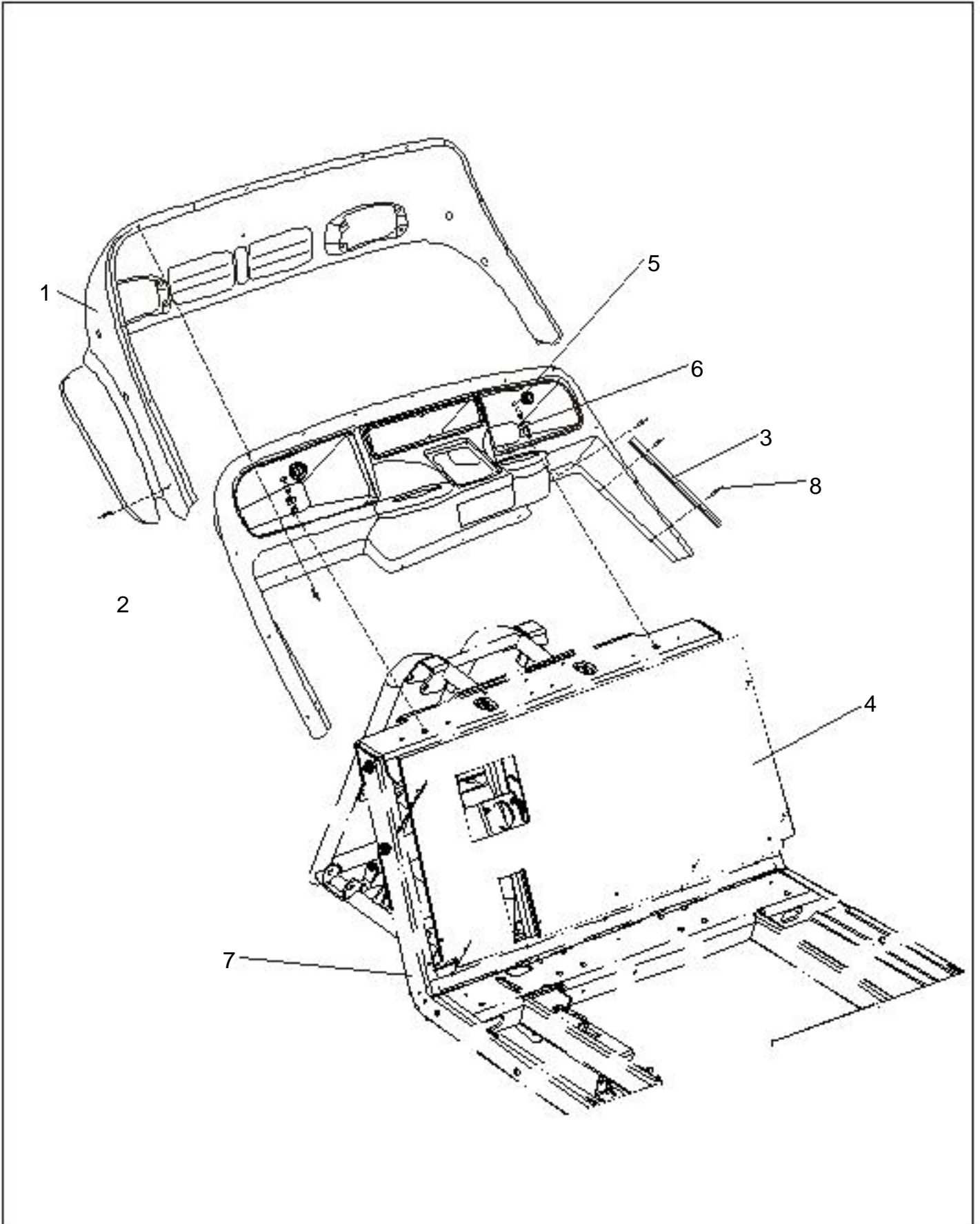
Contents

Seat sofa 80

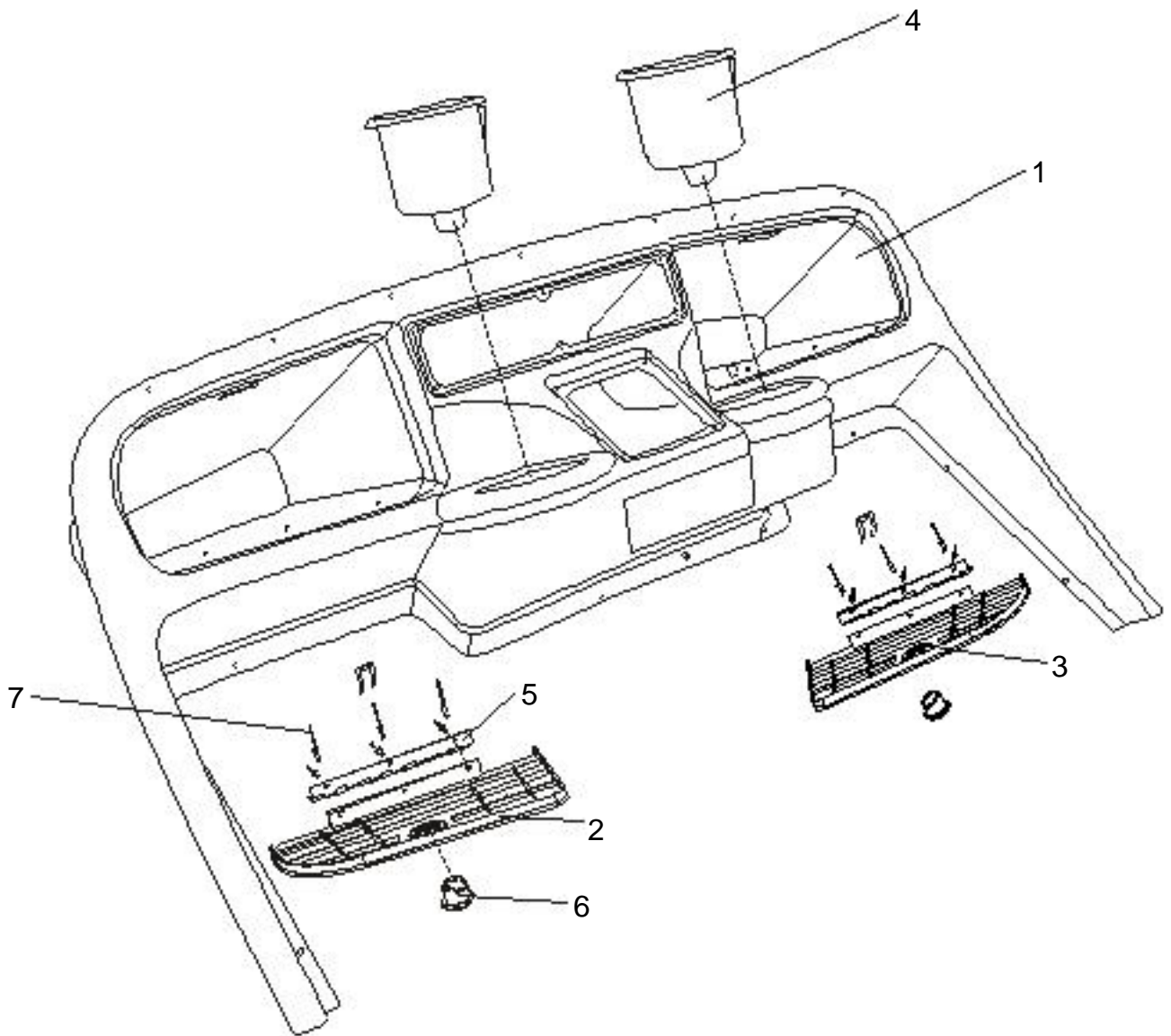
Accelerator 82

84

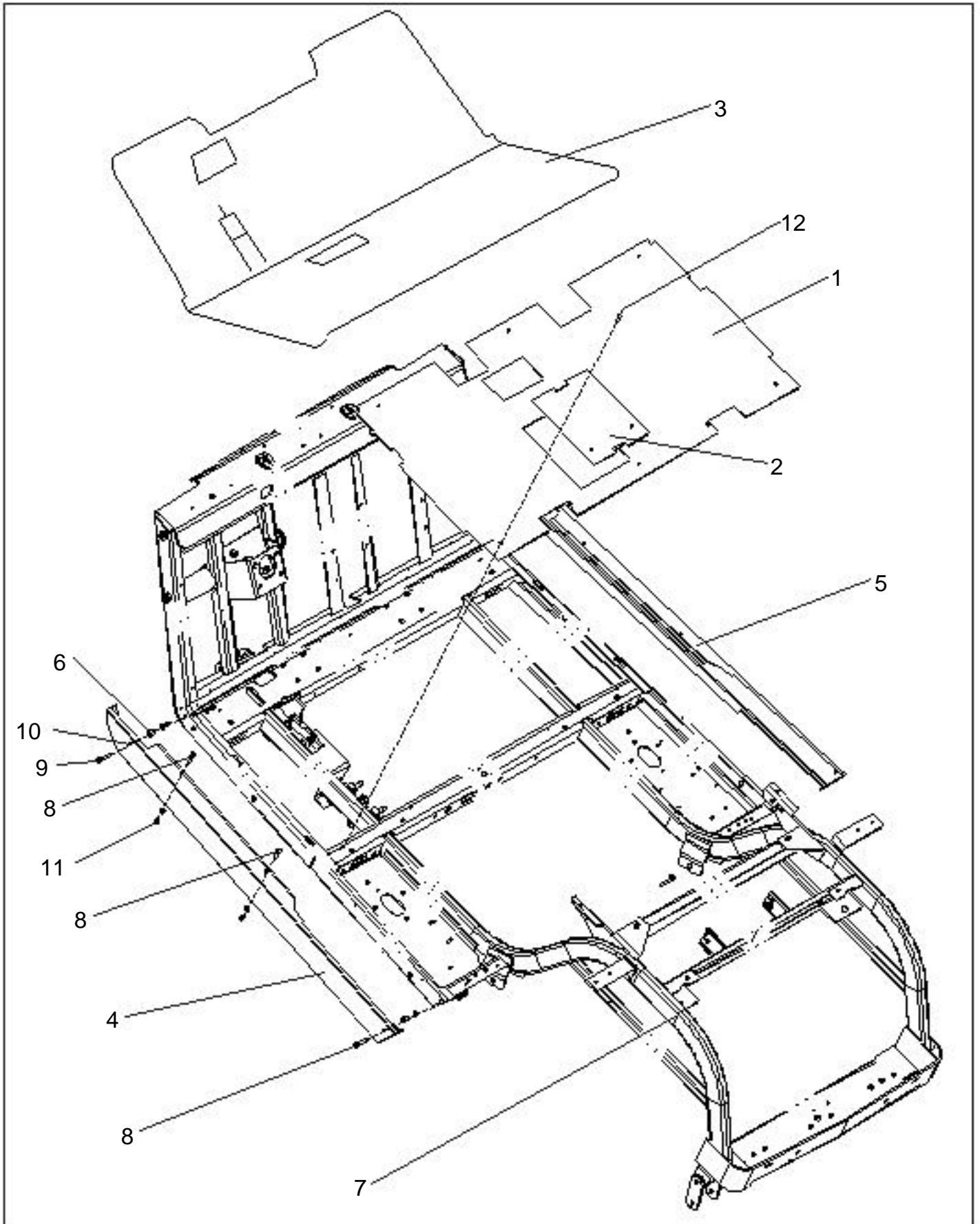
Body



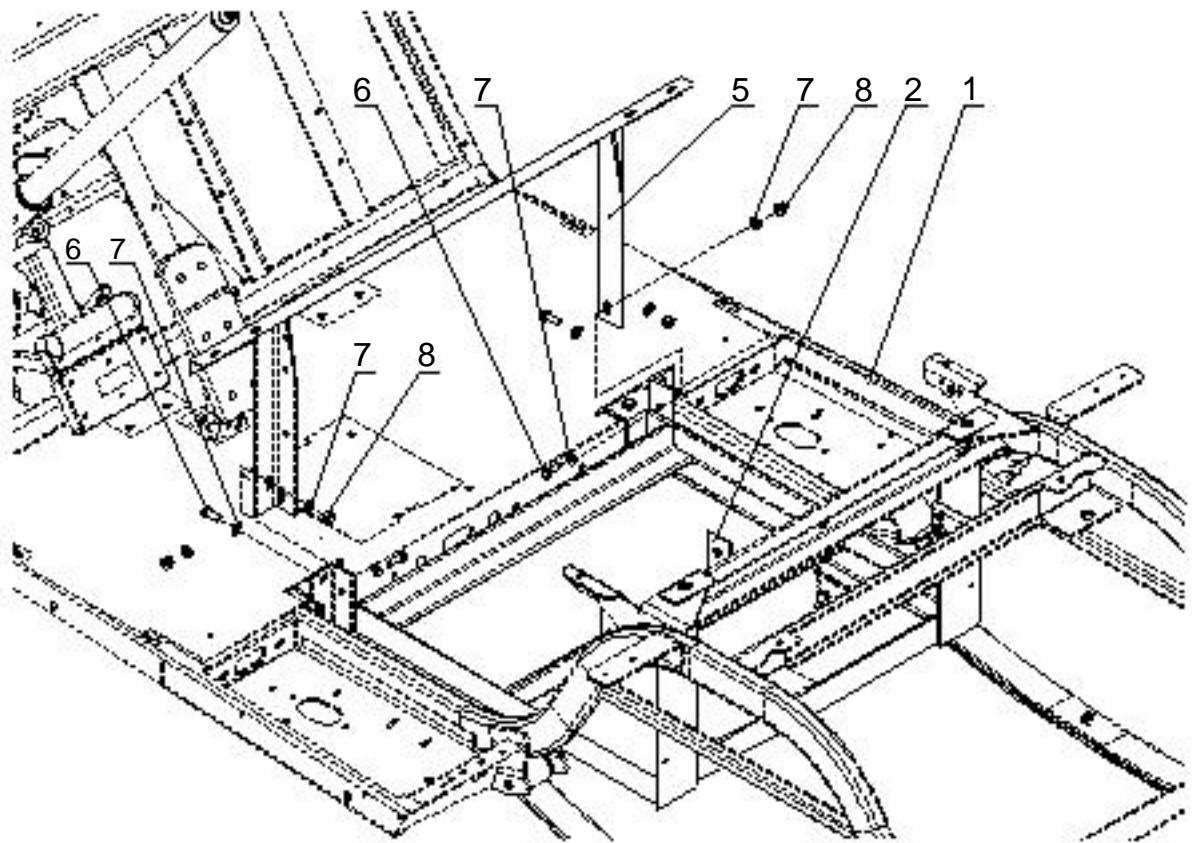
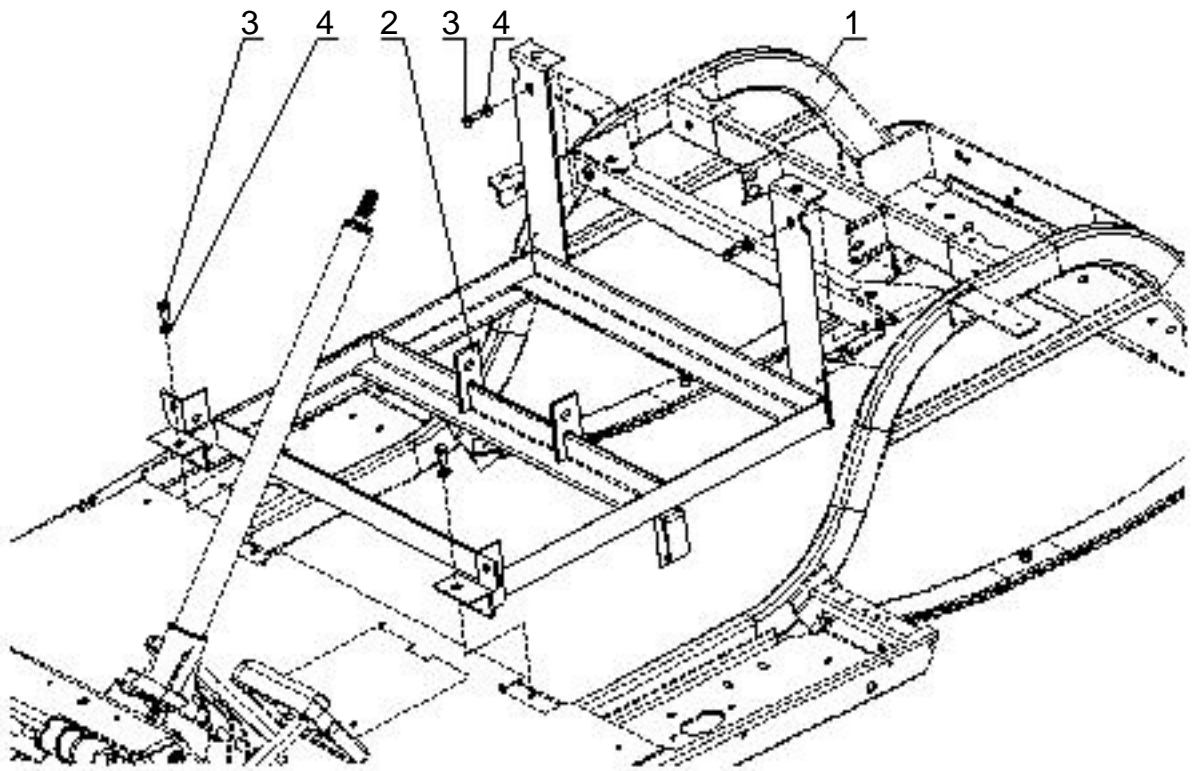
Body



Body



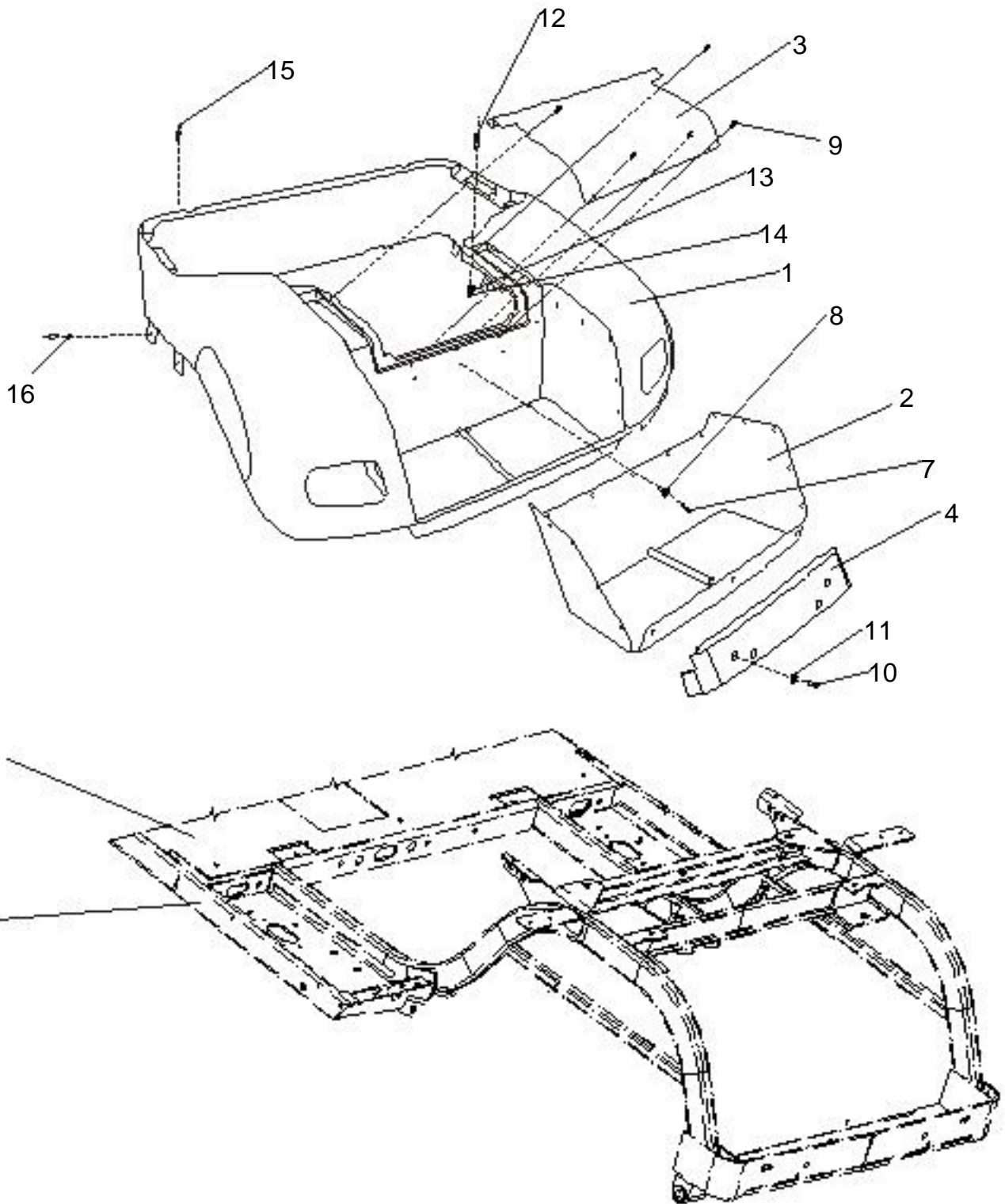
Body



Body

No.	Part #	Name	Amount
1	2.01.040136	Chassis components	1
2	3.01.041982	Battery rack	1
3	GB/T5783 M8×20	Hexagon head bolt	4
4	GB/T97.1 8	Flat washer	4
5	3.01.041665	Seat frame	1
6	GB/T5783 M8×20	Hexagon head bolt	4
7	GB/T97.1 8	Flat washer	8
8	GB/T889 M8	Locking nut	4

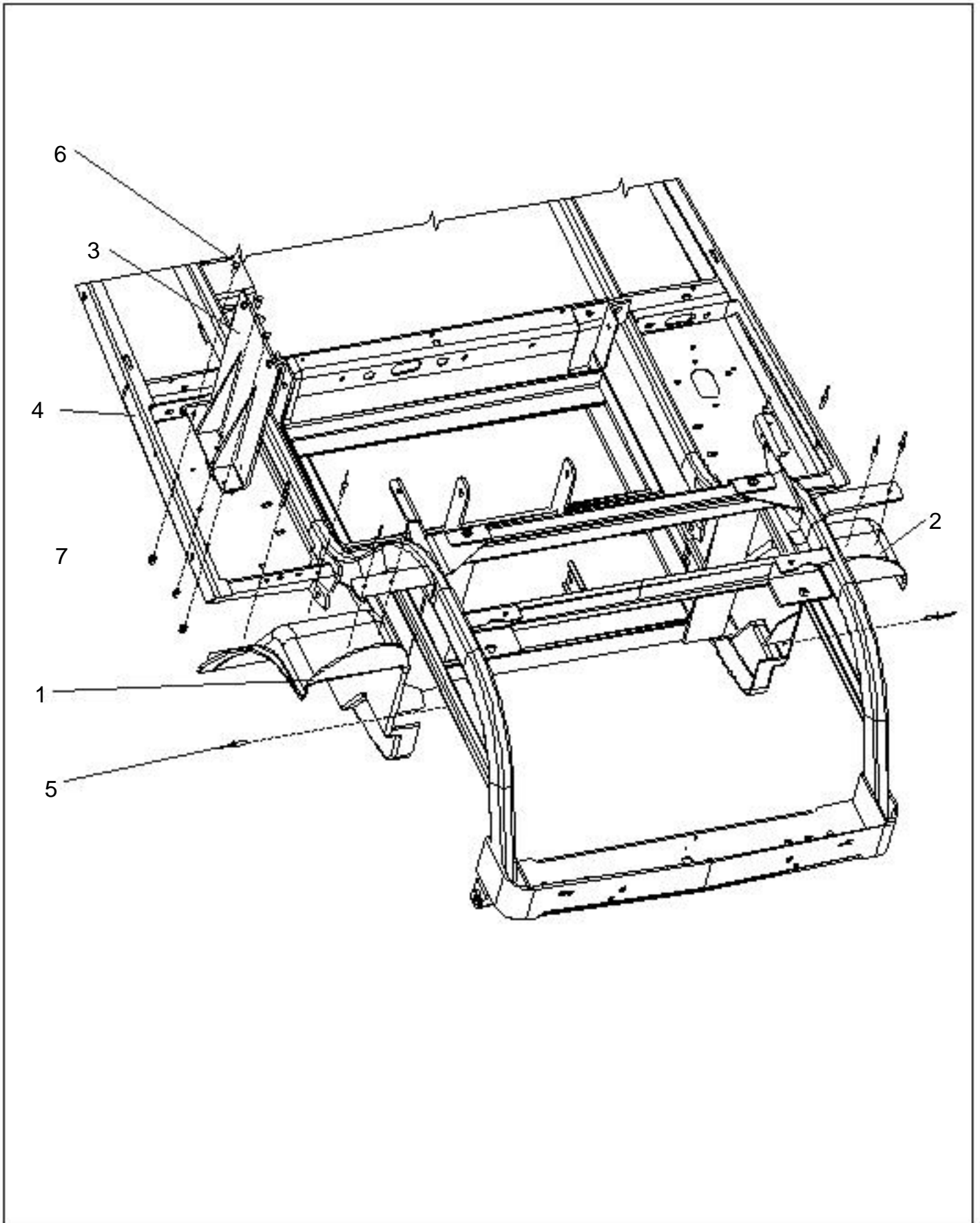
Body



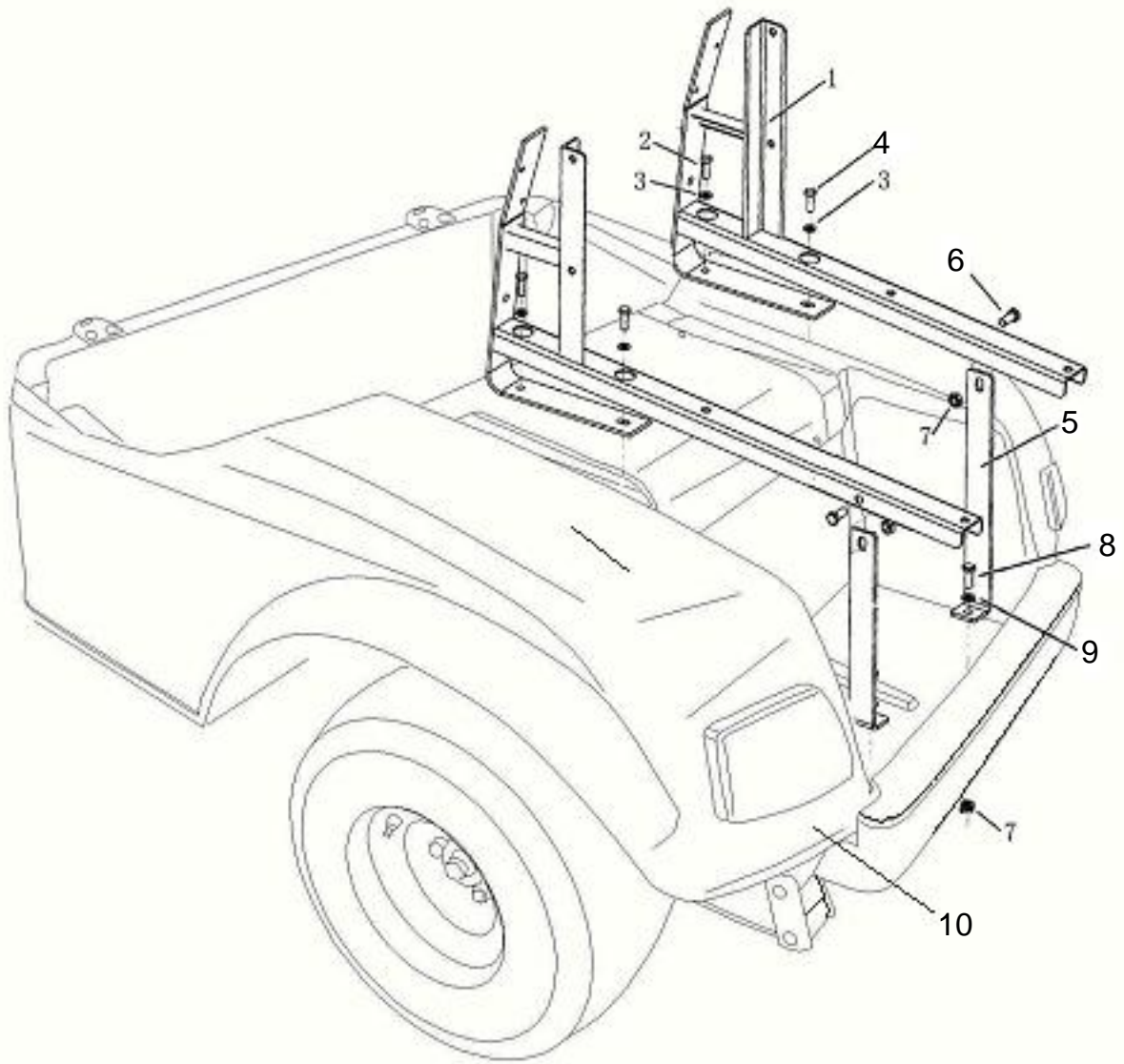
Body

No.	Part #	Name	Amount
1	HEL2-5600001	Rear Cowl	1
2	HEL2-5600002	Bagwell Liner	1
3	HEL2-5600004	Access Panel	1
4	HEL2-0000040	Rear bumper	1
5	2.01.040121	Chassis components	1
6	3.01.041663	Out board	1
7	3.01.040070	Ferrule large plastic nails	18
8	3.01.040071	Large plastic nail coat	18
9	GB/T845 M4.8×16	screw	5
10	GB/T5783 M8×25	Hexagon head bolt	4
11	GB/T96 8	Large pad	4
12	GB/T819.2 M5×25	Cross slot head bolts	2
13	GB/T97.1 5	Flat pad	2
14	GB/T889 M5	Locking nut	2
15	GB/T12618 5×20	Core pulling rivets	9
16	GB/T96 6	Large pad	4

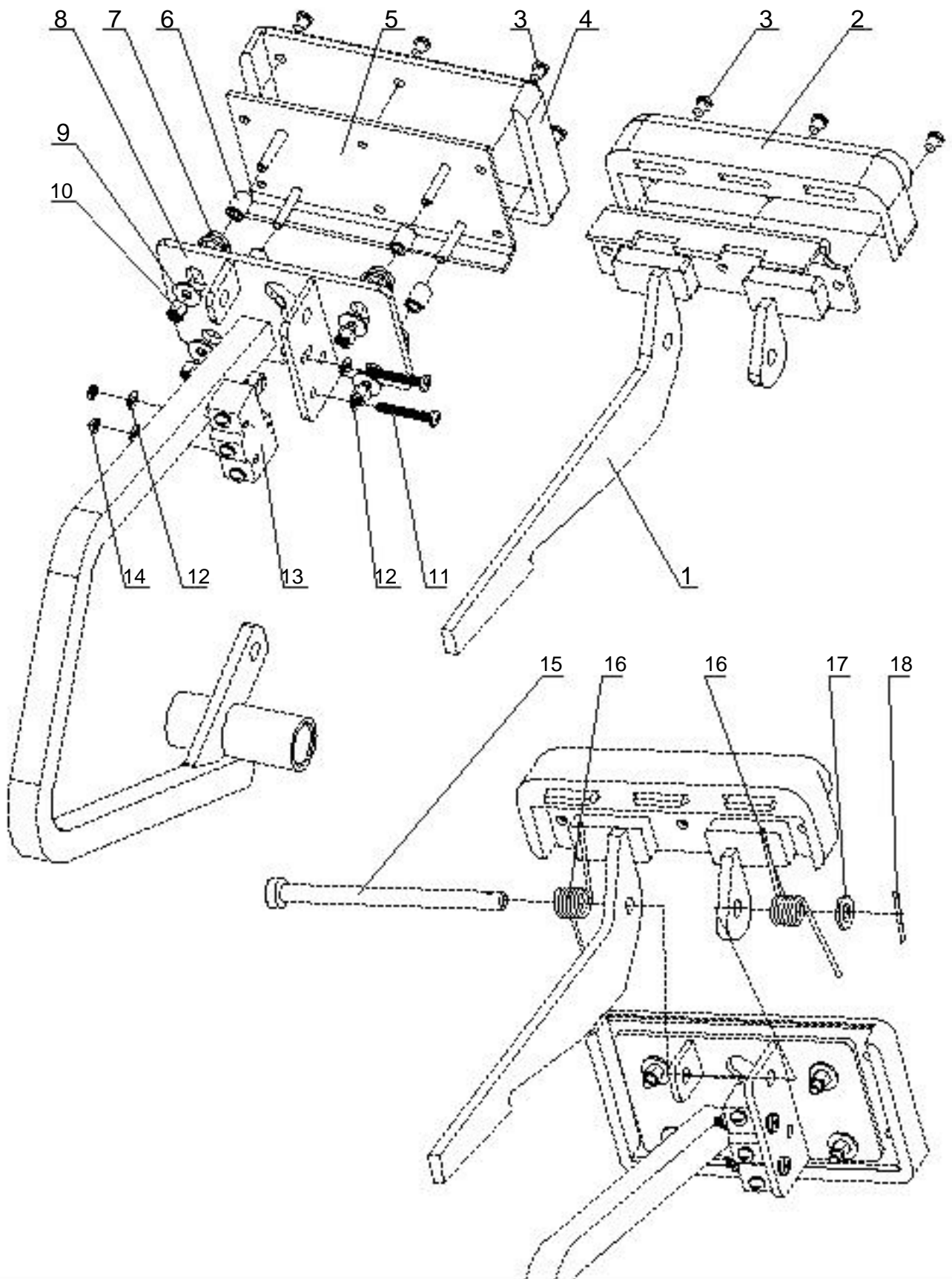
Body



Body



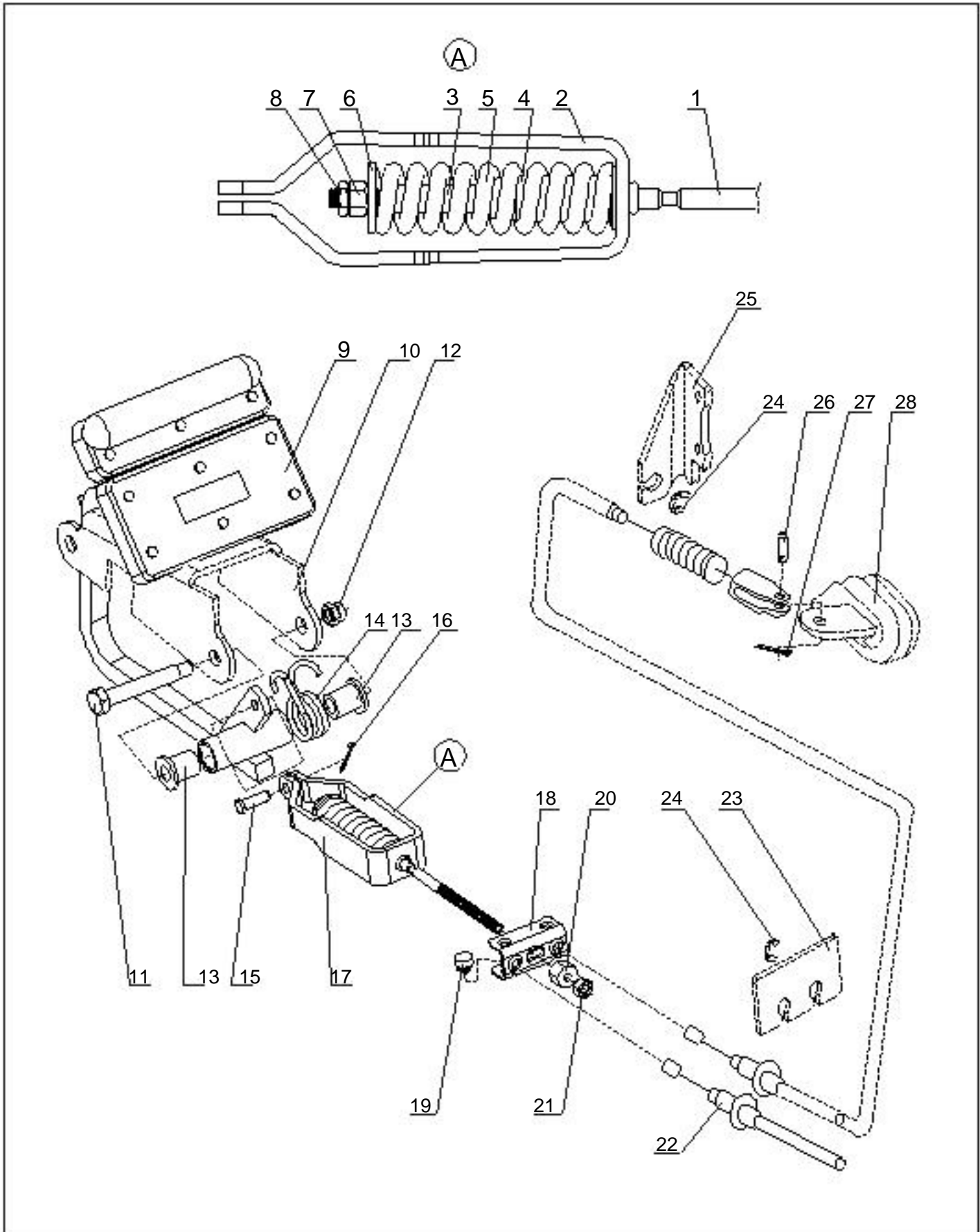
Brakes #1



Brakes #1

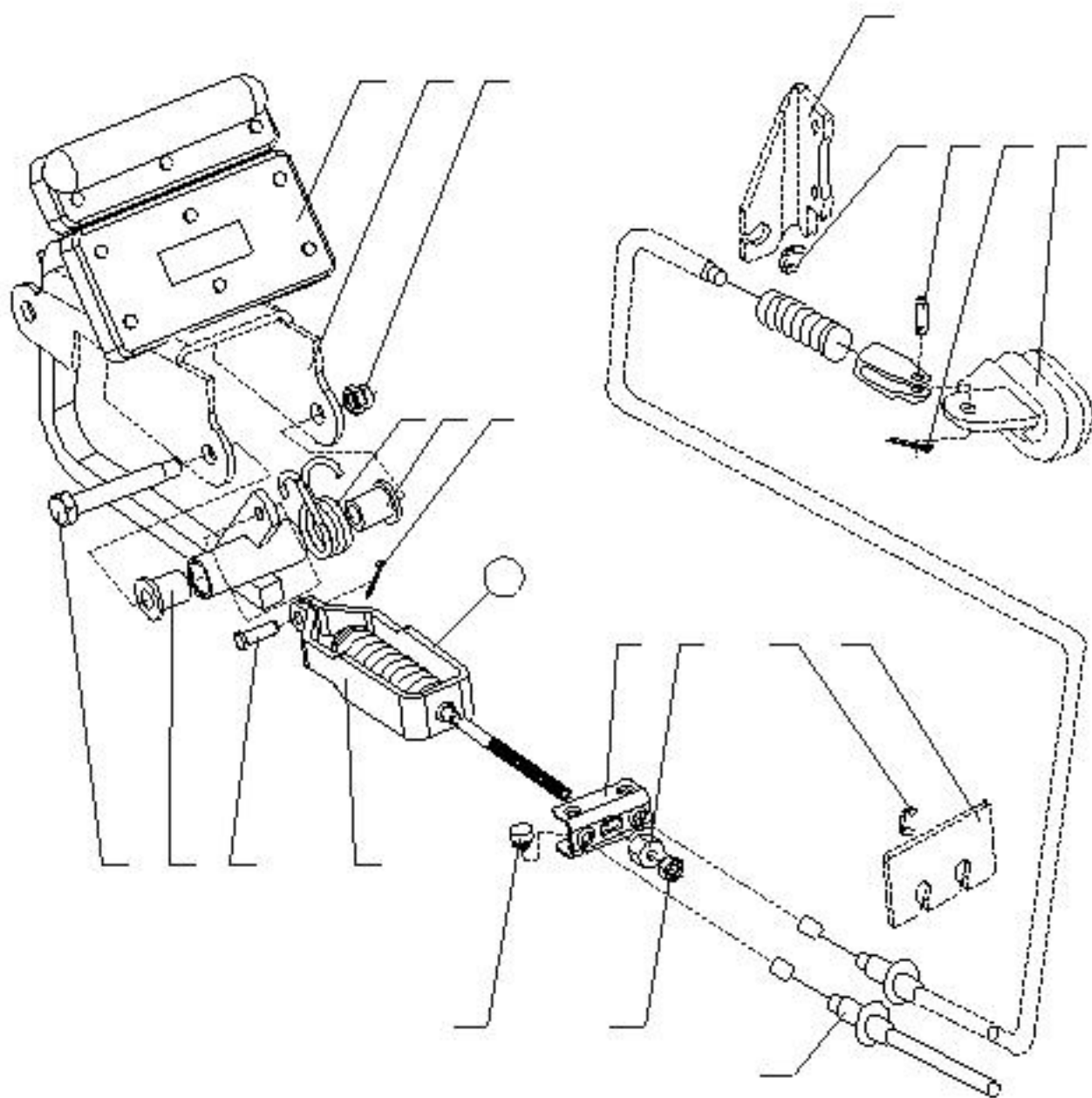
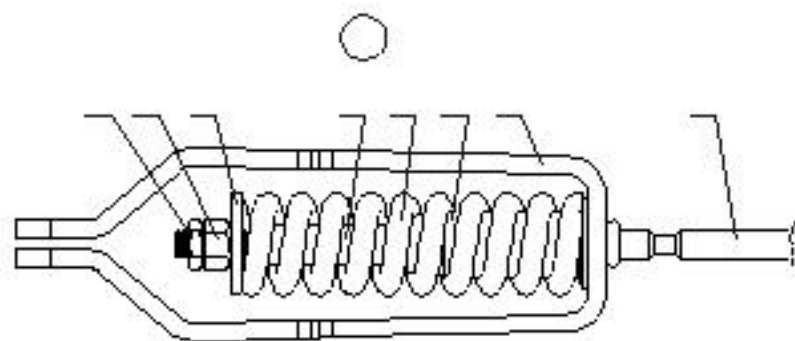
No.	Part #	Name	Amount
1	3.01.041669	Pedal assembly in vehicles	1
2	HEL2-3500202	Parking brake pedal pad	1
3	GB/T109 5×13	Solid rivets	9
4	HEL2-3500201	Brake pedal pad	1
5	3.01.041668	Pedal installation board (LIGHT)	1
6	3.01.040490	Stop brake pedal	4
7	3.01.040491	Cone brake pedal spring	4
8	2.01.040123	Pedal assembly (LIGHT)	1
9	GB/T96 φ5	Large washers	4
10	GB/T889 M5	Locking nut	4
11	GB/T818 M4×30	Cross slot screw head Semicircle	2
12	GB/T97.1 φ4	Flat washer	4
13	3.05.040180	Micro Switch	1
14	GB/T6170 M4	Nut	2
15	3.01.190048	Pin	1
16	3.01.040499 3.01.040500	Small spring brake	2
17	GB/T97.1 8	Flat washer	1
18	GB/T91 2.5×20	Forelock	1

Brakes #2

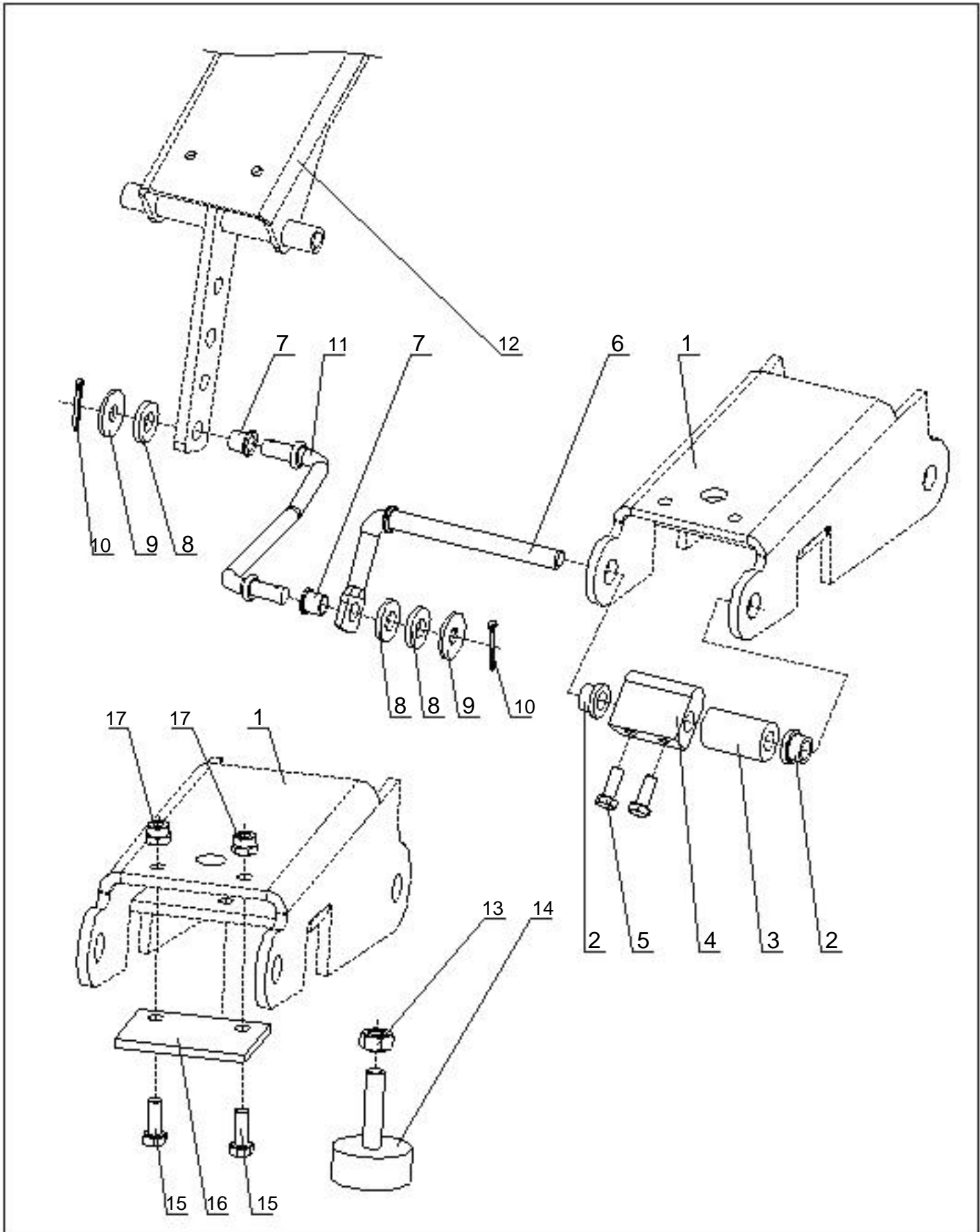


Brakes #2

No.	Part #	Name	Amount
1	3.01.190022	Link	1
2	3.01.190006	Cross-arm	1
3	3.01.190004	Compensator device limit	1
4	3.03.040029	Protective shield	1
5	3.01.190051	Reed	1
6	GB/T5287 ϕ 9	Large washers	1
7	GB/T6170 M8	Hex Nuts (D)	1
8	GB/T6172 M8	Thin hexagonal nut	1
9	2.01.040123	Brake pedal assembly (LIGHT)	1
10		Slotted frame (chassis parts)	1
11	3.01.215009	Convex shoulder bolt	1
12	GB/T889 M10	Locking nut	1
13	3.03.160036	Flange Bushing	1
14	3.01.210041	Pedal Return Torsion Spring	2
15	GB/T882 8x24	Pin	1
16	GB/T91 2.5x20	Cotter Pin	1
17	2.01.040023	Compensator Yoke ASSY	1
18	3.01.040296	Equalizer bracket	1
19	3.03.040060	Rubber Stopper	2



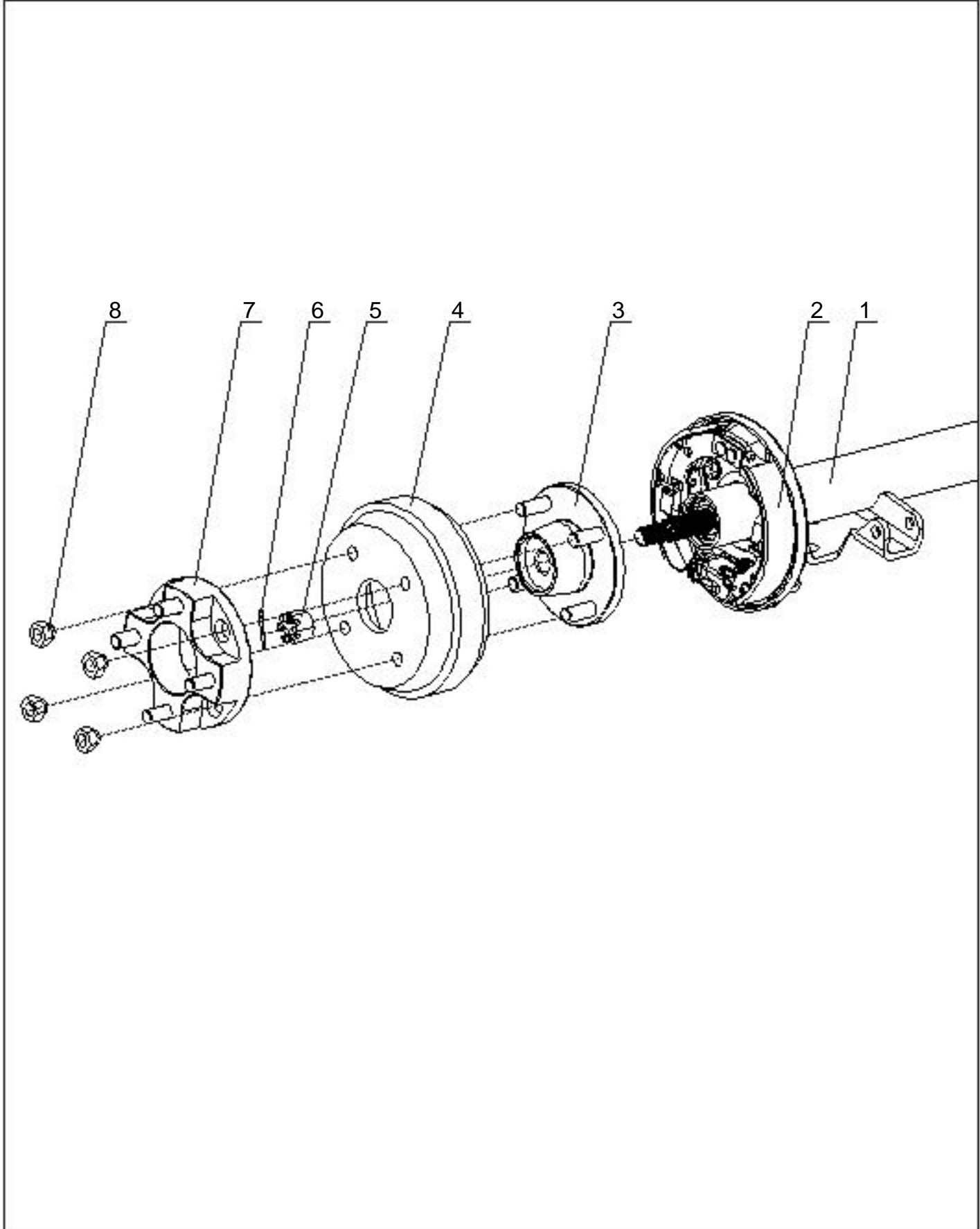
Brakes #3



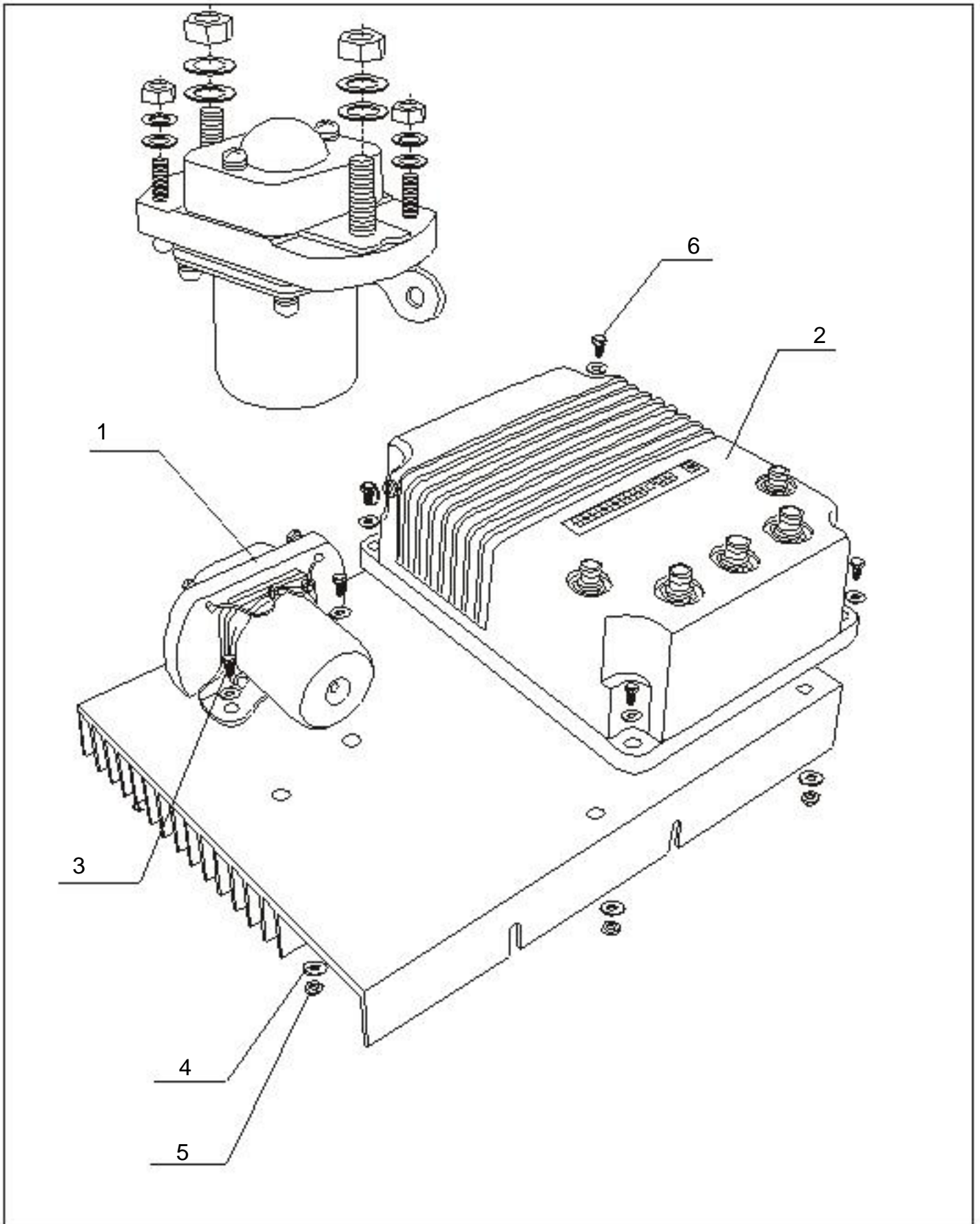
Brakes #3

No.	Part #	Name	Amount
1		Slotted frame (frame portion)	1
2	3.01.190044	Camshaft	2
3	3.03.040062	Isolated block	1
4	3.01.190041	Cam	1
5	GB/T5783 M6×16	Hexagon head bolt	1
6	3.01.190042	Cam Pin	1
7	3.03.160017	Nylon jacket	2
8	3.03.160016	Nylon Gasket	3
9	GB/T96 φ8	Large washers	2
10	GB/T91 2.5×20	Cotter Pin	2
11	3.01.190018	Interlocking link	2
12	3.01.040227	Accelerator pedal assembly	1
13	GB/T6170 M8	Hex Nuts	1
14	3.03.040068	Adjustable Bumper	1
15	GB/T5783 M6×16	Hexagon head bolt	2
16	3.01.041660	Fixation	1
17	GB/T889 M8	Locking nut	2
18			

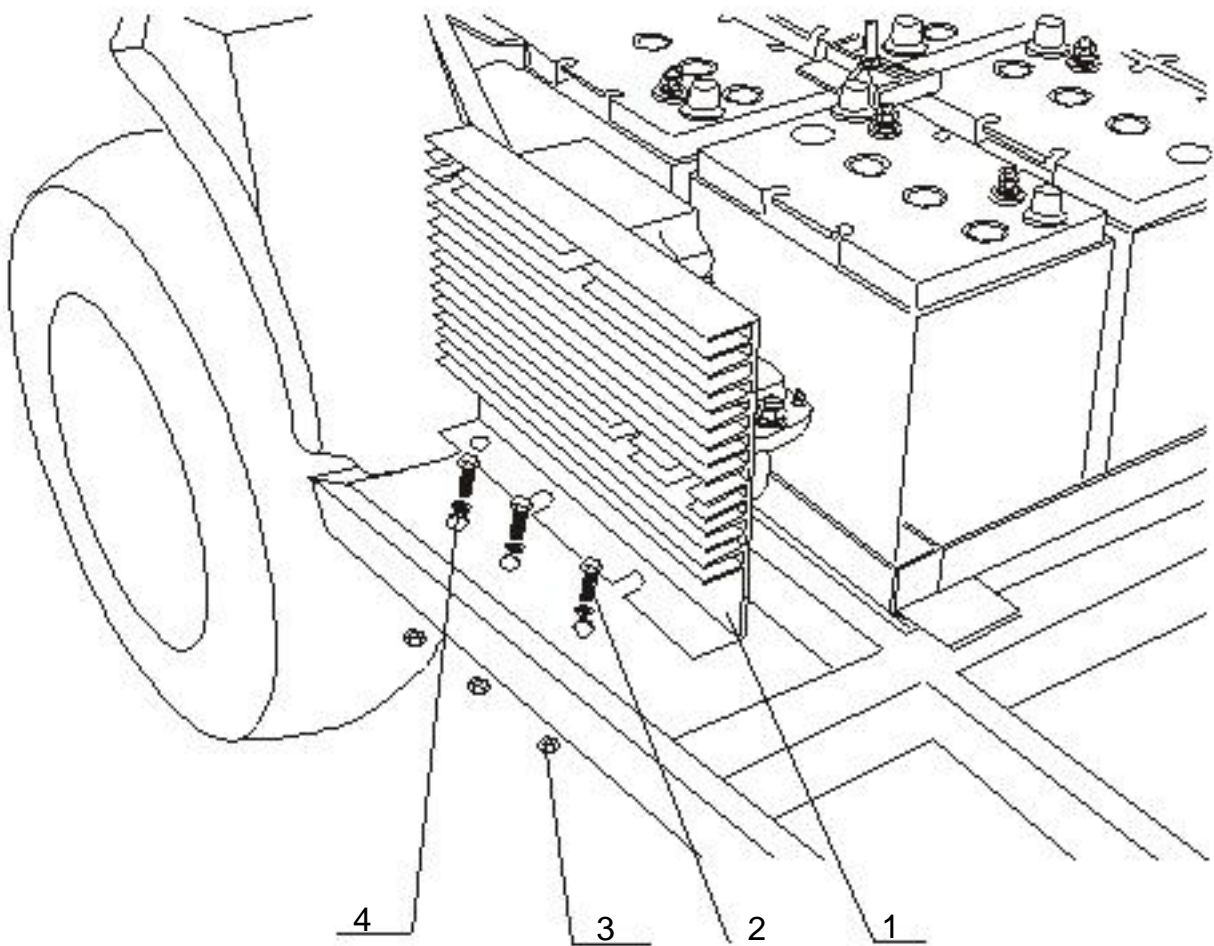
Brakes #4



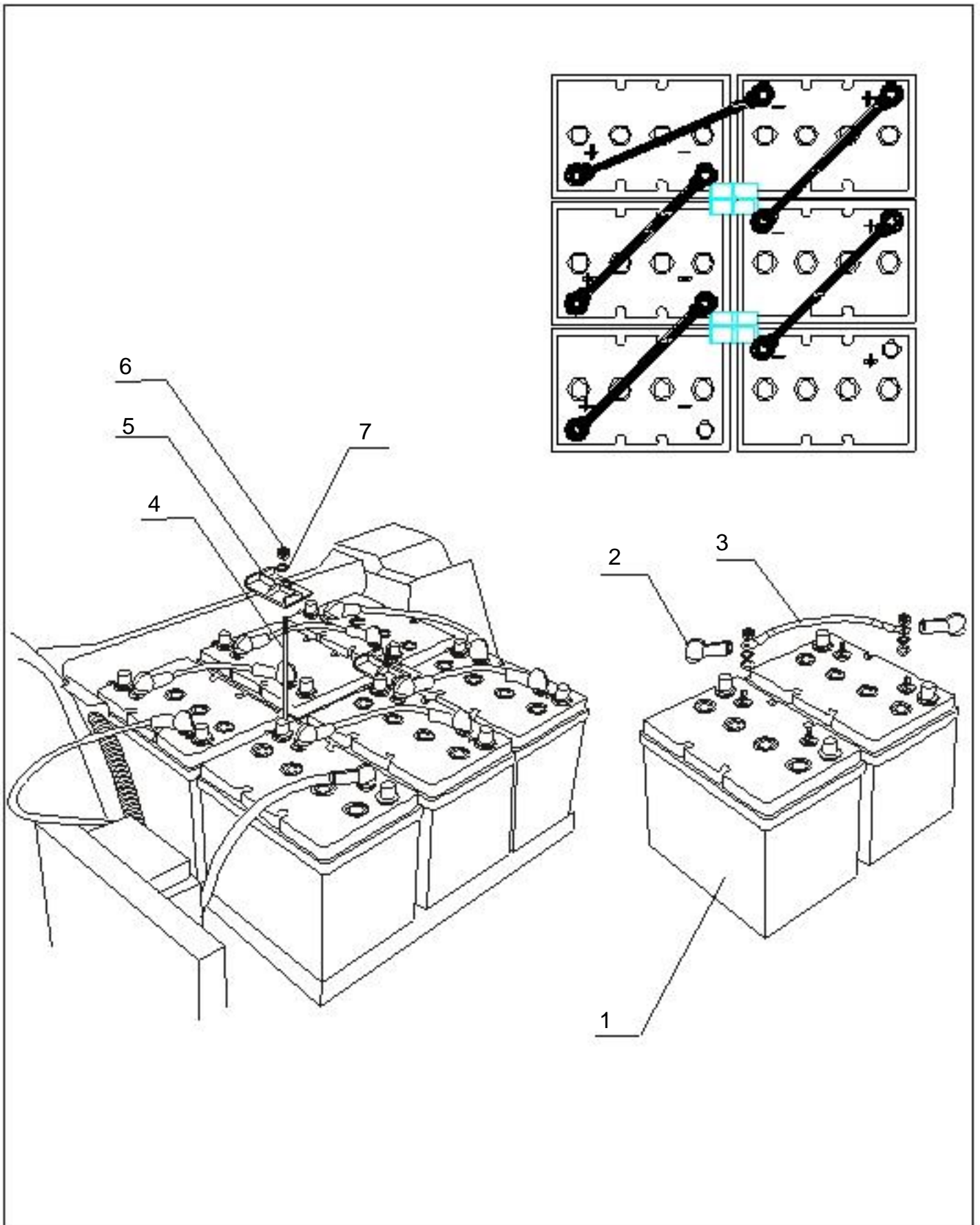
Electrical



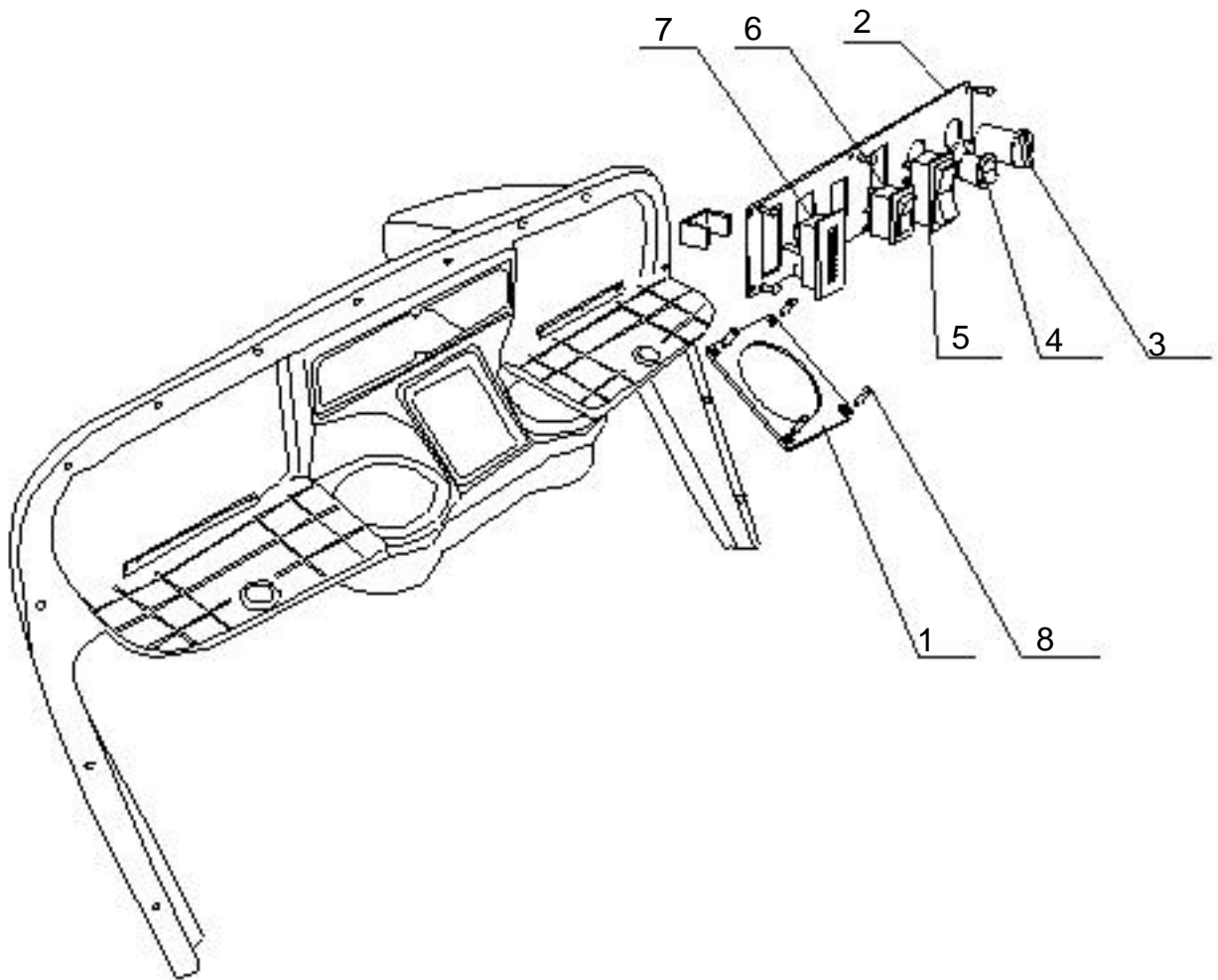
Electrical



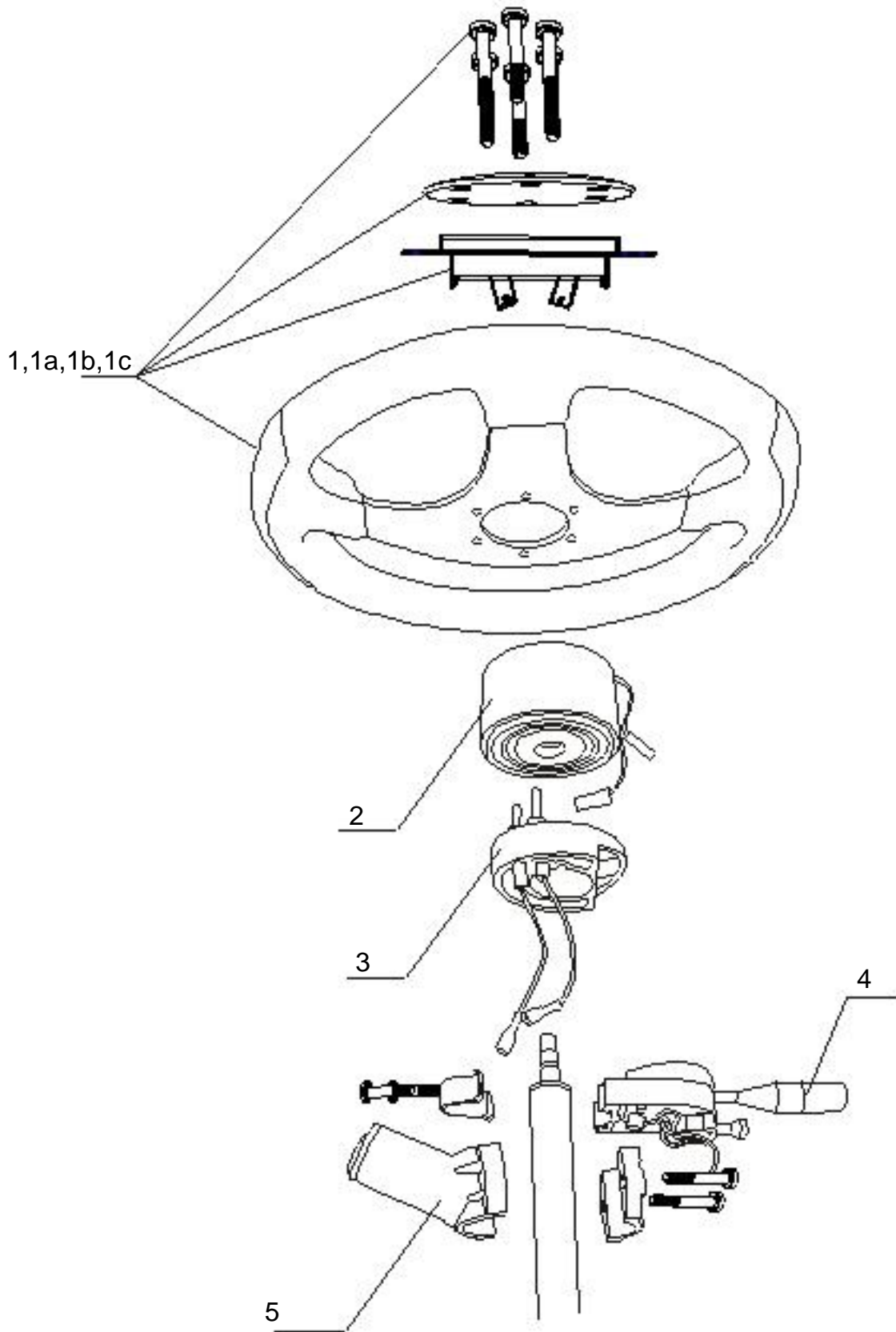
Electrical



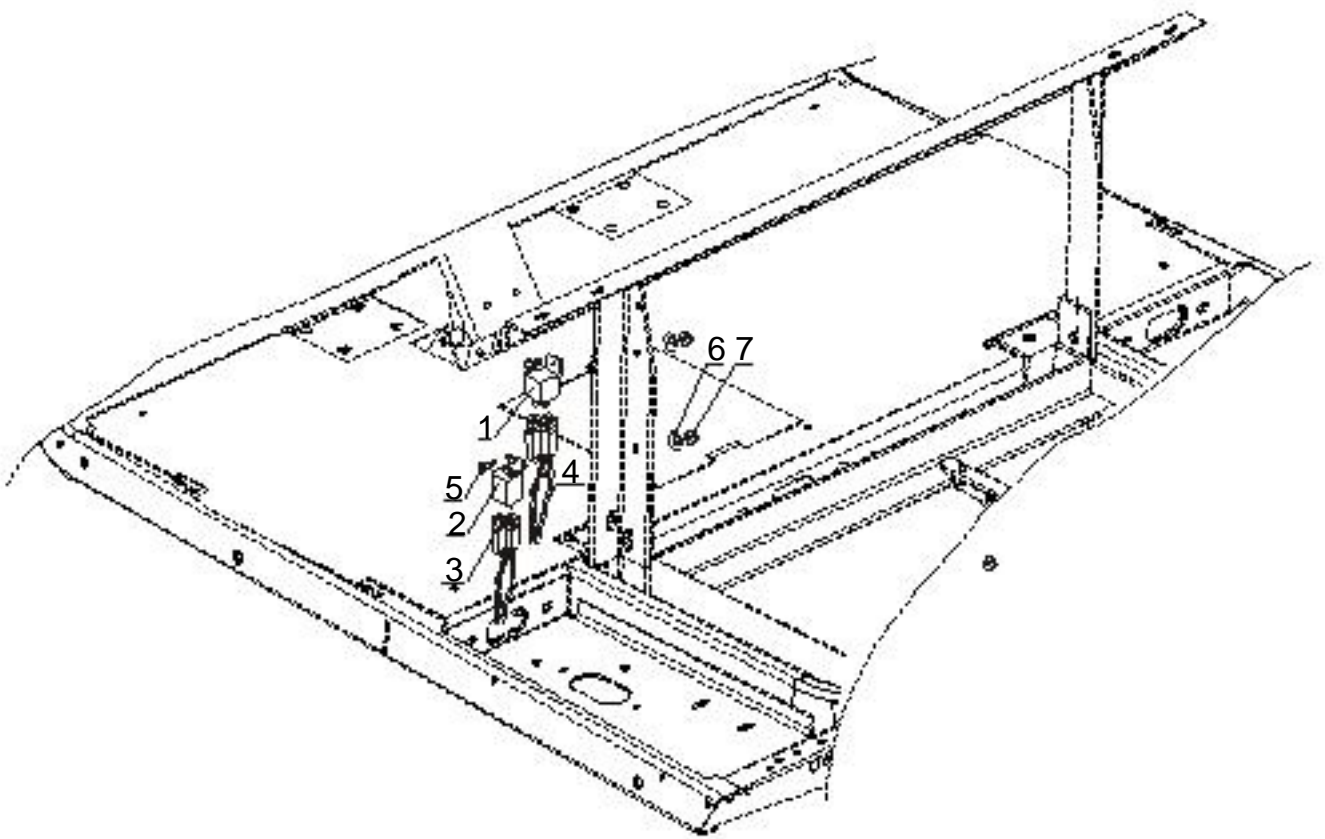
Switch Panel



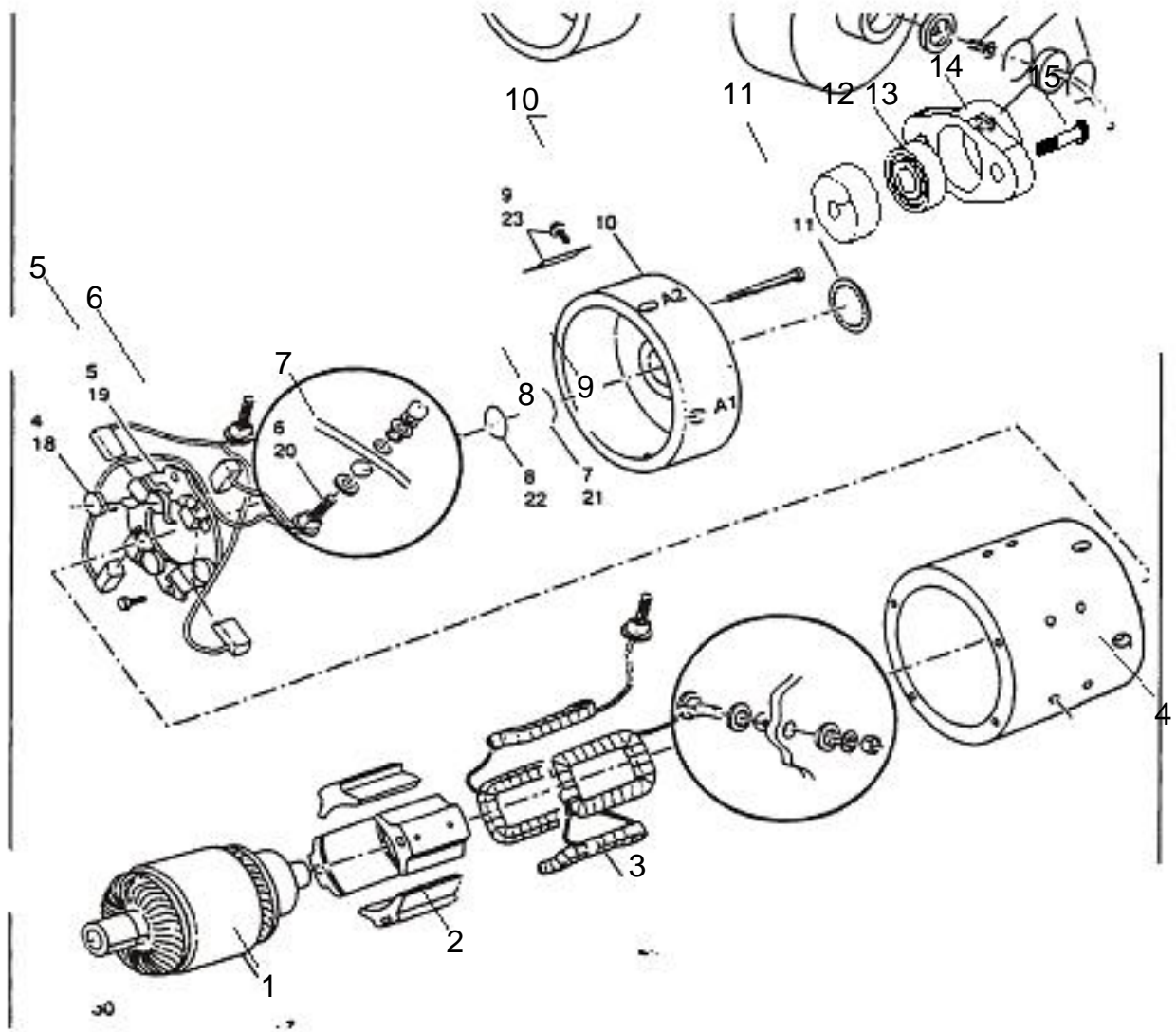
Steering column Electrical



Electrical



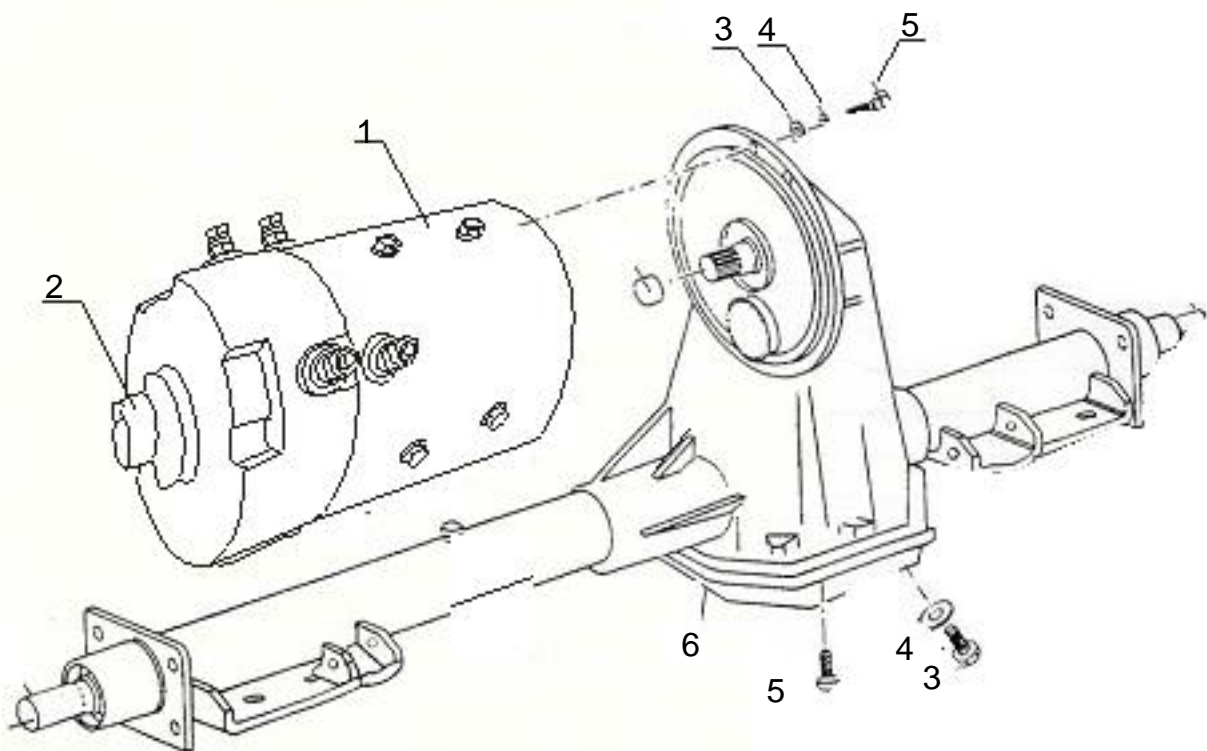
SEP EX Motor



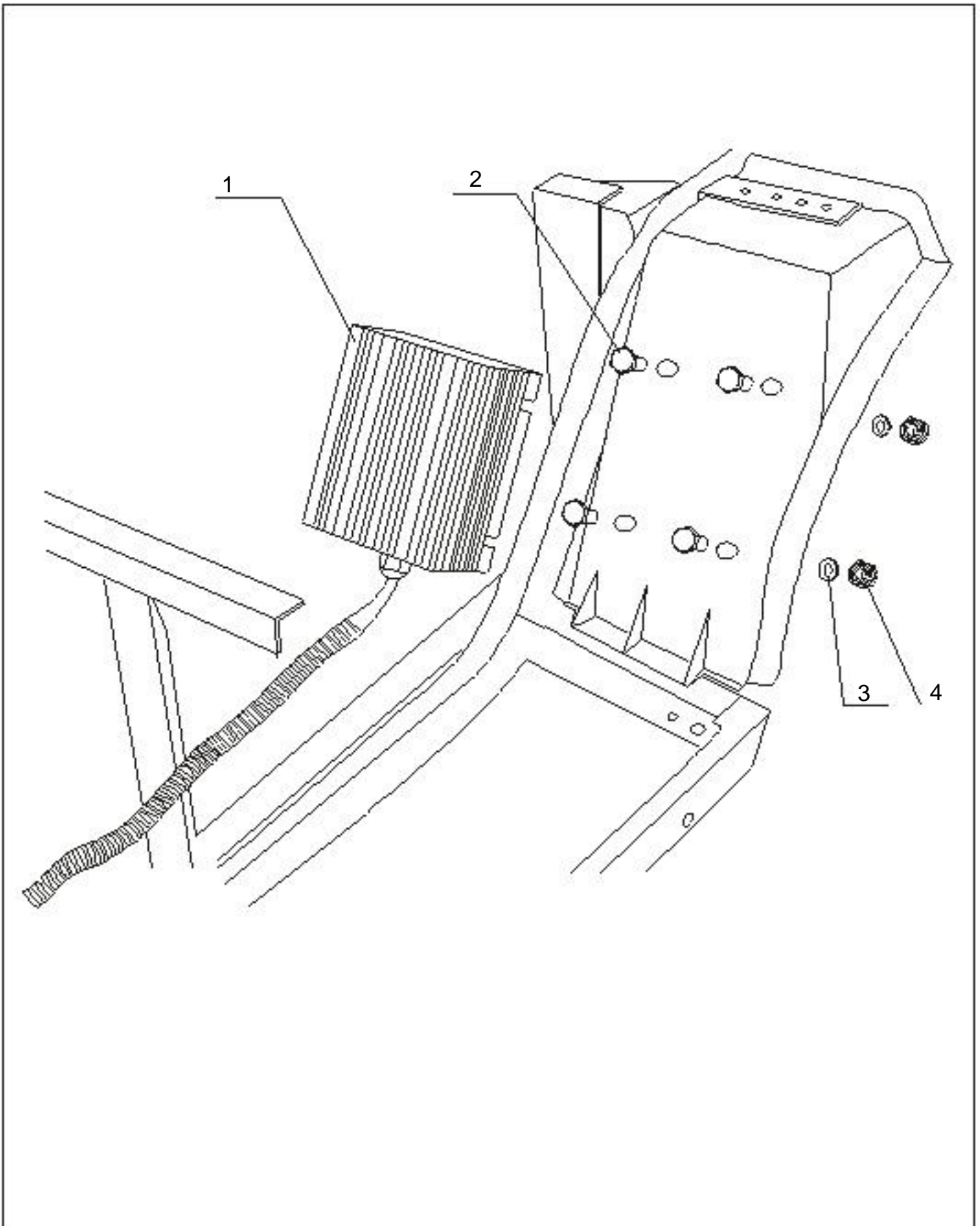
SEP EX Motor

No.	Part #	Name	Amount
1	CEV-3711100	Armature	1
2	CEV-3711006	Stator	4
3	CEV-3711200	Field Coil	4
4	CEV-3711007	Motor Housing	1
5	CEV-3711444	Motor Brushes	4
6	CEV-3711002	Brush Holder	1
7		Bolt	2
8		Waved pillow	1
9		Axletree	1
10		Carbon window	1
11		Bolt	2
12		Pillow block	1
13		Magnet	1
14		Rear halt	1
15		Bolt	2

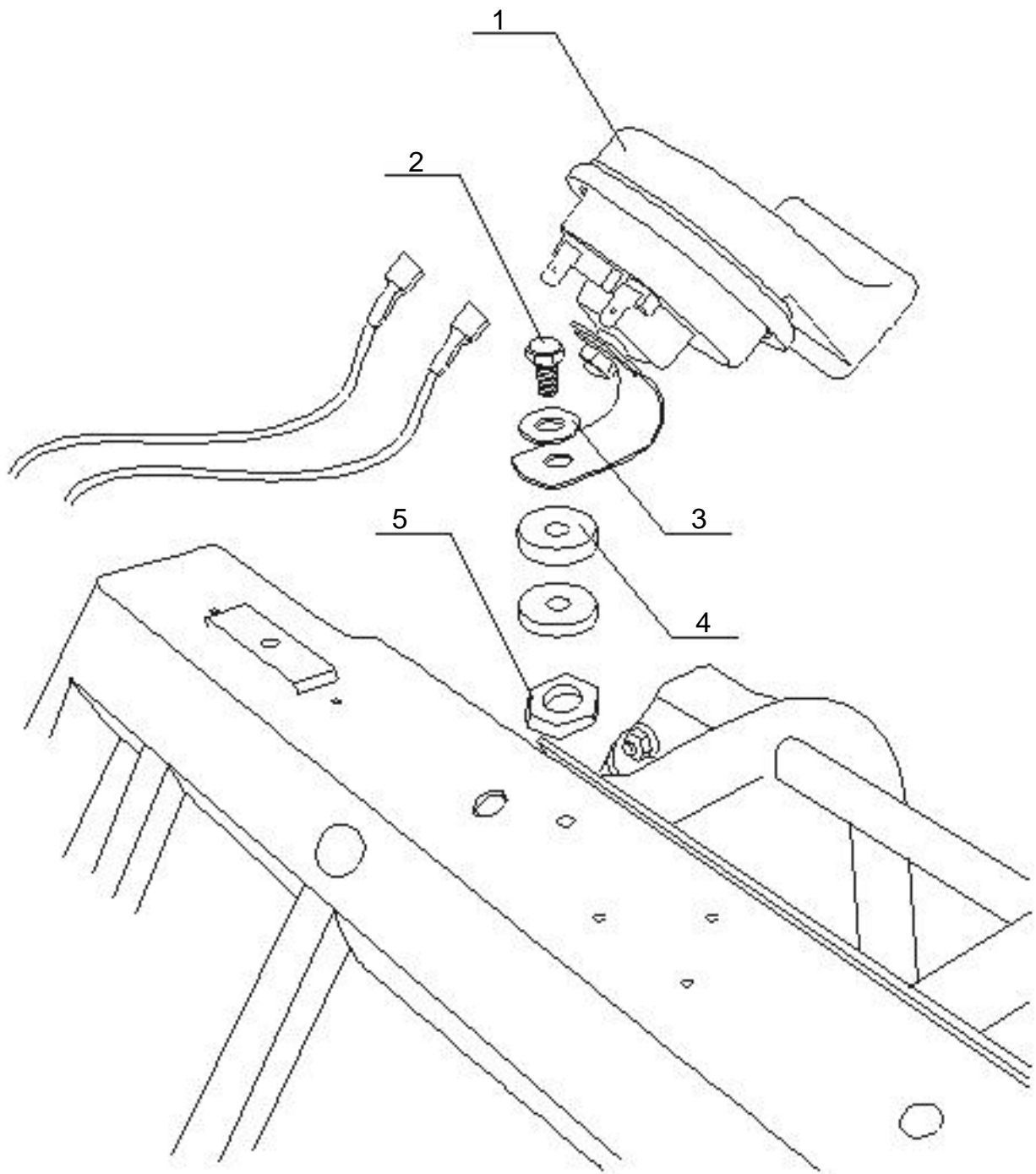
Motor Mounting



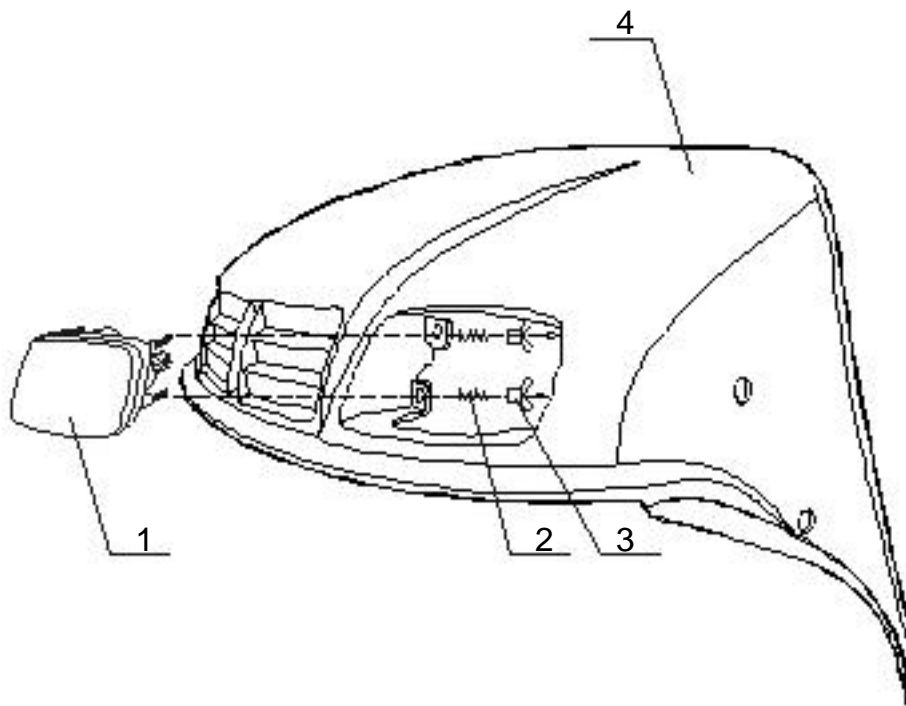
DC Converter



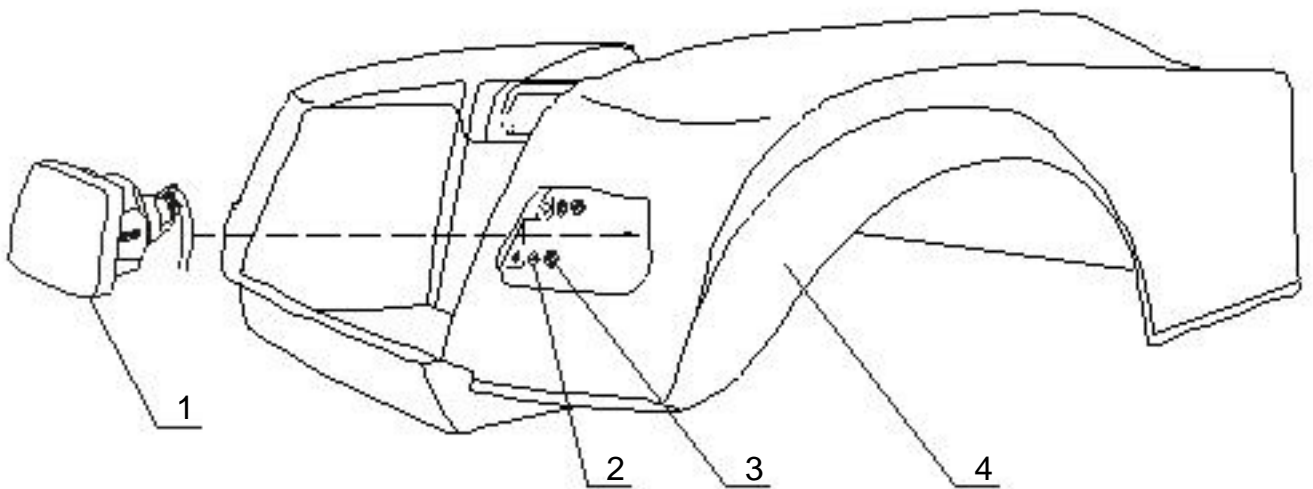
Horn



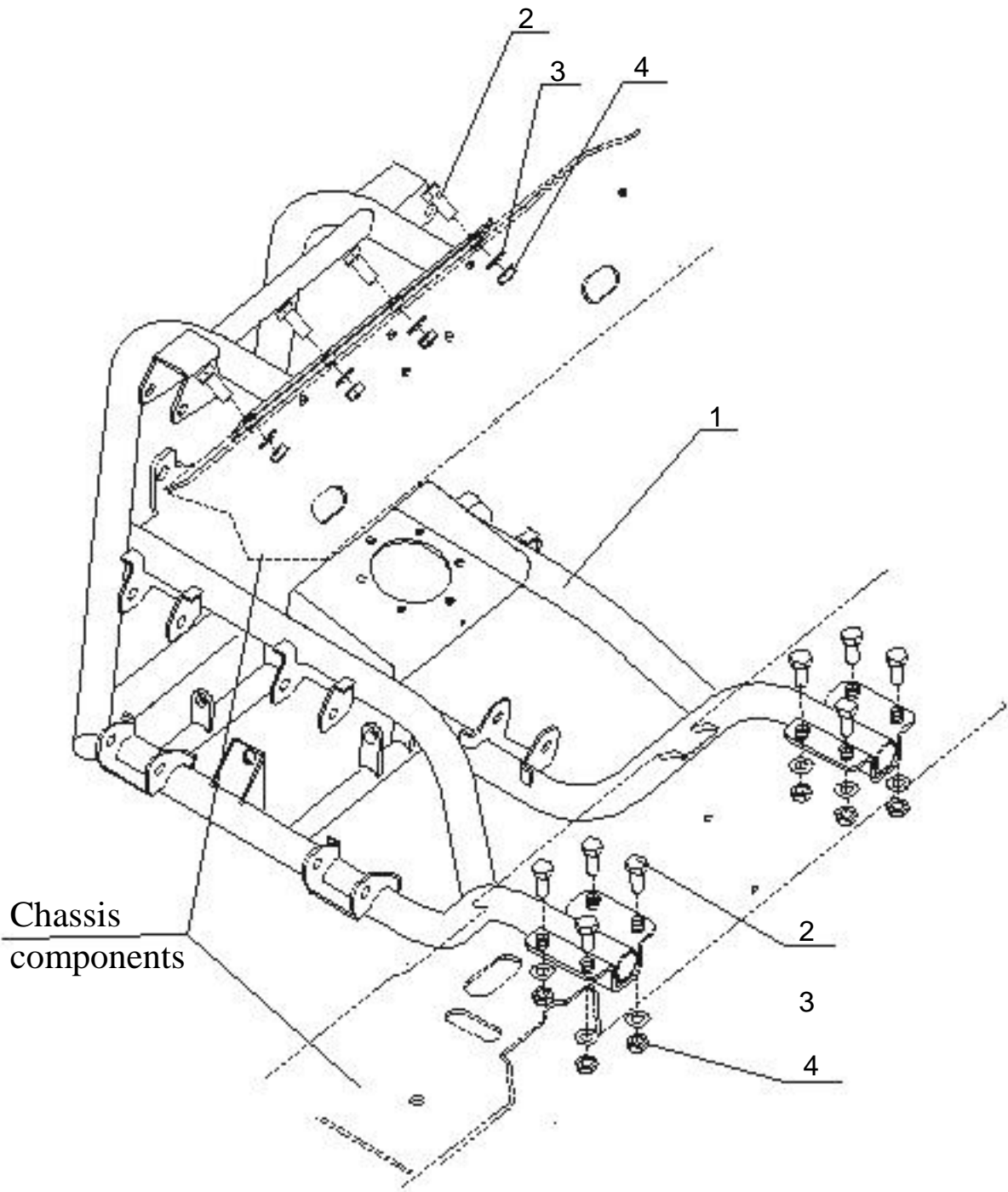
Headlights



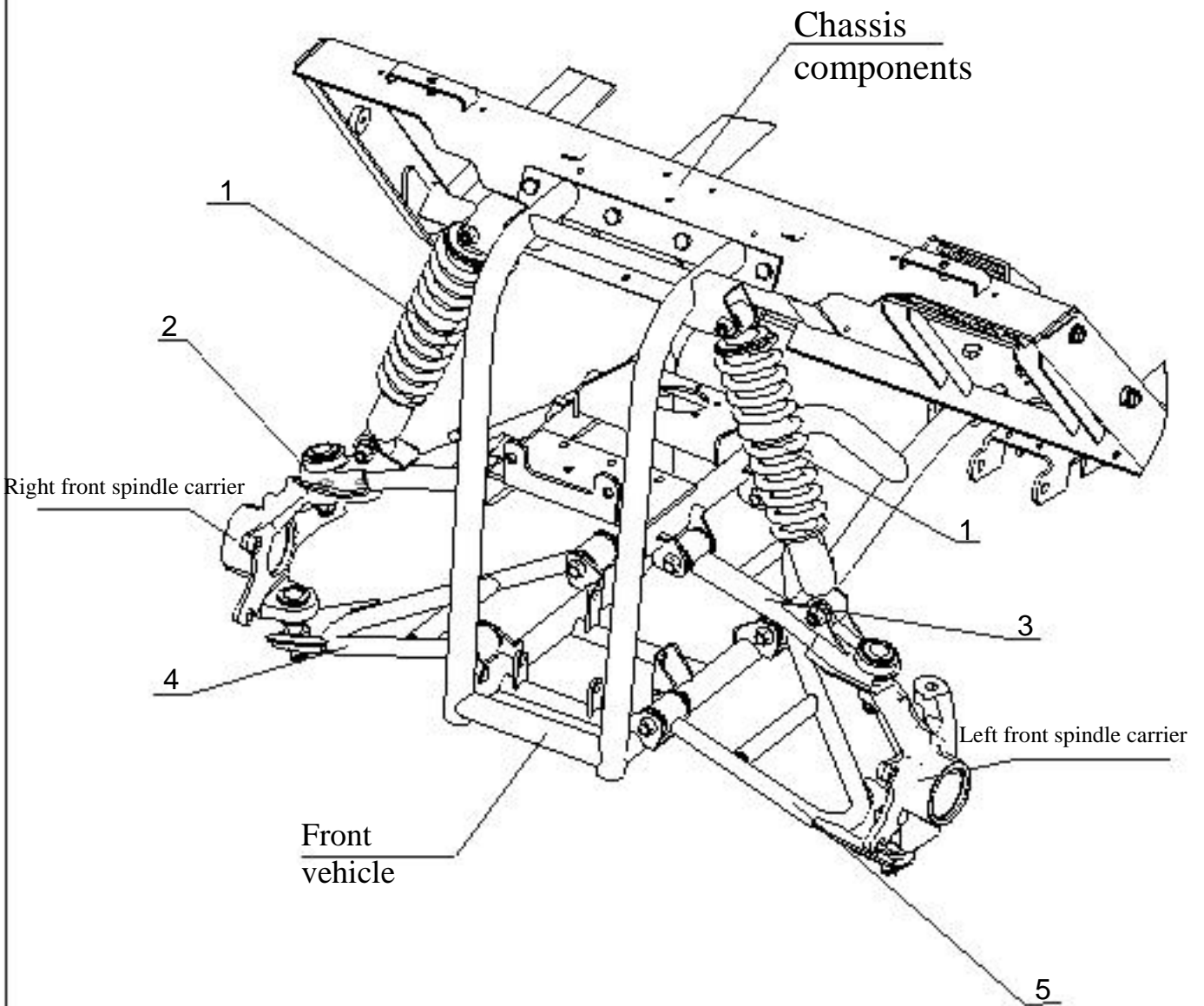
Taillights



Front Suspension



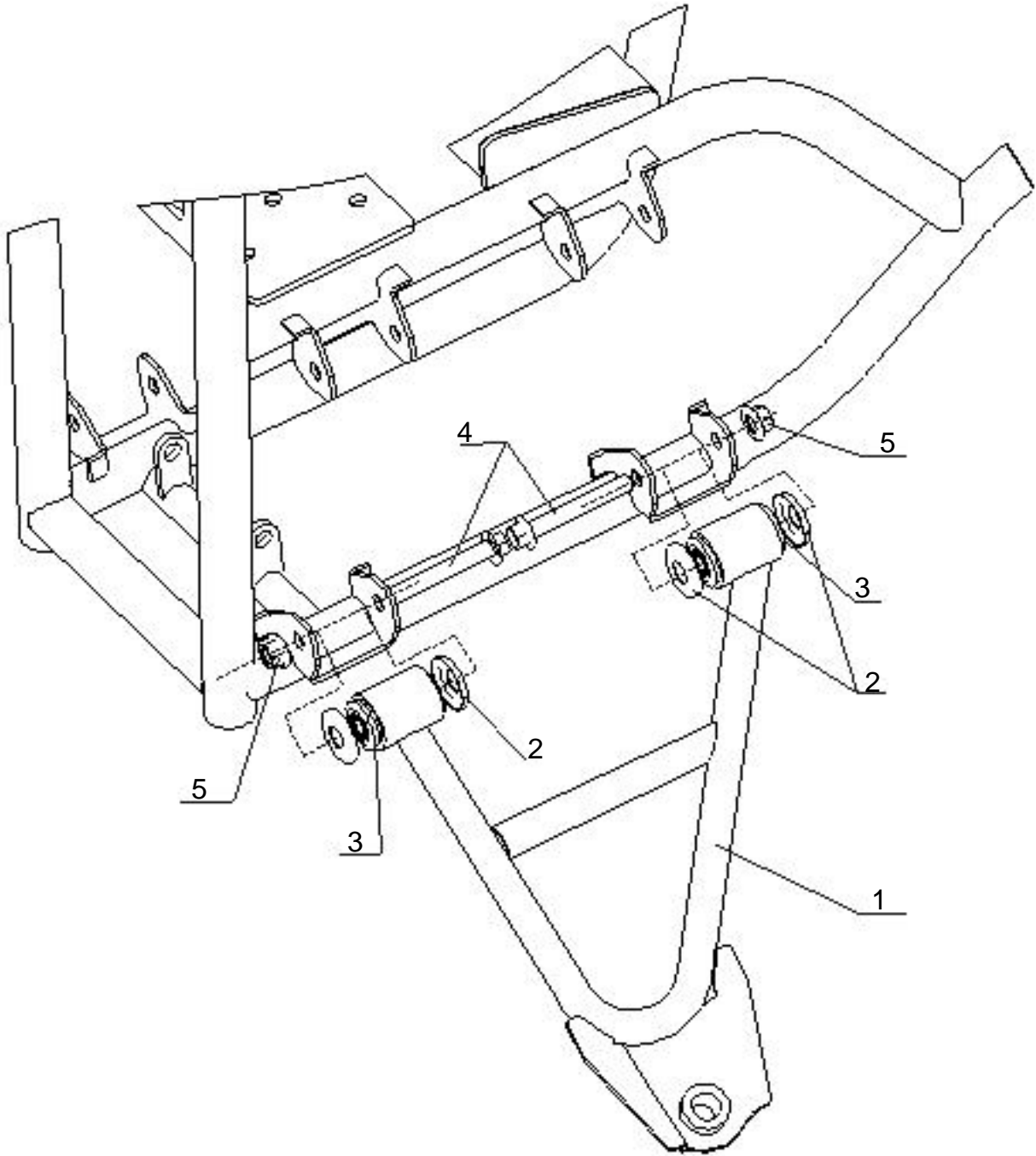
Front Suspension



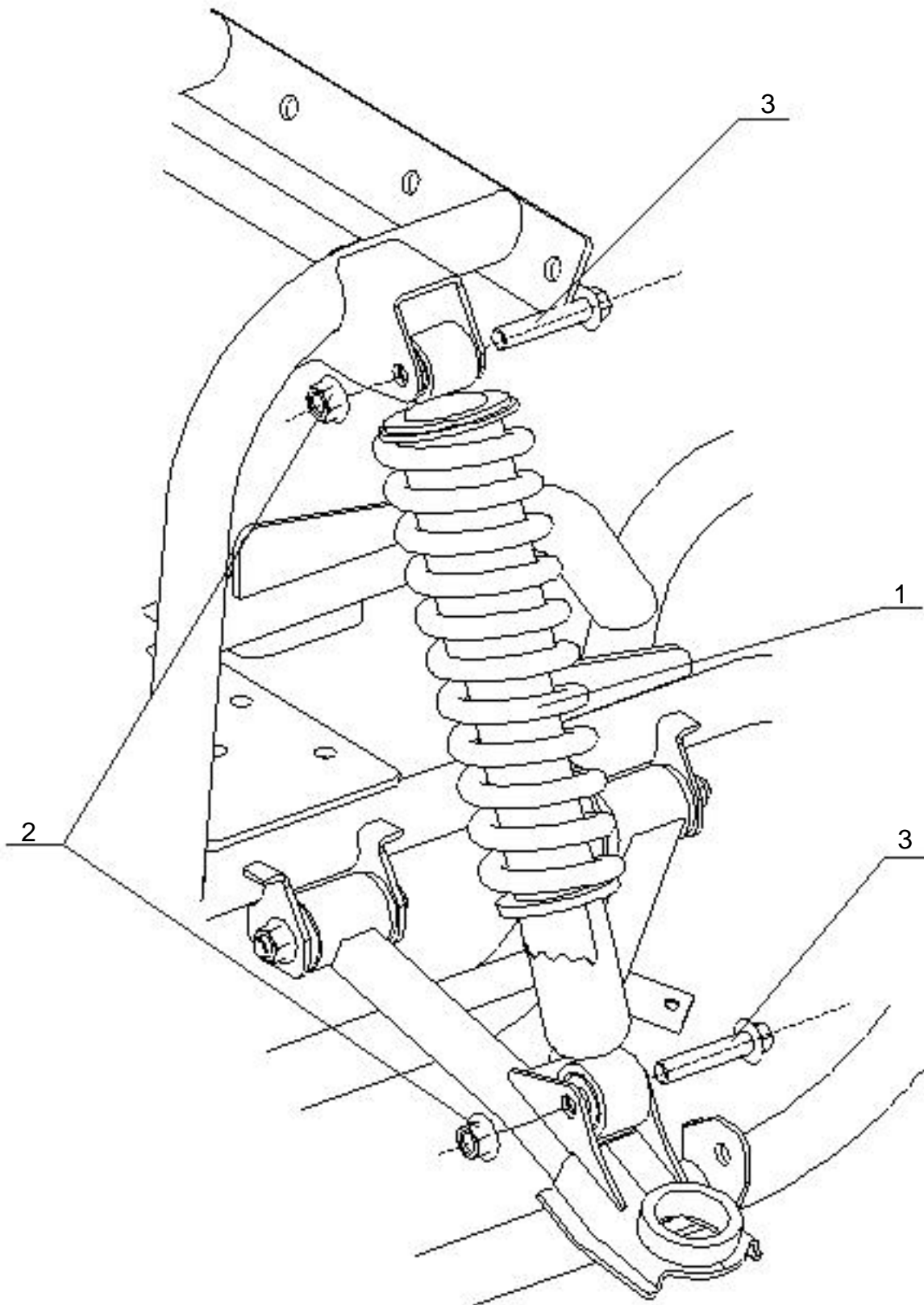
Front Suspension

No.	Part #	Name	Amount
1	CEV-290010	Front Shock Absorber	2
2	HLP-290005R	Right Front upper Arm	1
3	HLP-290005L	Left Front upper Arm	1
4	HLP-290006R	Right Front lower Arm	1
5	HLP-290006L	Left Front Lower Arm	1
	NEV front suspension:		
		NEV2 Front leaf Spring	2
	3.01.040303	NEV4 Front Leaf Spring	2
	3.01.040304	NEV2/4 Front Shock	2
	3.01.040329	Absorber	1
	NEV-2320007	NEV2/4 Front Axle	

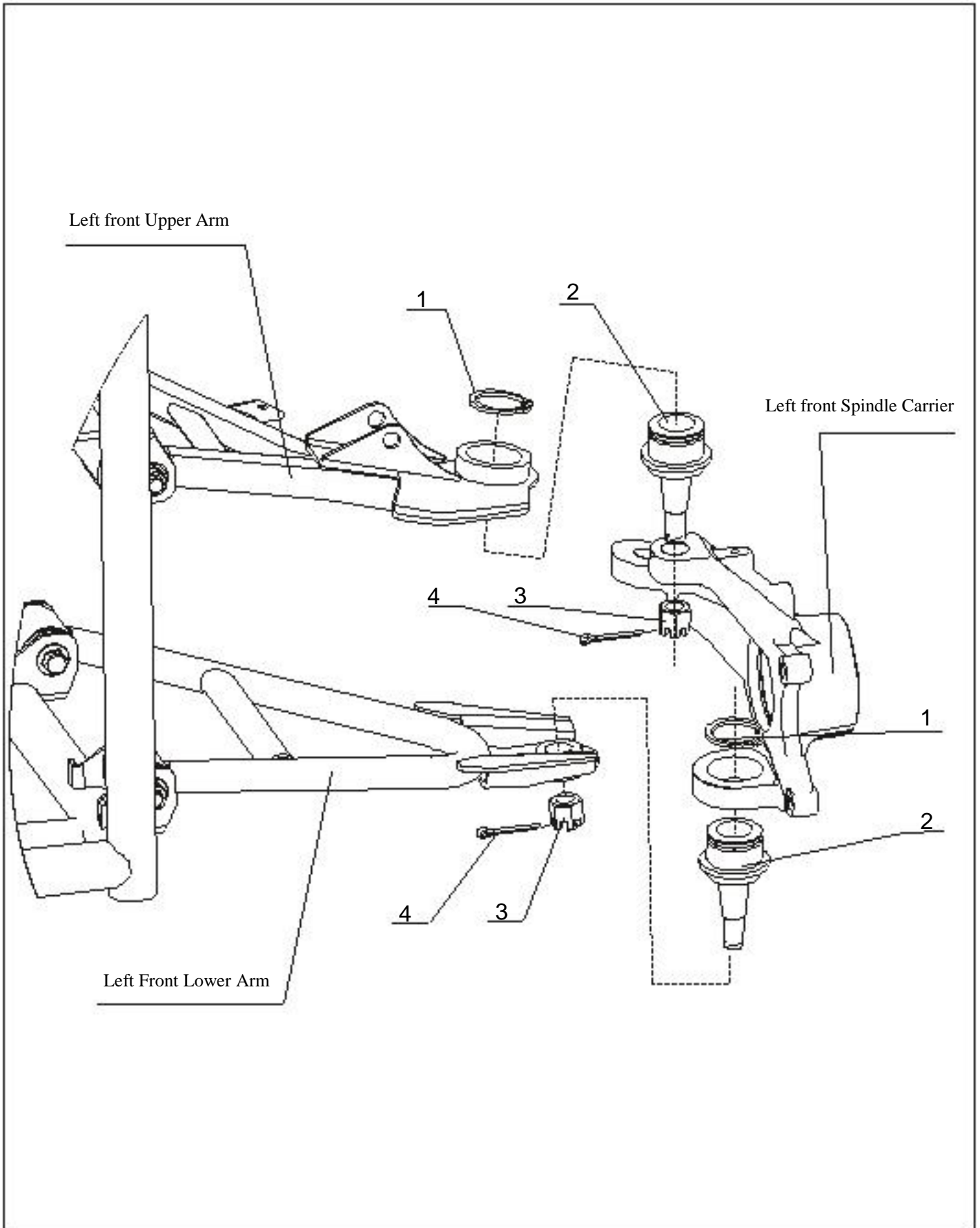
Front Suspension



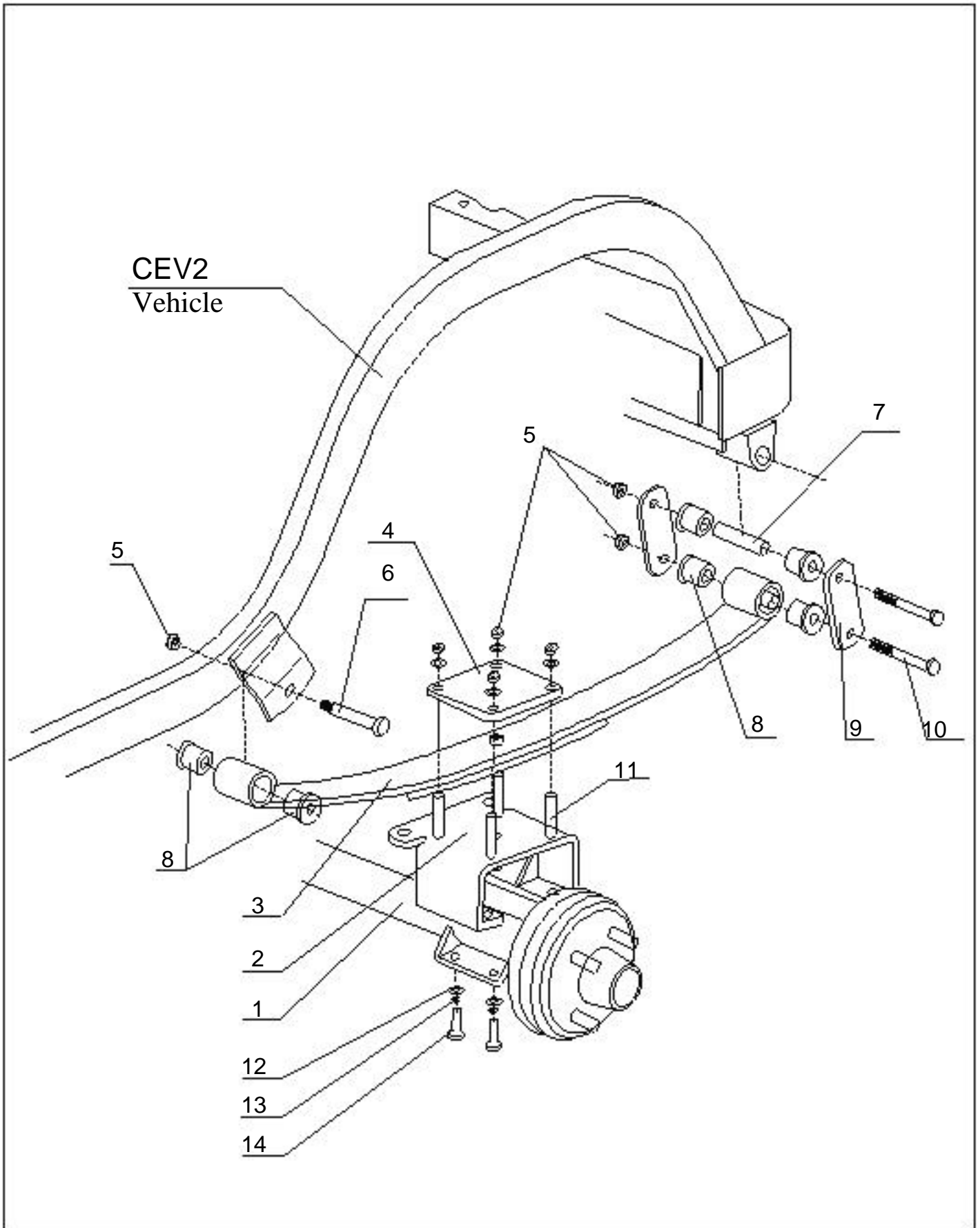
Front Suspension



Front Suspension



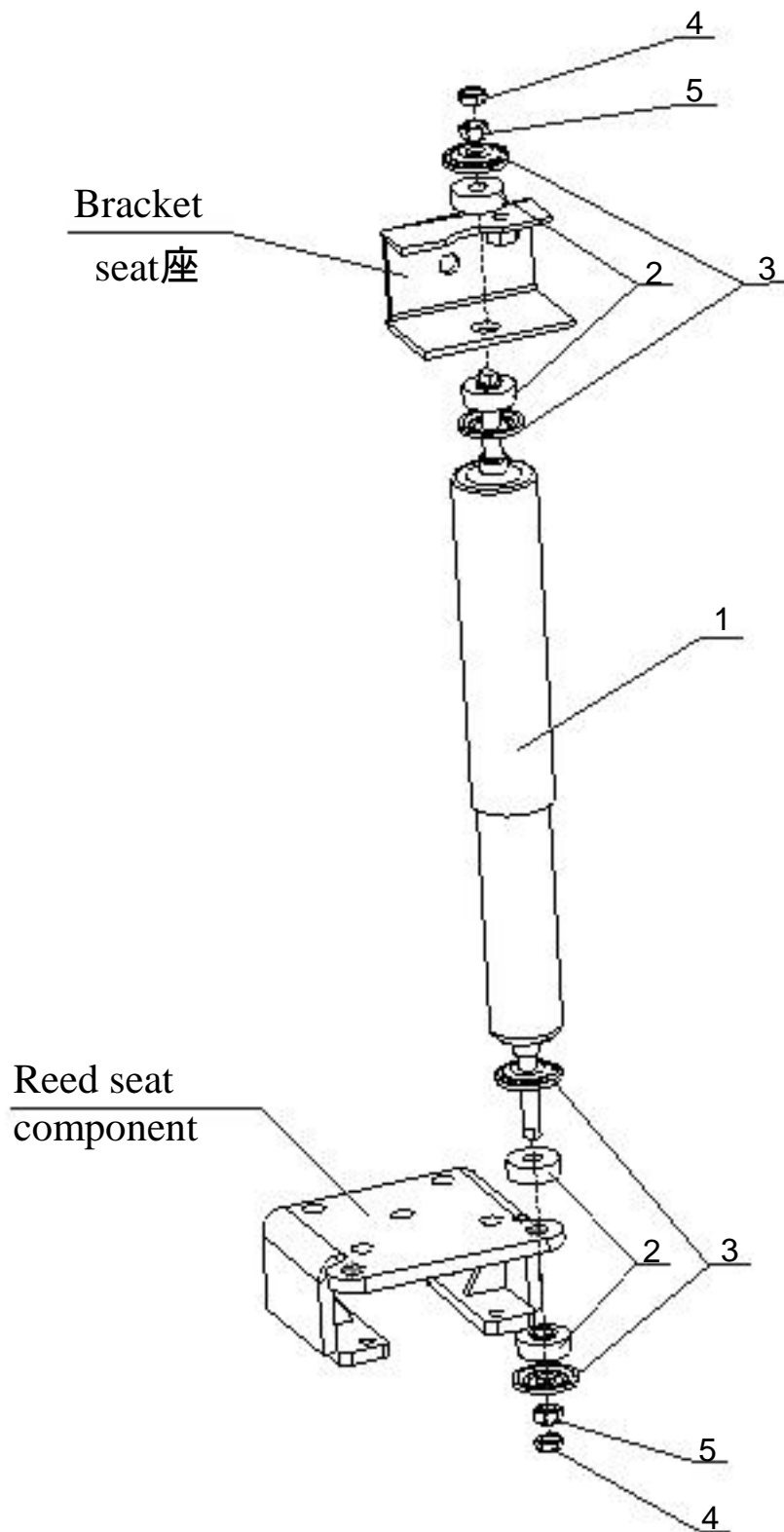
Rear Suspension



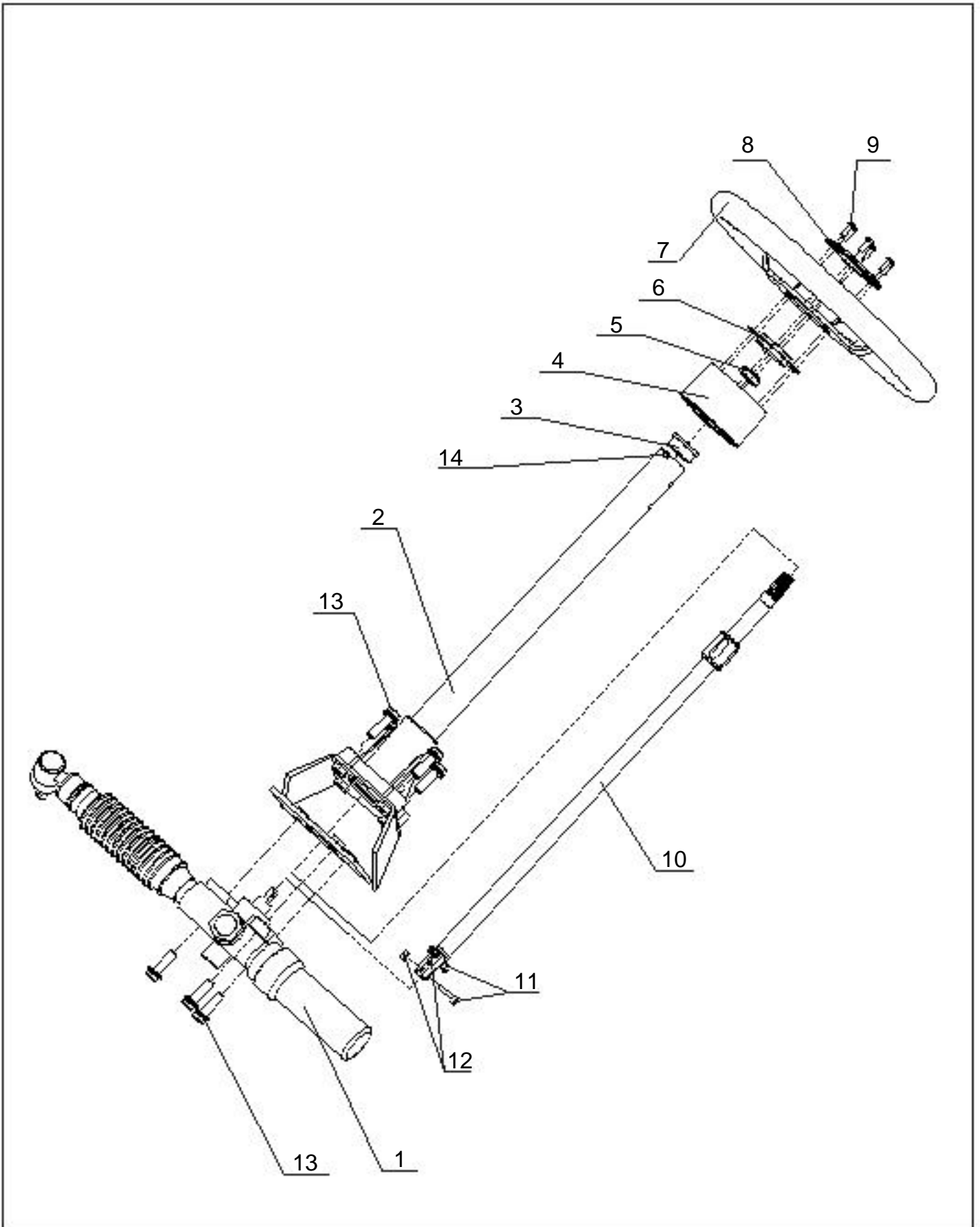
Rear Suspension

No.	Part #	Name	Amount
1	3.01.040201	Rear axle ASSY	1
2	3.01.041694	Reed seat component	2
3	3.01.040162	NEV2 Rear Leaf Spring	2
3	3.01.040164	NEV4/CEV Rear Leaf Spring	2
4	3.01.042021	Reed clamp block	14
5	GB/T889 M10	Flange nut	2
6	3.01.215008	Flange bolt	4
7	3.01.190012	inner Metal Bushing	12
8	3.03.040028	Reed jacket	4
9	3.01.041658	Suspend piece	4
10	GB/T5782 M10×90	Hexagon head bolt	4
11	3.01.215209	U bolt	16
12	GB/T97.1 10	Flat washer	8
13	GB/T93 10	Spring washer	8
14	GB/T5783 M10×30	Hexagon head bolt	

Rear Suspension



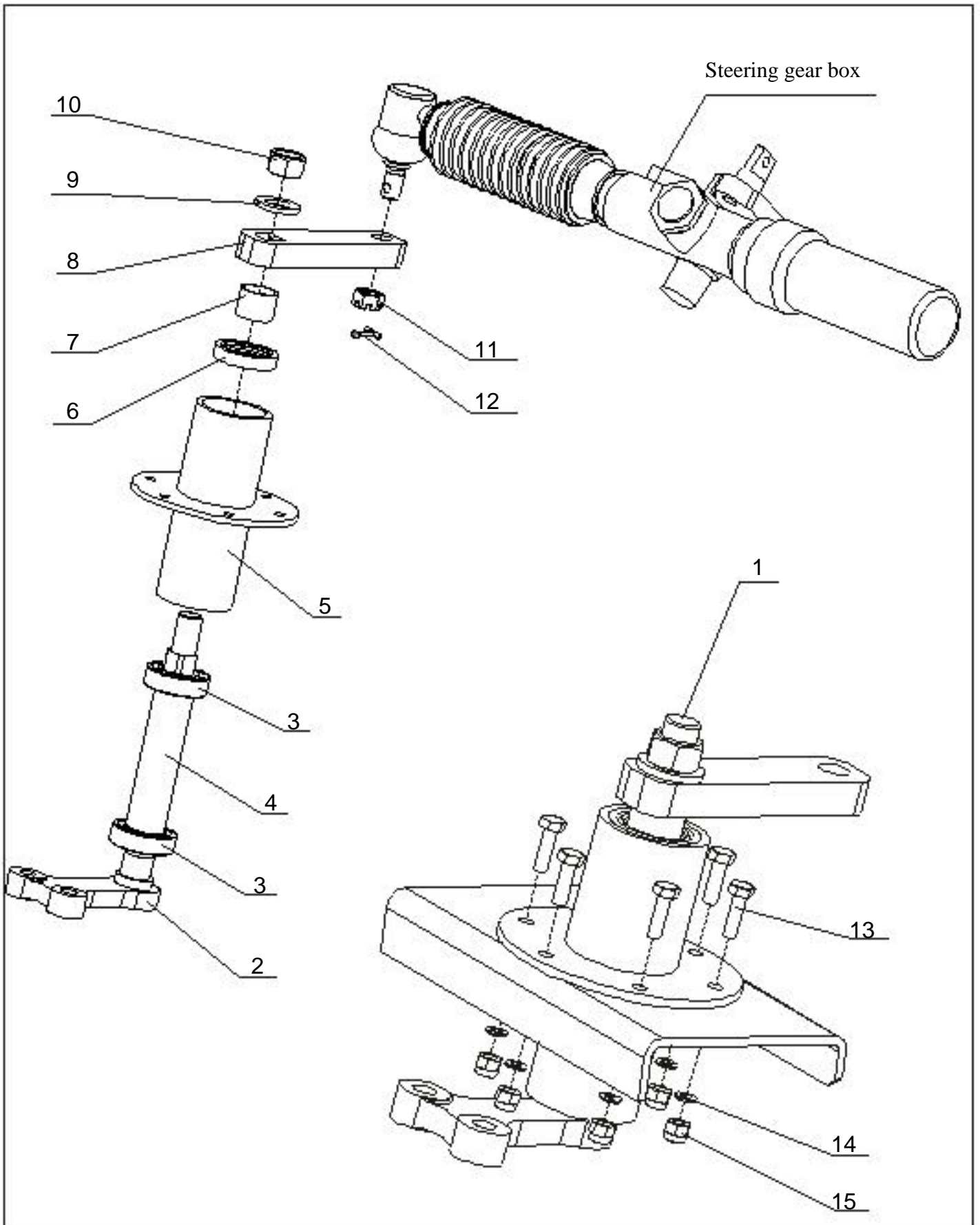
Steering



Steering

No.	Part #	Name	Amount
1	HLP-340004	CEV Steering Gear Box	1
2	HLP-340009	Steering column	1
3		Steering bearing jacket	1
4	HEL2-3400071	Linker	1
5	GB/T6172.2 M16×1.5	Locknut	1
6	HEL2-3400220	Horn Button	1
7	HEL2-3400200	Steering wheel	1
8	HEL2-3400230	Steering wheel Lid	1
9	GB/T70.2 M5×15	Inner hexagon flat round bolt	6
10	HEL2-3400005	Steering Main Shaft	1
11	GB/T70.1 M6×23	Inner hexagon flat round bolt	2
12	GB/T899.1 M6	Locknut	2
13	GB/T9074.1 M10×35	Bolt	6
14	GB/T845 ST M5×15	Bolt	1

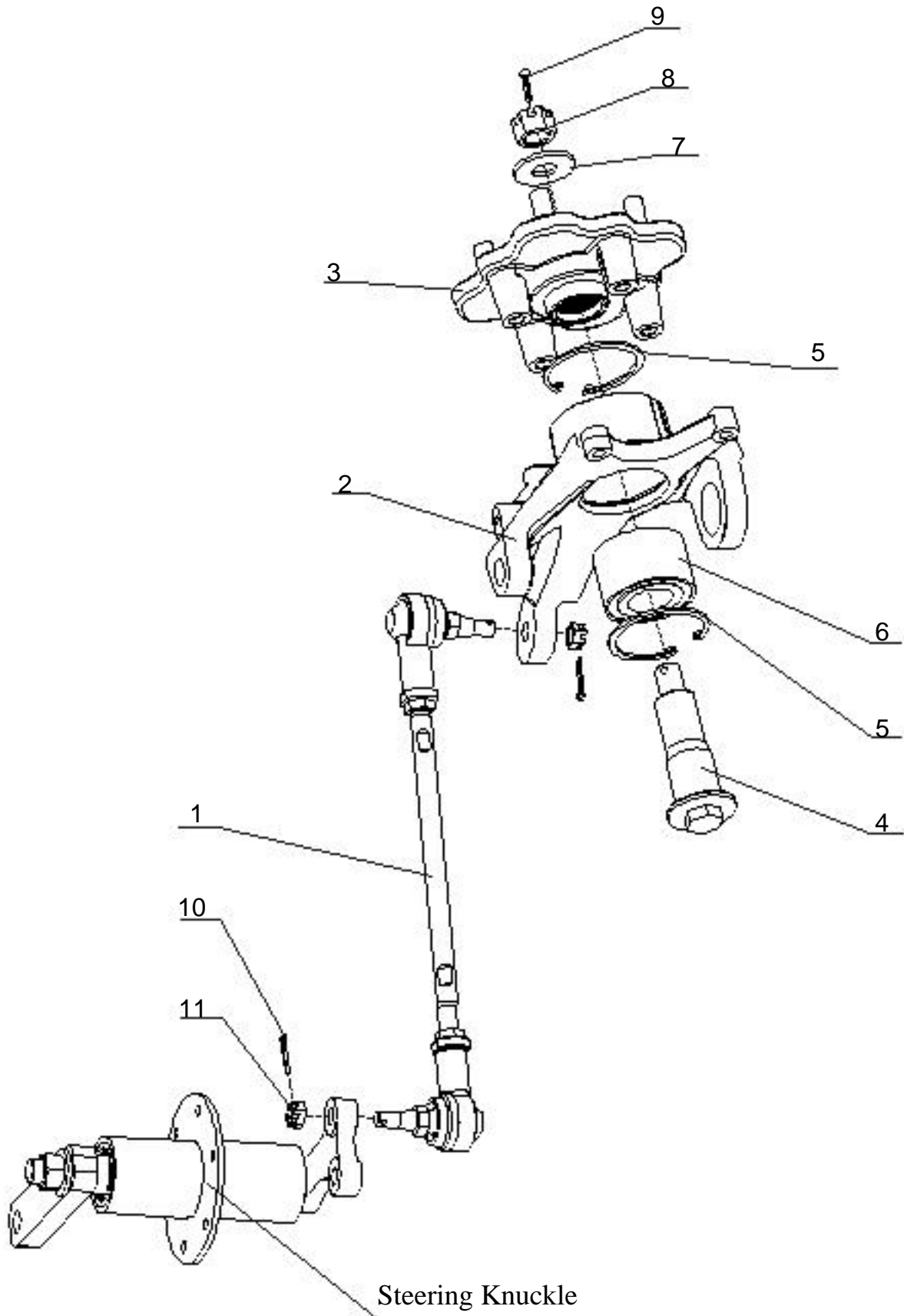
Steering



Steering

No.	Part #	Name	Amount
1	HLP-340005	Steering Knuckle	1
2	3.01.041995	Knuckle column	1
3	Bearing 6004 RS	Bearing 6004RS	2
4	3.01.042131	Jacket	1
5	3.01.041994	Bearing canister	1
6	42X25X8 seal	Seal	1
7	3.01.041993	Round tube	1
8	3.01.041992	Knuckle Upper Arm	1
9	GB/T97.1 16	Flat washer	1
10	GB/T889 M16	Locknut	1
11	GB/T6181 M12	Castle nut	1
12	GB/T91 3.2x22	Cotter Pin	1
13	GB/T5783 M6x20	Hexagon bolt	6
14	GB/T97.1 6	Flat washer	6
15	GB/T889.1 M6	Locknut	6

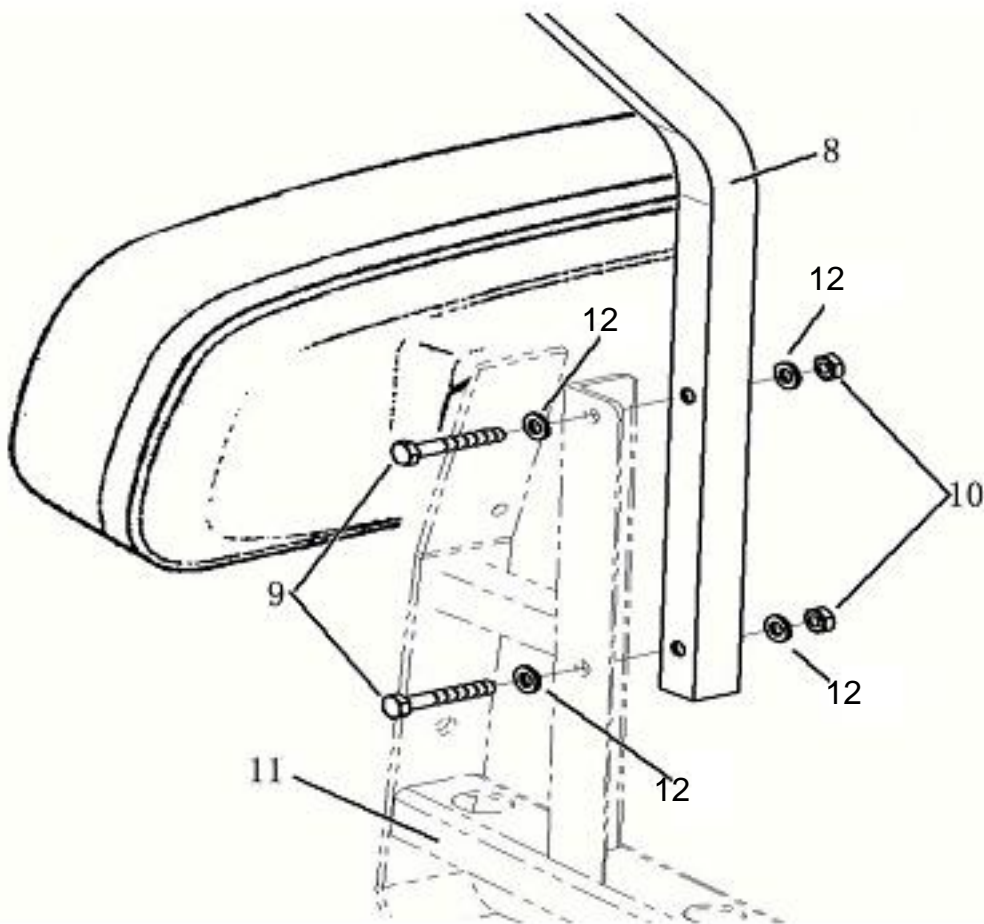
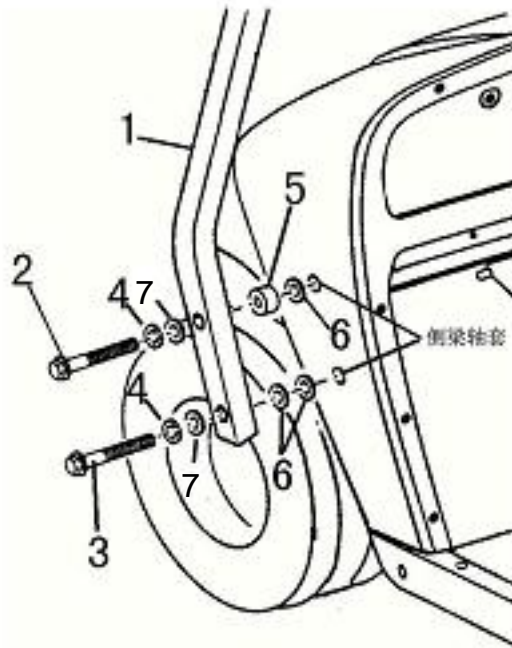
Steering



Steering

No.	Part #	Name	Name
1	HLP-340008	Tie Rod Assembly	2
2	HLP-340002	Left Front Spindle Carrier	1
2	HLP-340003	Right Front Spindle Carrier	1
	HLP-220016	Front Hub (Metric Lugs)	2
3	3.01.041822	Front Hub (Standard Lugs)	2
4	3.01.041802	Spindle	4
5	3.01.041802C	Internal Retainer ring	2
6	HLP-220010B	DAC 3060037	2
7	GB/T96 16	Big washer	2
8	GB/T6181 M16	Castle nut	2
9	GB/T91 4x28	Cotter Pin	4
10	GB/T91 2.5x20	Cotter Pin	4
11	GB/T9459 M10x1	Castle Nut	

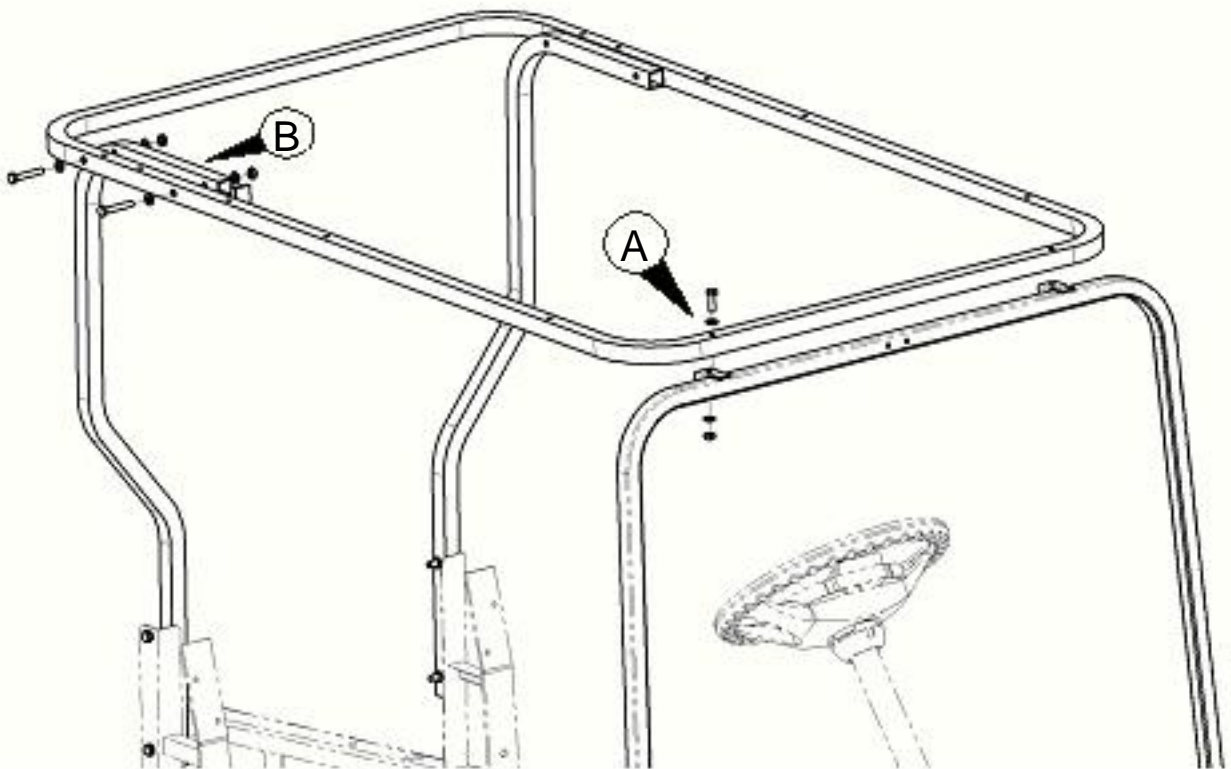
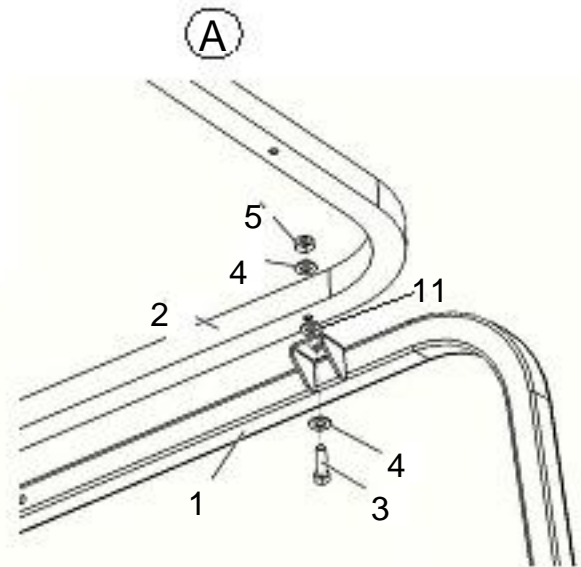
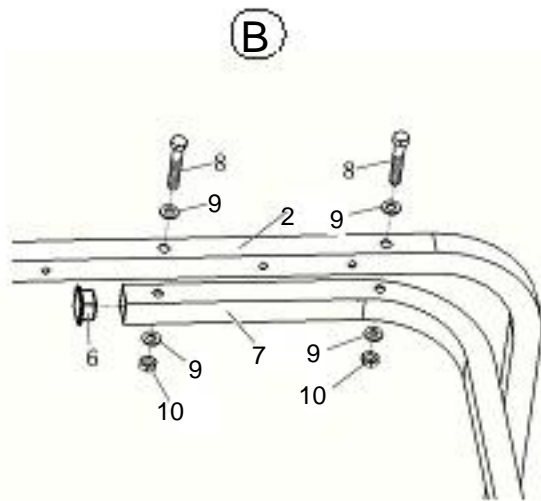
Seating and Top Assembly



Seating and Top Assembly

No.	Part #	Name	Amount
1	HLP-290044	2009 Front Strut	1
2	GB/T5782 M8X60 10.9	Front Strut Bolt	2
3	GB/T5782 M8X50 10.9	Front Strut Bolt	2
4	GB/T93 8	Lock Washer	4
5	3.01.040127	Front Strut Spacer	2
6	GB/T96 8	Washer	8
7	GB/T97.1 8	Washer	8
8	HEL2-5700001 Right HEL2-5700003 Left	Rear Strut	1- left 1- right
9	GB/T5783 M8X40	Hexagon Bolt	4
10	GB/T889 M8	Locknut	4
11	HEL2-6800410 Right HEL2-6800420 Left	Backrest bracket	1- left 1- right
12	GB/T97.1 8	Washer	4

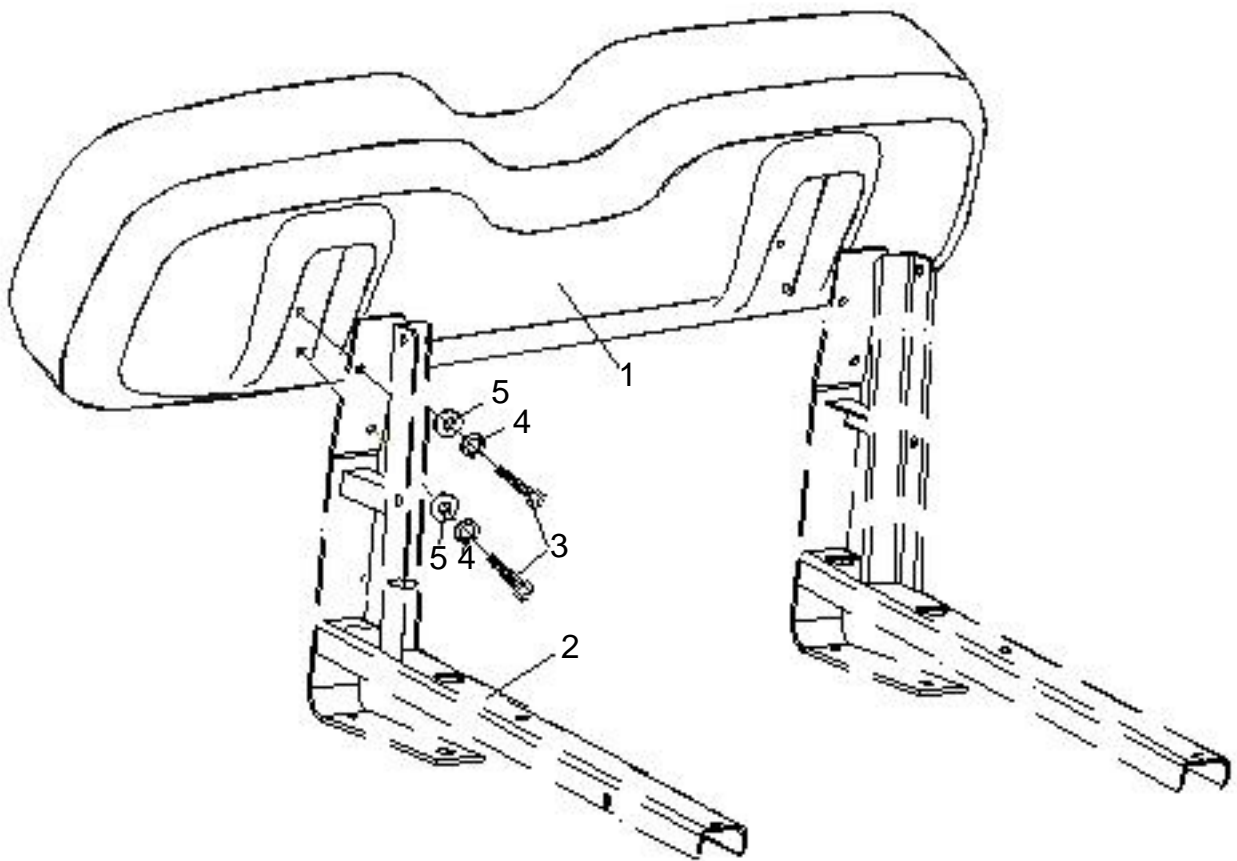
Seating and Top Assembly



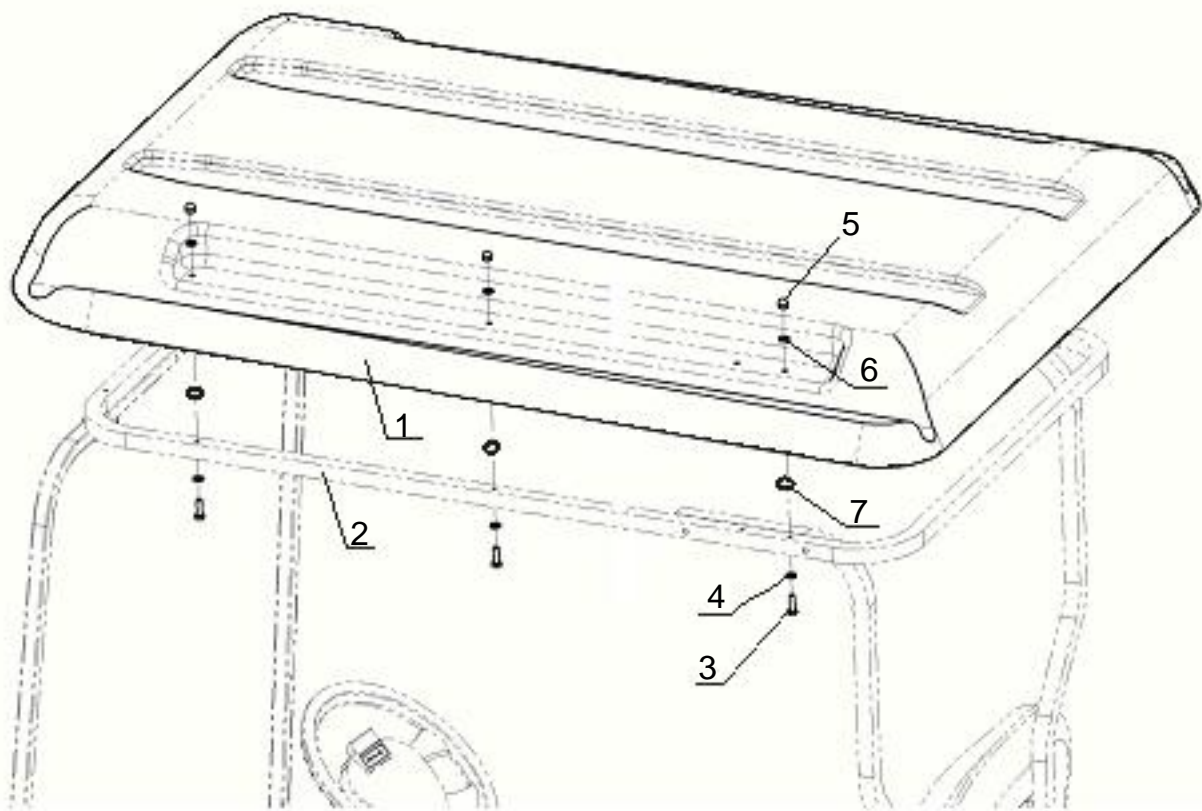
Seating and Top Assembly

No.	Part #	Name	Amount
1	HLP-290044	2009 Front Strut	1
2	3.01.041524	Top Frame	1
3	GB/ T5782 M6X45	Hexagon Bolt	2
4	GB/T97.1 6	Washer	4
5	GB/T889 M6	Locknut	2
6	3.03.040128	End cover	2
7	HEL2-5700001 Right HEL2-5700003 Left	Rear Strut	1 left 1 right
8	GB/T5782 M8X65	Hexagon Bolt	4
9	GB/T97.1 8	Washer	8
10	GB/T889 M8	Locknut	4
11	3.04.040096	Rubber washer	2

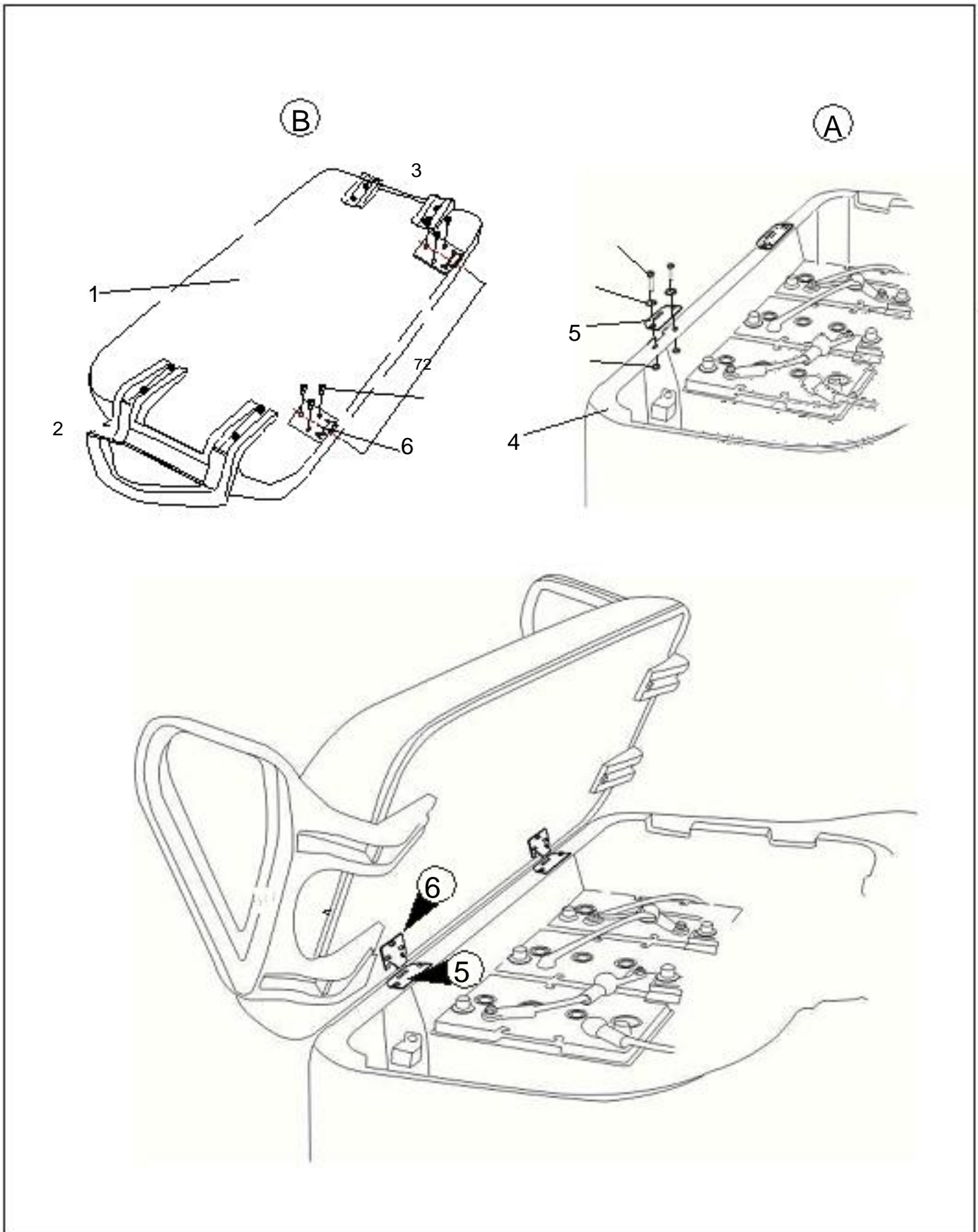
Seating and Top Assembly



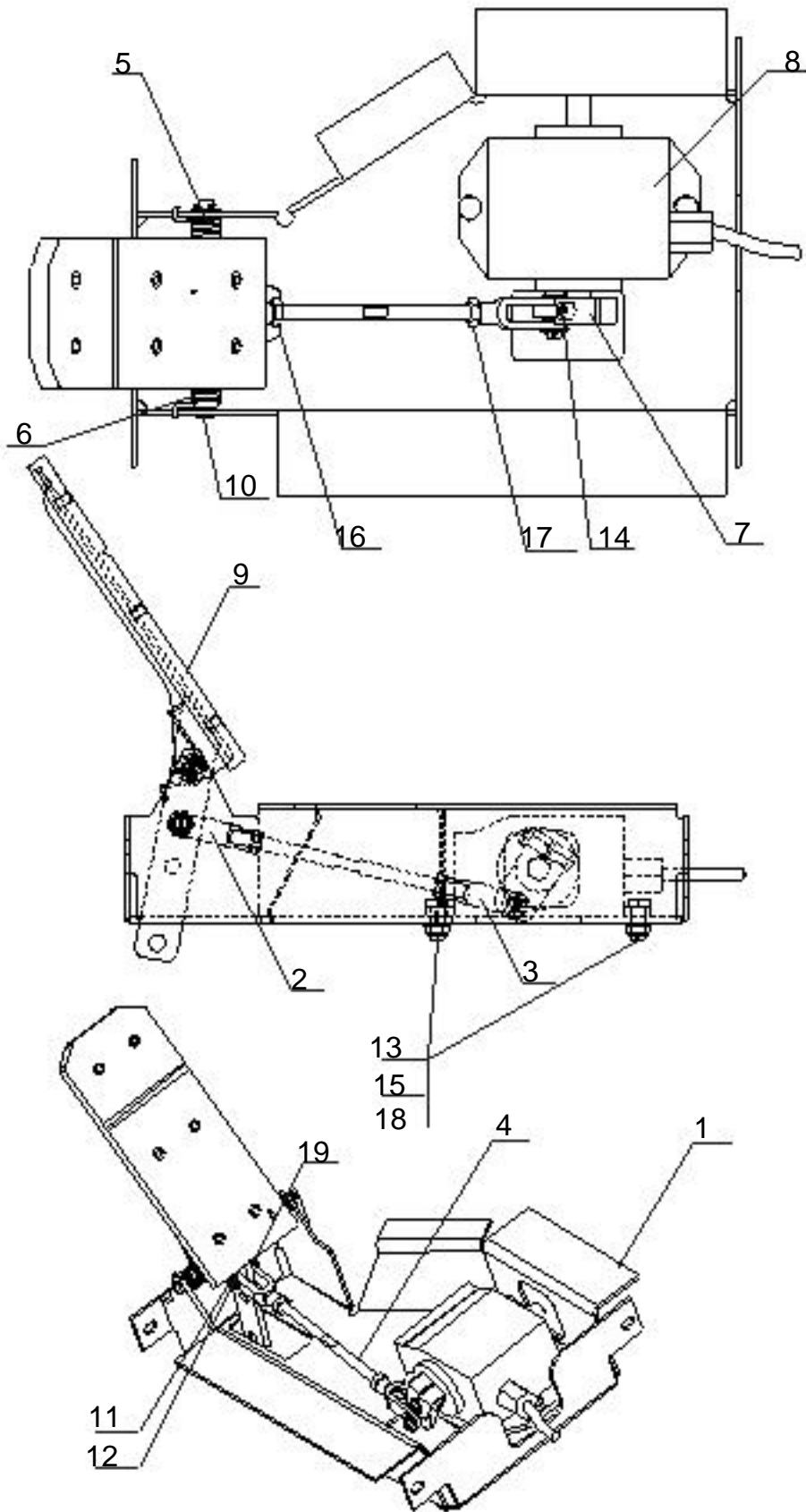
Seating and Top Assembly



Seating and Top Assembly



Accelerator



Accelerator

No.	Part #	Name	Amount
1	3.01.041671	Footplate box	1
2	3.01.210068	Front fork	1
3	3.01.210203	Rear fork	1
4	3.01.210060	Link	1
5	3.01.210051	Accelerator footplate reed	1
6	3.01.210052	Accelerator footplate reed	1
7	3.01.210215	Rocker	1
8	3.05.040578	Accelerator ASSY	1
9	3.01.040227	Accelerator footplate component	1
10	3.01.190040	Footplate axis pin	1
11	GB/T5783 M8×20	Fixation pin	3
12	3.03.160017	Jacket	1
13	GB/T5783 M8×20	Hexagon bolt	2
14	GB/T70 M6×30	Inner hexagon bolt	1
15	GB/T889 M8	Locknut	2
16	GB/T6170 M8	Nut	1
17	GB/T6170 M8	Nut	1
18	GB/T97.1 8	Flat washer	3
19	GB/T91 2.5×20	Cotter Pin	3