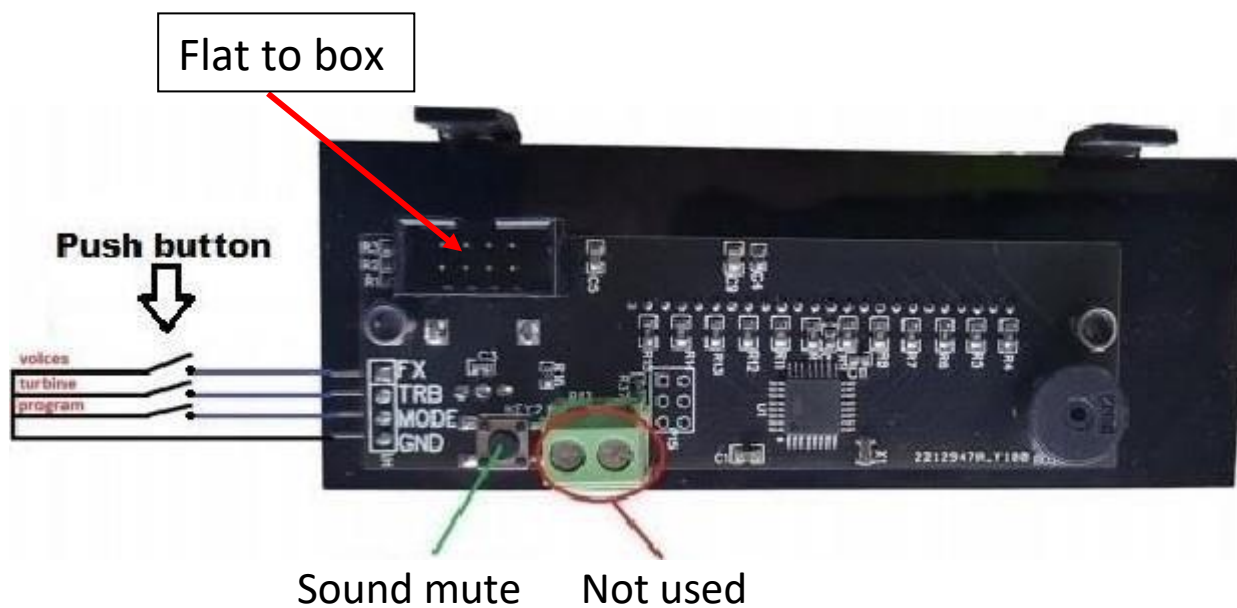
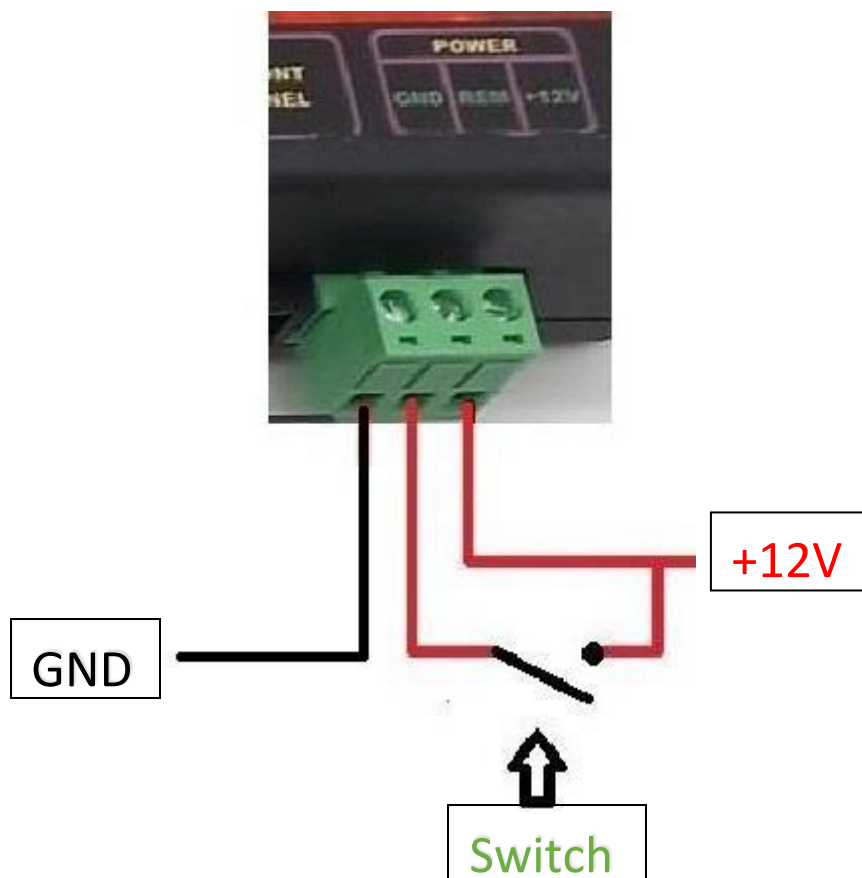


Scanner all in one user manual



Power connection



Remote control



Press "A" 1 time = on/off scanner (if REM is disconnected)
Press "B" 1 time = on/off turbine
Hold "B" 2 sec. = on/off scanner sound
Press "C" 1 to 10 times = play one of 10 voices
Hold "C" 2 sec. = on/off demo voices
Press "D" 1 time = change light program
Hold "D" 2 sec. = activate PIR
DON'T PRESS "A" and "B" together: this procedure resets your remote!

If the PIR is activated while the scanner is on, when someone is detected, plays one random sentence;
If the PIR is activated while the scanner is off, when someone is detected, plays one random sentence and the light is up until the sentence ends.

We recommend a 35W-40hm speaker

The power cable section from battery to the control box must be at least 4mm for halogen scanner (40 amp recommended fuse) and 2.5mm for LED version (20 amp recommended fuse)

Folders layout

001_turbine_start	5.579 KB	00:05:57
002_turbine_loop	5.184 KB	00:05:31
003_turbine_end	45 KB	00:00:02
004_ONdemo	2 KB	00:00:00
005_OFFdemo	3 KB	00:00:00
006_ONauto	4 KB	00:00:00
007_OFFauto	16 KB	00:00:00
100_voice (1)	120 KB	00:00:07
101_voice (2)	59 KB	00:00:03
102_voice (3)	129 KB	00:00:08
103_voice (4)	132 KB	00:00:08
104_voice (5)	102 KB	00:00:06
105_voice (6)	176 KB	00:00:11
106_voice (7)	61 KB	00:00:03
107_voice (8)	7 KB	00:00:00
108_voice (9)	113 KB	00:00:07
109_voice (10)	29 KB	00:00:01
demo		

do not delete these files

these are the files of the 10 selectable phrases, they can be freely replaced, as long as the file name starts with a numerical sequence starting from 100_ to 109_

this folder it contains the 100 phrases for the demo mode, can be replaced

001-007 system sound + turbine
100-109 voice effects
and a folder named demo with 100 tracks inside

the correct procedure is to create a folder on the pc
cut/past/copy to create the structure above
format the sd card fat32 + drag (not copy past) on the SD