

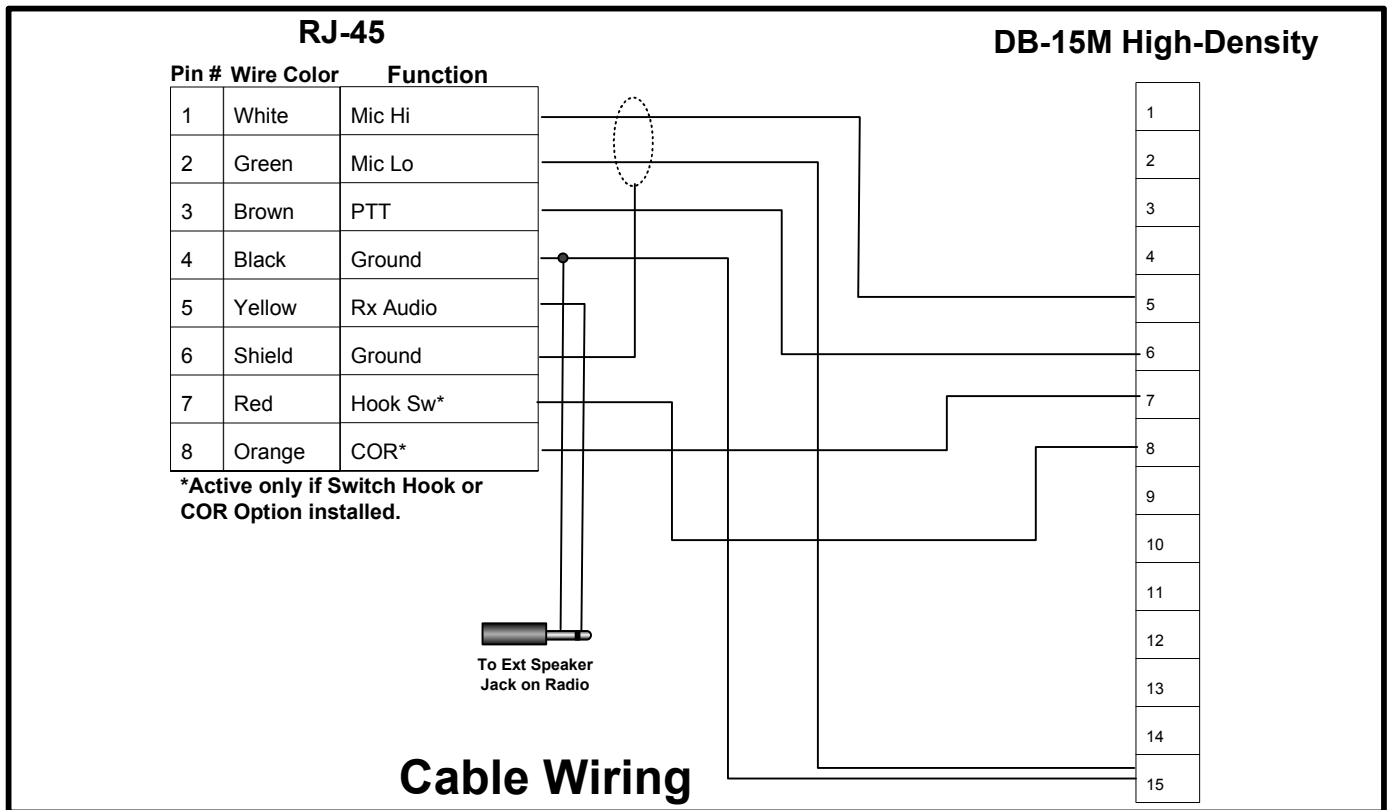
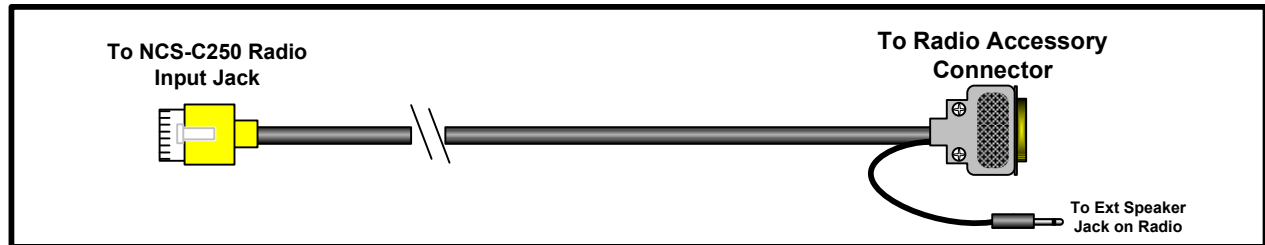
# Radio Interface Cable

For NCS-C250 Mobile Multi-Switcher

NCS Model Number  
**NCS-250-KTA-XX**

**Compatible Radios:**

TK-7302	TK-8302	TK-7360	NX-720
TK-7302H	TK-8302H	TK-8360	NX-820



**Notes:**  
 For radio models TK-7302, TK-7302H, TK-8302 and TK-8302H use the KPG-124D programming software QR for radio models TK-7360 and TK-8360 use the KPG-135D programming software QR for radio models NX-720 and NX-820 use either the KPG-141D or KPG-150AP (for Over the Air Programming) AND program the following functions on the indicated pins of the accessory connector:

1. Pin 6, FNC1 on ACC connector must be programmed for PTT
  2. Pin 7, FNC2 on ACC connector must be programmed for COR if COR option installed in NCS-C250
  3. Pin 8, FNC3 on ACC connector must be programmed for Hook Switch if Hook Switch option installed on NCS-C250
- NX-720/820 Radio Modification:** The signal input on pin 5 of the DB-15 Acc connector must be changed from DI (DATA INPUT) to MI2 (MIC INPUT 2). This is accomplished by removing R797 (0 Ohm) and soldering the 0 Ohm jumper in location R799. This jumper is located on the RX/TX board. Refer to the Kenwood Service Manual for exact location.
- Additional programming required:** In the radio programming software The "External Function Modulation Line" must be programmed to enable the accessory connector mic input. Additionally, External PTT must be enabled.