



Dixie Overhead Shelving

Organize your garage today, park in it tomorrow!

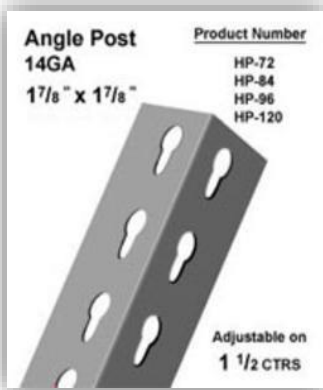
Ph: 713-294-4168 email: thomas@dixieoverheadshelving.com

Installation Guide for Overhead Shelving

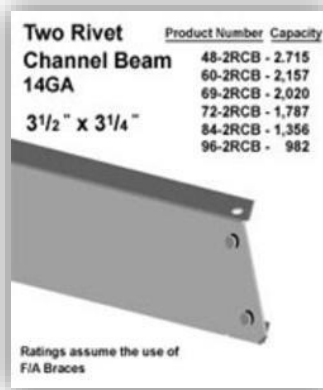
1. Anchor angle post (cleat) to ceiling joists (see photo A)
2. Attach vertical angle posts to cleats (see photo A)
3. Attach 2 rivet beans to the bottom of angle post (see photo B)
4. Attach fore & aft braces for support (see photo C)
5. Place wire decks across 2 rivet channel beams (see photo D)

Materials required for install

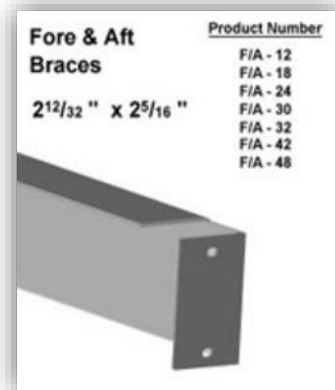
A



B



C



D



Installed Shelving

