

SERIES GB GENERATORS

**4 POLE, 1800 RPM
THREE PHASE
20kW – 45kW**



- **20 to 45 kW, brushless, three phase, 12 leads, 480V, 60Hz**
- **IP23 (drip proof) construction**
- **12 leads, reconnectable**
- **Continuous duty ratings**
- **Excellent motor starting**
- **Electronic Voltage Regulator $\pm 1\%$**
- **Robust welded steel housing**
- **Oversized bearing pre-lubricated for life**
- **Insulation class H, vacuum impregnated and tropicalized**

GB SERIES (THREE PHASE)



BRUSHLESS SYNCHRONOUS GENERATORS WITH AVR

RANGE: 20 kW – 45 kW

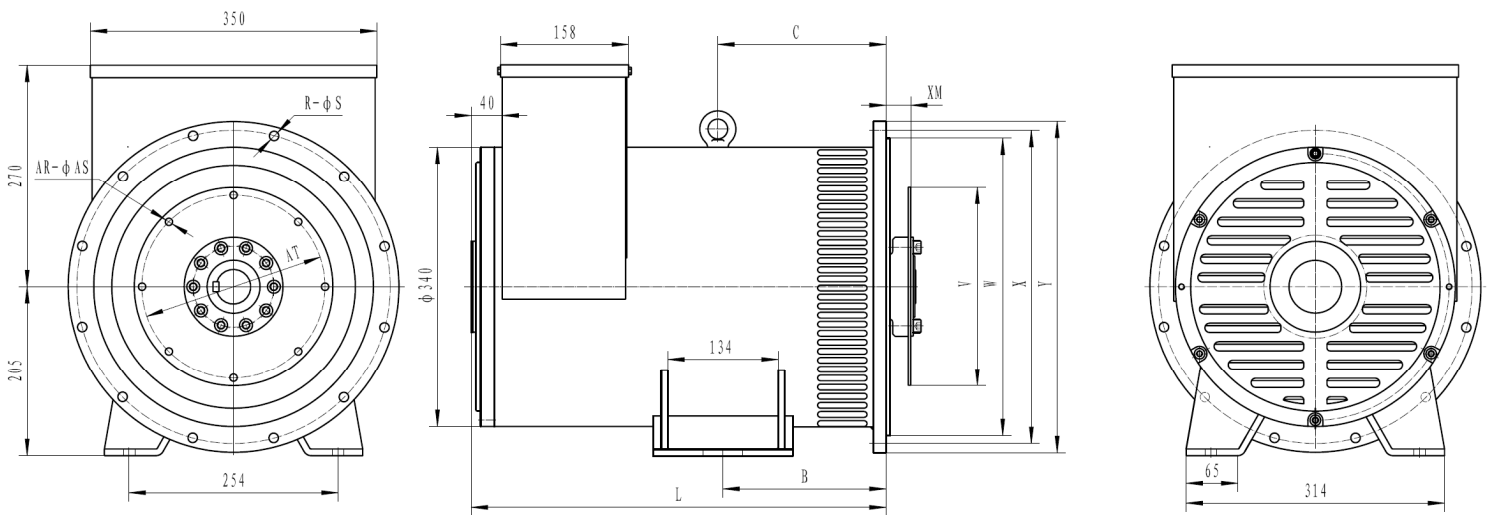
TEMP. RISE: 105°C at 40°C ambient temp.

VOLTAGE: 480V, 12 leads
(400V, 12 leads)

FREQUENCY: 60Hz, 1800 RPM, P.F.=0.8
(50Hz, 1500 RPM, P.F.=0.8)

MODEL	GB180-20	GB180-25	GB180-30	GB180-40	GB180-45
Power (kW)	20	25	30	40	45
Weight (lbs)	140	150	168	205	216

Generators conform to IEC recommendations 60034-1 and NEMA standard.



TYPE	L	B	C	50Hz, 1500RPM, 400V		60Hz, 1800RPM, 480V	
				kVA	kW	kVA	kW
GB180-20	455	198	190	20	16	25	20
GB180-25	455	198	190	25	20	31	25
GB180-30	505	198	210	31	25	37.5	30
GB180-40	575	250	240	40	32	50	40
GB180-45	575	250	240	45	36	56	45

COUPLING DISC

SAE no.	XM	AR	AS	AT	V
6.5	30.2	6	9	200	215.8
7.5	30.2	8	9	222.2	241.2
8	61.9	6	11	244.5	263.4
10	54	8	11	295.3	314.2
11.5	39.7	8	11	333.3	352.3

FLANGE

SAE no.	R	S	W	X	Y
3	12	12	409.5	428.6	451
4	12	12	361.9	381	403

The company reserves the right to change specifications without prior notice.

COLISEUM ELECTRIC CORP
4087 Hearthstone Drive
Sarasota, FL 34238

Phone: (941) 966-9370
Fax: (941) 296-7433
sales@coliseumelectric.com