

Mathematics Quiz ~ 7th Grade

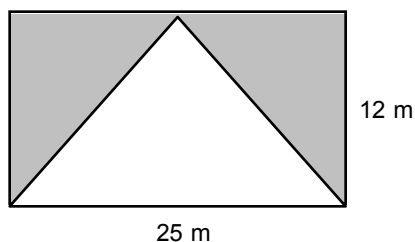
ACADEMIC STANDARD: MEASUREMENT

Finding Areas of Cutout and Shaded Figures

(Benchmark C, Indicator 7b)

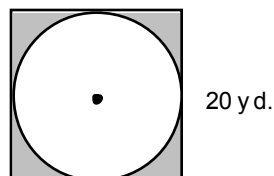
Find the area of each shaded region. Justify your answer by showing your work. (Use $\pi = 3.14$.)

1) Given: rectangle and triangle



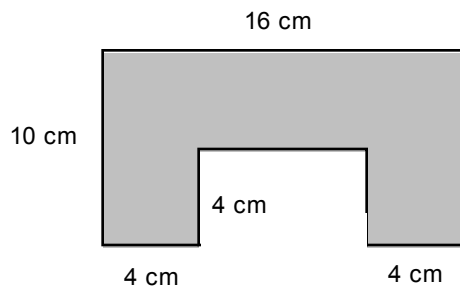
Area: _____

2) Given: square and circle



Area: _____

3) Given: rectangle and rectangular cutout



Area: _____

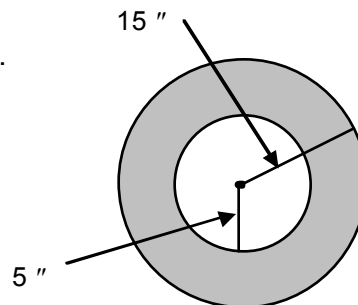
4) Given: rectangle and circular cutout



Area: _____

WRITTEN RESPONSE QUESTION:

5) Find the shaded area. Justify your answer by showing all your work.



NAME: _____ Date: _____ Score: _____