

# Balanced and Unbalanced Forces

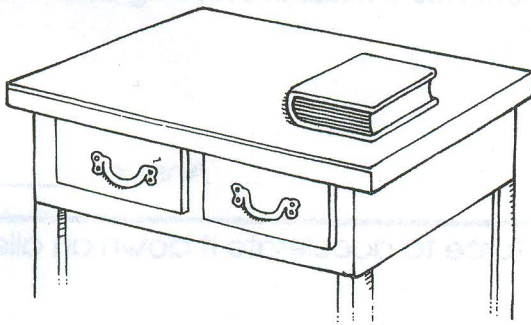
Forces can be balanced or unbalanced. Use the terms in the word box to label the diagrams. One word is used twice.

gravity  
balanced

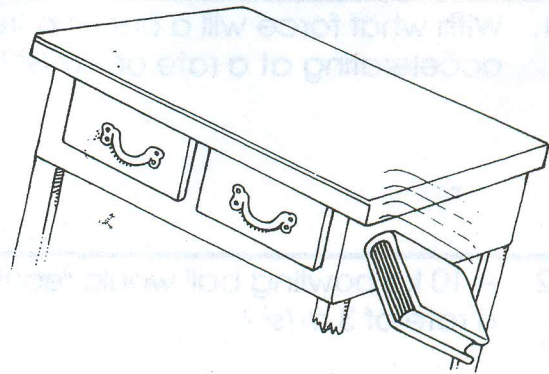
table  
unbalanced

rest  
accelerate

1 Forces are \_\_\_\_\_.



5 Forces are \_\_\_\_\_.



2 \_\_\_\_\_ pushes down.

3 \_\_\_\_\_ pushes up.

4 The book remains at \_\_\_\_\_.

6 \_\_\_\_\_ is the greater force.

7 The book will \_\_\_\_\_ toward the floor.

Match each term in the word box to its definition.

balanced

equilibrium

inertia

state of motion

zero

8 \_\_\_\_\_ Describes forces working upon an object that are of equal magnitude and come from opposite directions.

9 \_\_\_\_\_ The tendency of an object to resist changes in its state of motion.

10 \_\_\_\_\_ An object at rest has this velocity.

11 \_\_\_\_\_ This describes an object's velocity, or speed with a direction.

12 \_\_\_\_\_ When all the forces acting upon an object balance each other, the object will be in this state.

