

Pristine

Roller Shade MSRP



Photograph courtesy of Phifer



Proudly Made In America

**PORTER
PRESTON**

Fabricator of Automated & Custom Window Coverings

Table of Contents

Page

Measuring & Ordering

Selecting the Type of Mounting.....	1
Fabric Deductions & Light Gaps.....	1
The Wrap- Do I add the fabric that wraps around the tube?.....	2
Fabric Tracking & Telescoping.....	2
Railroading.....	2
Seams.....	2
Regular Roll or Reverse Roll?.....	2
Safety Hold Tension Device.....	3

Shade Options

Clutch and Bracket Selection.....	4
Roller Shade Control Options	
Clutch.....	5
Spring Assist.....	5-6
Chain Options.....	6
Cordless Spring Rollers.....	7-8
Spring Roller Shade.....	9
Hem Bar Options.....	9
Skyline Bottom Up Roller Shades.....	10
Roller Shade Valance Closure Options	
Soft Valance.....	11
Inserted Fabric Valance.....	11
3" Uncovered Skyline Fascia Valance.....	11
3" & 4" Uncovered Square Aluminum Fascia Valance.....	12
3", 4" and 5" Fabric Wrapped Square Fascia Valance.....	12
Universal 5" Fascia System.....	13
7" Square Fascia System.....	14
Cassette 100 and Cassette 120.....	15-16
Lower Access Fascia/Flap & Hanger.....	17
3", 4", 5", 6" Shade Box Valance with Bottom Closure.....	18
Side Rails, Sill Channel & Zip Tracks.....	19

Motorization

Battery Powered.....	20
Rechargeable Solar Battery Pack.....	21
Wired.....	22-24
Controls.....	25-26
myLink RTS Smartphone and Tablet Interface.....	27-28
QMotion.....	29-30

Shade Material

Solar Screens, Translucents, Blackouts.....	31
The Glow Effect.....	32
Shade Roll-Up Diameters.....	32
Roller Shade Fabrication Chart.....	33
Fabric Specifications.....	34-35

MSRP	36-44
-------------------	-------

Warranty	45
-----------------------	----

Selecting the Type of Mounting

Determine whether the roller shade is going to be installed inside the window frame or outside the window frame.

Inside Mount (IM) or Inside Bracket (IB)

Inside mount installations are mounted inside a window frame or some other recessed area.

Measuring Width and Length for Inside Mount

Width: measure across the top, middle, and bottom of the window opening. Using the narrowest dimension, measure to the nearest 1/8". By using the narrowest measurement the shade will operate correctly.

Length: measure the vertical dimension of the left, center and right side. Use the longer measurement, measure to the nearest 1/8". The factory will make the appropriate deductions from your measurements on both the tube and the fabric. Do not make any width or length deductions or additions.

Outside Mount (OM) or Outside Bracket (OB)

Outside mount installations are mounted on the wall, ceiling or on the window molding.

Measuring Width and Length for Outside Mount

Width: measure the width of the window opening from left to right and add as many inches as desired for maximum light gap coverage and privacy. If the shade is to be mounted to trim or framing around the window measure from the trim's outside edge left to right. The factory will make deductions from your measurements on both the barrel and fabric. Once you determine the desired width, round to the nearest 1/8".

Length: measure the window opening from top to bottom and add as many inches as desired to this measurement to allow space for mounting brackets above the opening and enough overlap at the bottom to avoid a light gap. Once you determine the desired height, round it to the nearest 1/8". The factory will make the appropriate allowance for the fabric wrap on the roller tube. If there is trim or framing around the window, measure from the trim's outside edge top to bottom, provided the trim provides the flat space required for an outside mount. If not you can mount the shade to the wall above the trim. In addition, if the window sill protrudes outside the window opening at the bottom of the window measure just to the bottom of the sill.

Confirming Measurements

It is standard to order width first and length second. The most common error in ordering roller shades is reversing the width and length measurements. Always confirm that the width is the measurement that goes across from left to right and that the length is the measurement that goes from top to bottom.

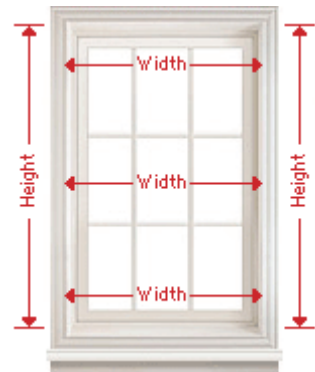
Fabric Deductions & Light Gaps

It is extremely important to note when measuring for roller shades that the actual fabric width of the shade will be less than the window measurement provided. To allow for the space that the shade brackets, clutch or motor, and the idler end take up, the factory must make a deduction so that the finished measurement or bracket to bracket measurement of the shade fits into the width dimension provided.

Please note the below deductions taken by the factory for roller shades without valances.

Type of Shade Operation	Fabric Width Deduction
Wood Spring Roller OB	-1"
Wood Spring Roller IB	-1 1/8"
R-Series Clutch 1 1/4" tube OB	-1 1/4"
R-Series Clutch 1 1/4" tube IB	-1 3/8"
R-Series Clutch 1 1/2" tube OB	-1 3/8"
R-Series Clutch 1 1/2" tube IB	-1 1/2"
R-Series Clutch 2" tube OB	-1 1/2"
R-Series Clutch 2" tube IB	-1 5/8"
Skyline Clutch OB	-1 1/4"
Skyline Clutch IB	-1 3/8"

Please Note: When a shade is over 100" in width or length an additional 1/8" is deducted from the fabric width



IB Measuring



OB Measuring

Shade Measurements: (Critical Note)

If a specific fabric width is required, please make it explicitly known that this is fabric width. We suggest that this only be done for outside mounts.

Measure Twice.....Because We Cut Once!

“The Wrap” - do I have to add the fabric that wraps around the tube?

The wrap is the amount of fabric that is added to the window opening length by the factory. The wrap will be added to the window opening size. When measuring the length of the shade measure from the top to the bottom of the window opening. Do not include any extra for the wrap, as this extra material is included automatically by the factory. The standard wrap for motorized and clutch roller shades is 10”. The standard wrap for spring roller shades is 12”.

Fabric Tracking & Telescoping

Roller shades that exceed a 3 to 1 length to width ratio meaning the shade is more than 3 times longer than it is wide, may have problems tracking or rolling up straight (think of putting paper towels back on the roll). This tracking issue, commonly referred to as telescoping, is an inherent characteristic of roller shade fabrics and should be explained to the end user.

Railroading

In order to make a shade that is wider than the fabric roll width, the fabric will be railroaded or turned sideways and cut to the width of the shade. Note: when railroaded you may see “curling” on the outer vertical edges of the shade. If curling is objectionable consider using a different wider fabric or battens (See Price Grid 11 page 39)

Wide Shades Shades over 126" may exhibit certain aesthetic characteristics such as smile lines, waves, wrinkling on the tube that could result in permanent damage to the fabric. Please consider speaking to Customer Service about splitting your shade with the use of couplers.

Seams In cases where the fabric is wider *and* longer than the width of the fabric roll, a second piece of fabric will be cut and welded (spliced) to the first fabric piece. A “Roman Look Roller Shade” is a perfect way to hide a seam as Pristine’s joint seams and “Roman Look” seams are practically indistinguishable.

Roller Shades... Regular Roll or Reverse Roll ?

Regular Roll

Regular roll shades indicate that the shade fabric rolls off of the back of the roller tube. The shade cloth will be closest to the window with this option.

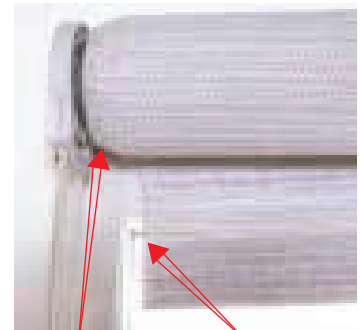
Regular roll shades are industry standard and yield the highest levels of energy conservation because of the shade’s close proximity to the glass.

Reverse Roll

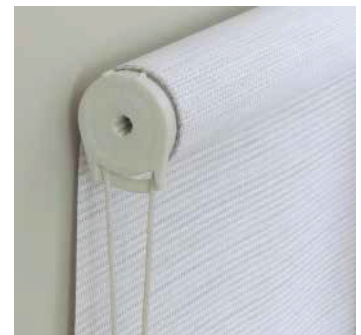
Reverse roll shades indicate that the shade fabric rolls off the front of the roller tube. The shade cloth will be furthest away from the window with this option.

Reverse roll shades are most commonly used for the following applications:

- To avoid window obstruction (door handle, etc.)
- To reduce light gaps for corner or bay windows



Telescoping and Tracking



Regular Roll



Reverse Roll

RollEase®

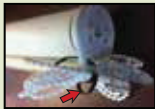
SafetyHold™

Bead Chain or Cord Loop Hold Down Device



Safety Instructions:

A WCMA 5.2.3 Warning Tag (available from RollEase®) must be fastened to the device prior to shipping.



The SafetyHold3 must be secured to the clutch or headrail to make the shade inoperable without purposeful action of installer.



Use appropriate anchors when installing.

Installation Instructions:

To ensure safety, SafetyHold3 must be installed properly following these five steps.



1 Thread bead chain (or cord) through base and around guide (flat side of base facing guide).



2 Push insert into guide until rounded edge is resting on the bead chain. (For cord, flip insert so opposite side with serrated edge is resting on cord.)



3 Squeeze guide legs while sliding spring over guide completely. (Be sure spring is all the way over the legs of the guide).



4 Slide base, flat side down, over curved end of guide.



5 Using screws provided, attach to wall, allowing some slack for bead chain connectors to slide through easily.

Patented Device:

RollEase offers this patented device for cord loops and bead chain loops. SafetyHold3 complies with the WCMA-ANSI standard 6.5 that requires a hold-down device to make the shade partially inoperable unless the hold-down device is installed.

The hold-down device is designed for continuous cord or bead chain loops that allows stop balls and/or connectors to pass through.

Parts Included:



Test Data:

- Meets WCMA standards for hold down devices.
- Tested to ensure 10 year life of product.



Child Safety

Child safety is of the utmost importance to Porter Preston. That's why we use warning tags and warning labels to highlight the potential hazards of corded window coverings. The tags and labels are attached to every one of our corded window treatment products. Porter Preston suggests choosing cordless alternatives or products with inaccessible cords.

Window Cord Safety

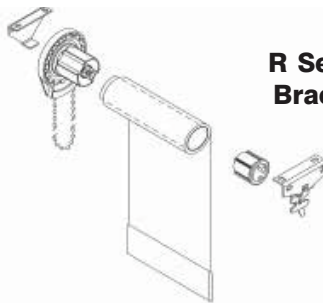
Parents and caregivers should pay close attention to window cord safety and the danger of children becoming accidentally entangled and possibly strangled in the window cords. Strangulation can occur when a child or pet places his or her neck between the exposed lift cord and the fabric on the back side of the shade.

Clutch & Bracket Selection

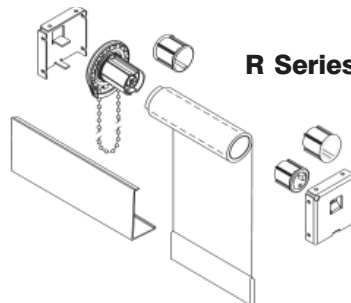
To determine the clutch and tube used by the factory for a specific shade, refer to the **Roller Shade Fabrication Chart** on page 33.

R Series clutch and pin colors are black & white ♦ R Series bracket colors are zinc, black and white ♦

R Series fascia bracket colors are gray, black, bronze, vanilla and white ♦ R Series square fascia face plate colors are silver, black, bronze, vanilla and white



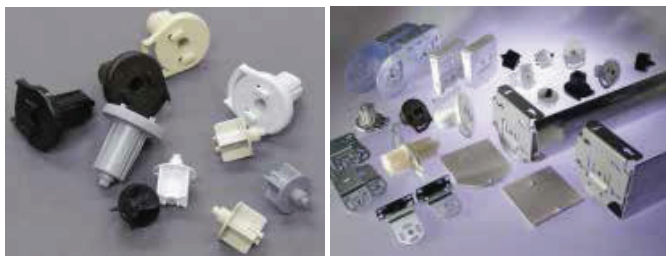
R Series Bracket



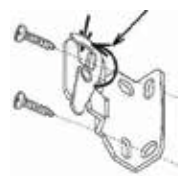
R Series Square Fascia Plate

Skyline clutch and pin colors are black, brown, cream, grey, vanilla and white ♦ Skyline bracket colors are silver, black and white ♦ Skyline bracket cover colors are black, brown, cream, grey, vanilla and white ♦

Skyline fascia bracket colors are black, brown, grey, vanilla and white



Skyline Hardware



Universal R-Series Bracket



Universal Skyline bracket



Shown for a Wall Mount Application

Shown for a Ceiling Mount Application

Clutch	Bracket	Ceiling Mount Installation		Wall Mount Installation	
		Projection	Height	Projection	Height
R-8	RB360	1 7/8	2 7/8	2 3/8	2 3/8
R-8	RB360	1 7/8	3 3/8	2 7/8	2 3/8
R-16	RB560	2 5/8	3 1/8	2 15/16	3 1/4
R-16	RB560	2 11/16	4	3 7/16	3 1/4
R-24	RB580	3 9/16	4 5/8	3 7/8	4 5/16
SL-10	SLB660	2 1/4	3	2 5/8	2 3/8
SL-15	SLB660	2 1/4	3 1/8	2 3/4	2 5/8
SL-20	SLB660	2 3/4	3 1/4	3	3 1/8
SL-10	SLB680	2 3/16	3 1/2	3 1/8	2 3/8
SL-15	SLB680	2 1/4	3 5/8	3 1/4	2 5/8
SL-20	SLB680	2 11/16	3 3/4	3 1/2	3 1/8
R-Series/Skyline	3" Fascia	3	3	3	3
R-Series/Skyline	4" Fascia	4	4	4	4
R-Series/Skyline	5" Fascia	5	5	5	5

*Please note: Measurements for Ceiling Mount Installation take into account the width of the clutch as part of the overall projection but does not take into account the roll diameter which may be greater. The height is the distance from the foot of the bracket to end of the mounting bracket.

*Please note: Measurements for Wall Mount installation take into account the distance from the foot of the bracket to the end of the clutch for the overall projection but does not take into account the roll diameter which may be greater. The height is determined by the overall height of the clutch. (All other dimensions are overall net dimensions)

Roller Shade Control Options

Pristine Roller Shades can be operated by either standard clutch, spring assist, spring roller or motorized options.

Standard Clutch Roller Shade

This roller shade is operated manually with a self-lubricating clutch mechanism. With a continuous loop control chain, shades can be rolled up, exposing a room to sunlight, or down to filter or block out the sunlight from entering the room.

Outdoor Clutch: Featuring Stainless Steel interior components and warranted for 10 years(See Price Grid 11 Pg 39)

Galaxy Clutch: An option other than a Spring Assist is a Galaxy Clutch. These are gear reduction clutches that will reduce the pull forces required to operate larger shades.

Caution:

Most clutches operate on a 1:1 gear ratio: meaning you pull chain 2 feet the shade moves 2 feet. By nature a Galaxy clutch, in order to reduce the pull force, will have up to 2 feet of chain pull to 1 foot of shade movement. As a result a chain stop cannot be used.

Two Models of Galaxy Clutches are available:

MSRP

- G-200, for 1 1/2" & 2" tube
- G-400, for 1 1/2", 2", 2 1/2" & 3" tube

- Price Grid 11 pg 39
- Price Grid 11 pg 39

Spring Assist

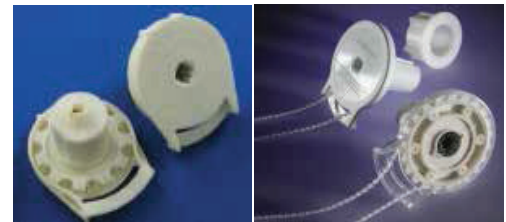
When shades get larger even with stronger clutches the pull forces required get greater. Pristine offers 2 different spring assist systems to help: pin end spring assist & clutch spring assist.

When a shade is lowered, gravity is used to coil a spring attached to the pin-end side of the shade. When the shade is raised the coiled spring assists the operator by reducing the pull force required up to 40%. The pin end spring assists are available with 1 1/2 "tubes.

The clutch side spring assists come in 2 sizes and will also add to the minimum width of the shades. These additions to the minimum width of the shades are usually not an issue as they are used on larger shades anyway.



Rollease Skyline Clutches



R Series Clutches Galaxy Clutches



Outdoor R Series Clutch Skyline Outdoor Clutch



Pin End Spring Assist Galaxy Geared Spring Assist

Spring Assists (continued)

Spring Assist	Tube Diameter	Pull Reduction	Max Drop	Minimum Shade Width	MSRP
R-Series Pin End Spring Assist	1-1/2"	to 40%	116"	24"	Price Grid 11 pg 39
Skyline Pin End Spring Assist	1-1/2"	to 40%	116"	24"	Price Grid 11 pg 39
R-Series & Skyline Spring Assist 36"	1-1/2" & 2"	to 6 lbs.	TBD	58"	Price Grid 11 pg 39
R-Series & Skyline Spring Assist 45"	1-1/2" & 2"	to 6 lbs.	TBD	58"	Price Grid 11 pg 39

Chain Options

Nickel Plated Steel (standard)
White, Off-White, Clear or Black Plastic

Surcharge Applies. Price Grid 11 pg 39

- Dungeon
- Gun Metal
- Aluminum
- Yellow Brass
- Mystic Red
- Medieval Brass
- Stainless Steel
- Antique Bown

CHAIN FINISHES



CHAIN CONNECTORS



OPEN BALLS



RollEase

CORDLESS SPRING ROLLERS



Child And Pet Safe Solutions And A Neater Appearance With No Messy Cords

EasySpring Plus: Superior

Performance, Wide Selection, Child and Pet Safe

See Price Grid 11 Pg 39 for Pricing

Both EasySpring and EasySpring Plus cordless spring rollers eliminate concerns about safety and aesthetics often associated with a dangling cord and comply with WCMA/ANSI standards making roller shades safe for both children and pets.

The durable construction of the EasySpring Plus ensures years and years of reliable performance. Our unique cordless lift system is manufactured with just a few parts making it easy to assemble and quick to install. The EasySpring Plus's tight and secure fit into shade headers prevents shades from popping out of brackets.

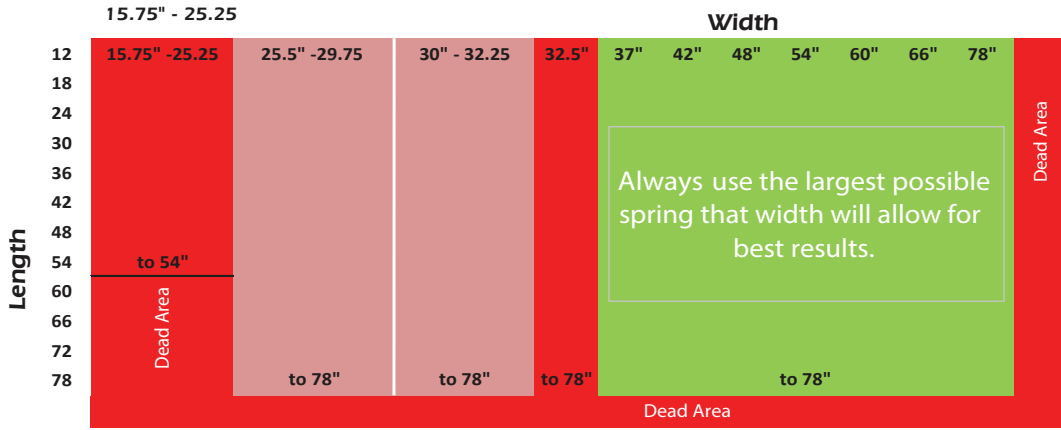
EasySpring Plus offers a variety of systems—including options on tube and spring sizes, single and dual shade applications, and adjustable wheel brackets—making it the perfect choice for any shade application in homes, offices, planes, yachts, and other recreational vehicles.

- Child and pet safe
- Sleek window shade appearance
- Easy-to-assemble in your fabrication area and quick to install
- Available for shades up to 78" wide
- Single and Dual shade options
- 5 systems to choose from
- 2 bracket choices
 - With side adjuster for minimal light gap
 - With adjuster wheel for easy after installation adjustments
- 1½" (38mm) diameters
- 3 spring sizes for each tube size - for very small to very large windows*
- Speed reducer built into spring
- Use with Cassette 100 or Cassette 120 for a clean, polished look

Note 1: EasySpring Plus Max Roll Diameter is 2 3/8" Note 2: No fascia available but soft valance is available

**If you require different spring sizes, please contact your Porter Preston Customer Support Representative to discuss special orders.

EasySpring Plus Rollershade Chart



No Spring Available	
1.7 X 550mm (1.5")	RE0084400
1.5 X 450mm (1.5")	RE0080500
1.2 X 300mm (1.5")	RE0081400

Spring Size/Bracket Configuration	Spring Selection	Stopper (Idler)	Minimum Roller Shade Width (inches)
38mm (1.5") with Adj. wheel bkacket	1.2mmX300mm RE0080400	Regular 1.5" RE0081400	25 7/8
38mm (1.5") with Adj. wheel bkacket	1.5mmX450mm RE0080500	Regular 1.5" RE0081400	32 1/2
38mm (1.5") with Adj. wheel bkacket	1.7mmX550mm RE0084400	Regular 1.5" RE0081400	36 5/8
38mm (1.5") with Non Adj. wheel bkacket	1.2mmX300mm RE0080400	Regular 1.5" RE0081400	24 7/8
38mm (1.5") with Non Adj. wheel bkacket	1.5mmX450mm RE0080500	Regular 1.5" RE0081400	31 1/2
38mm (1.5") with Non Adj. wheel bkacket	1.7mmX550mm RE0084400	Regular 1.5" RE0081400	35 5/8

Spring Roller Shade

This roller shade is operated by a heavy-duty spring mechanism. Spring roller shades up to 79 1/4" will be made using wood rollers unless specified differently. By pulling on a handle or draw cord attached to the hembar, shades can be rolled up, exposing a room to sunlight, or down to filter or block out the sunlight from entering the room.



Premium Wood Rollers

Minimum Width:	18"
Maximum Width:	96" (Suggested)
Minimum Height:	18"
Maximum Height:	96" (Suggested)

How to adjust the spring tension on a roller shade

The tension on the spring of your roller shade is already preset at my workshop. However, if you wish or need to make any further adjustment, these procedures will work and are the correct way to do so.

A: To Increase lifting power:

- 1) With the shade in the window, pull the shade part way down
- 2) Remove it from the mounting brackets and roll it half-way or so up
- 3) Replace it in the brackets of the windows and try it for tension and length that it will go down without being over-taught (unable to roll down anymore). Do not force it if it does not want to move downward as it is now over-wound - instead now try decreasing the tension as follows:

B: To Decrease lifting power:

- 1) With the shade in the window, roll the shade all the way up
- 2) Remove it from the mounting brackets and roll it half-way down or so
- 3) Replace it in the brackets of the windows and try it for proper lift & drop tension and travel distances top to bottom.

Note: If the shade will not travel all the way to the top, then the spring tension needs to be increased - follow procedure A.

If the shade will not travel all the way to the window sill or beyond, then the spring tension needs to be decreased - follow procedure B.

Hem Bar Options

- a. **Heatsealed Hembar:** This is Pristine's standard hembar. A weighted aluminum weight bar is inserted into a 1 1/2" heatsealed pocket. **The ends of the pocket are available sealed upon request for no additional charge.** Heatsealed hembars are included in all contract quotes.
- b. **External Hembar:** The External Hembar is an exposed aluminum hembar (see Price Grid 11, Page 40)



Heatsealed Hembar

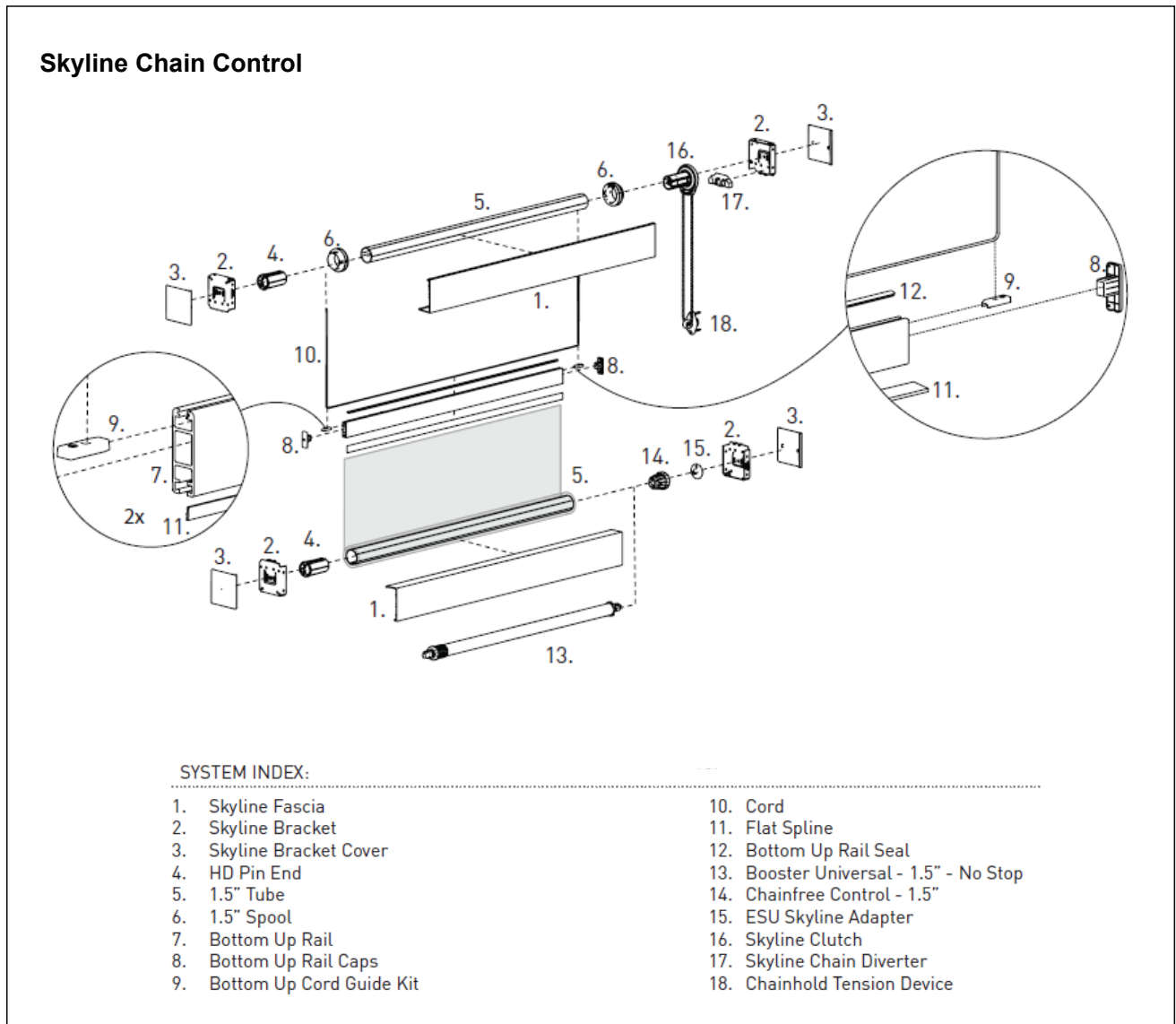


External Hembar

Skyline Bottom Up Roller Shades

Bottom up shades let the light in from the top of the window while shading the bottom section for privacy. This shade utilizes Skyline hardware combined with an innovative cord adjusting system to ensure a self-leveling hem bar. A geared clutch makes the system operation effortless.

See Price Grid 11, Pg 39 for MSRP



Roller Shade Valance Enclosure Options

Soft Valance

The soft valance is made out of the same fabric as the roller shade. The fabric valance has both a top and bottom pocket. The top pocket has a piece of wood inserted and the bottom pocket contains the same metal slat in the pocket as the roller shade. Screw through the top pocket and wood to mount the soft valance. The standard length is 6". It can be made any length up to 9" without a surcharge.

Roll: Available for regular roll and reverse roll shades
Color: Valance fabric matches shade fabric
Mount: Inside only (it does not have returns)
Maximum Width: 216"
See Price Grid
11 Page 40



Soft Valance

Inserted Fabric Valance

The Inserted Fabric Valance is a traditional dust cover vertical blind valance that uses 3 1/2" strips of roller shade fabric inserted into the groove channel of the valance. This valance features a continuous corner return that prevents the valance returns from separating from the valance. OB option requires separate brackets, nuts and bolts to attach valance to brackets.

Roll: Available for regular roll and reverse roll shades
Color: Valance fabric matches shade fabric
Mount: Inside or Outside
Maximum Width: 192"

See Price Grid 11
Page 40

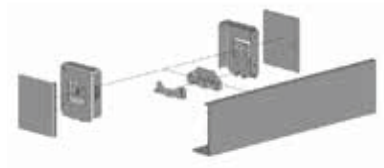


Inserted Fabric Valance

3" Uncovered Skyline Fascia Valance

The Fascia system is a decorative cover compatible with Rollease Acmeda™ roller shade hardware systems. The system is multi-functional in both mounting and finished appearance.

Roll: Available for Regular Roll Only
Color: White, Vanilla, Bronze, Black & Anodized
Mount: Inside or Outside
Maximum Width: 144"
See Price Grid 11 Page 39



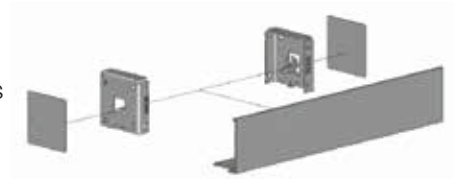
Skyline 3" Fascia

Roller Shade Valance Enclosure Options

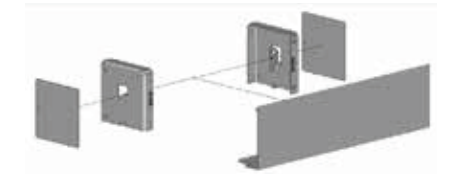
3" & 4" Uncovered Square Aluminum Fascia Valance

The 3" & 4" Square Aluminum Fascia Valance is a "L" shaped aluminum extrusion that covers the front and bottom of the roller. The valance option locks to its brackets with snap-in fittings. The roller is concealed behind this valance and the bottom of the shade drops from the back of the valance when lowered.

Roll: Available for regular roll only
Color: White, Vanilla, Bronze, Black & Anodized
Mount: Inside or Outside
Maximum Width: 144"
See Price Grid 11
Page 39



3" R Series Square Fascia



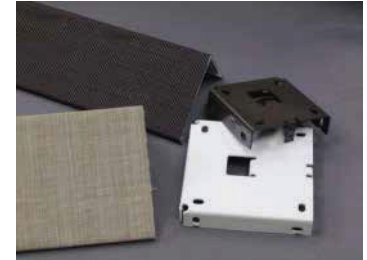
4" R Series Fascia

3", 4" & 5" Fabric Wrapped Square Fascia Valance

The 3" & 4" Fabric Wrapped Square Fascia Valance are the Square Aluminum Fascia Valances listed above, but include fabric matching the roller shade wrapped around the aluminum extrusion. This innovative upgrade option provides a warm look for any room. As described above with the Square Fascia Valance, this option covers the front and bottom of the roller and locks to its brackets with snap-in fittings. The roller is concealed behind this valance and the bottom of the shade drops from the back of the valance when lowered.

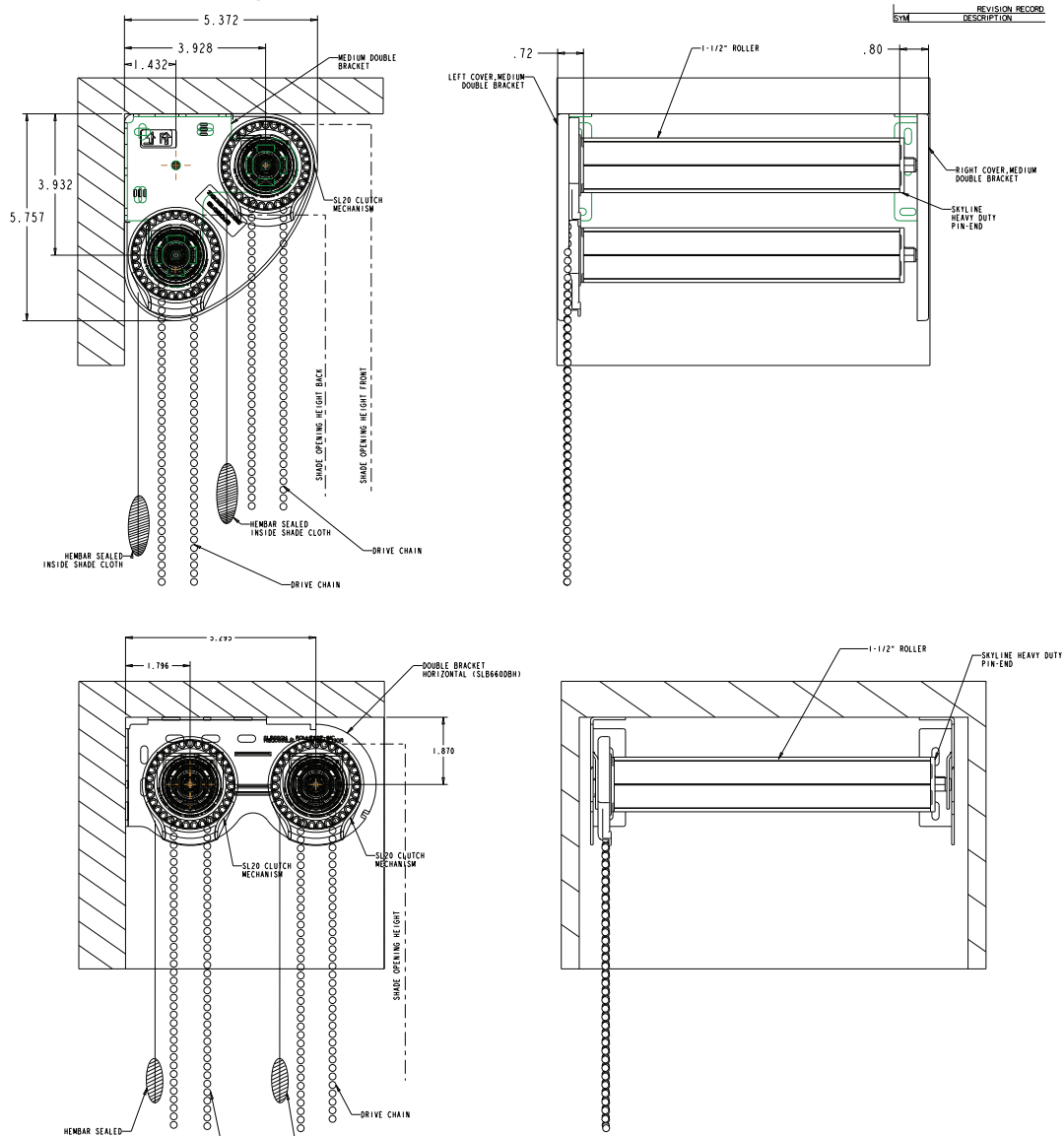
Roll: Available for regular roll only Valance
Color: fabric matches shade fabric
Mount: inside or Outside
Maximum Width: 144"

See Price Grid 11
Page 39



3" & 4" Fabric Wrapped Fascia

Universal 5" Fascia System

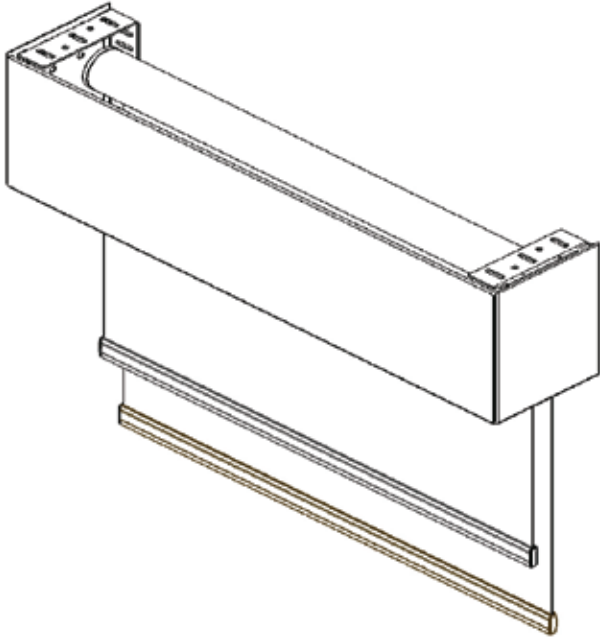


The modularity of the Universal 5" Fascia System offers a variety of different motorized or manual configurations. It also –

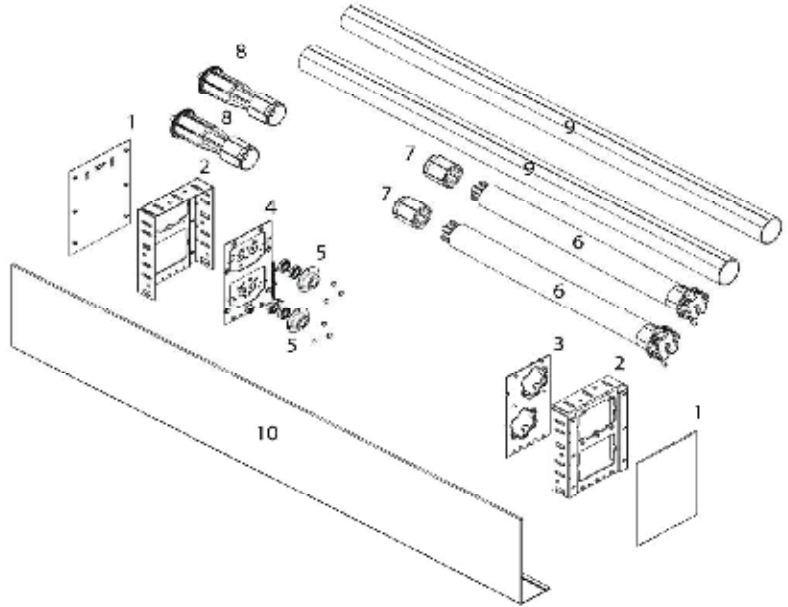
- Can be configured for a single large shade (4 3/4" diameter fabric roll) or dual shades (2 3/4" fabric roll),
- Eliminates notching of fascia using chain diverters and guides,
- Minimizes fascia light gap across the header as the top of the fascia is even with the top of the brackets,
- Accepts standard and reverse roll shades easily with reversible mounting fascia,
- Blocks light entering from behind the shades with optional mount of second length of fascia.

The Universal 5" Fascia System is available in white, anodized and bronze finishes and compliments the 3" and 4" Fascia and the Cassette 120. See Price Grid 11 Page 39

7" Square Fascia System



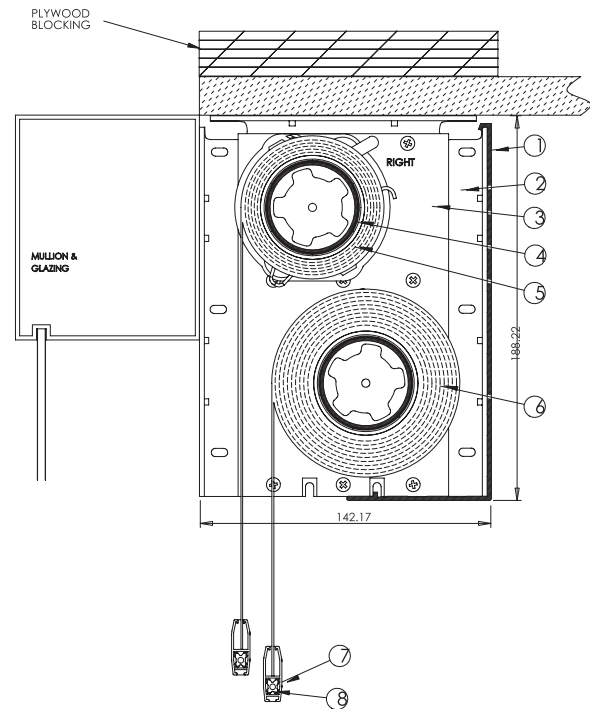
7" Square Fascia System with Somfy LT50 Motor



ZMC 7" Motorized Roller Shade

- SPECIFICALLY DESIGNED FOR ALL INDUSTRIAL AND COMMERCIAL APPLICATIONS THE 7" FASCIA SYSTEM PROVIDES A CLEAN AND MODERN APPEARANCE TO ANY LOCATION
- COMPATIBLE WITH SOMFY LT50 MOTOR ONLY AVAILABLE WITH INTERMEDIATE BRACKETS ALSO
- THE 7" DUO SHADE BRACKETS ALLOWS BOTH FILTERING AND ROOM DARKENING
- COMBINED WITH SIDE CHANNEL TO COMPLETELY ELIMINATE LIGHT PENETRATION WHEN CLOSED
- AVAILABLE IN WHITE, BRONZE & ANODIZED
- LENGTHS ARE 16 FEET

See Price Grid 11 Page 39



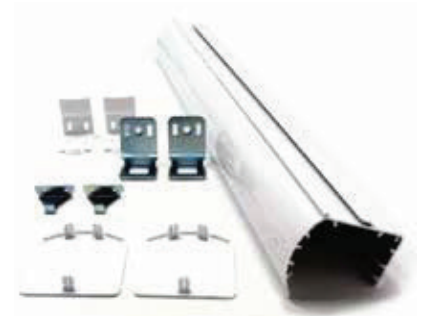
- NOTES:
1. 7" EXTRUDED ALUMINUM FASCIA
 2. 7" FASCIA BRACKET
 3. INSERT PLATE FOR MOTOR
 4. 2" EXTRUDED ALUMINUM MOTORIZED TUBE
 5. BLACKOUT FABRIC
 6. FABRIC: 3%, 5%, 10% OPENNESS
 7. EXTRUDED ALUMINUM SLIM BOTTOM BAR
 8. SLIM BOTTOM BAR END CAP



Cassette 100 & Cassette 120

Here at Porter Preston we offer one of the finest finishing options for Custom Roller Shades our Cassette 100 & 120 Systems. Here are some of the advantages for using these products:

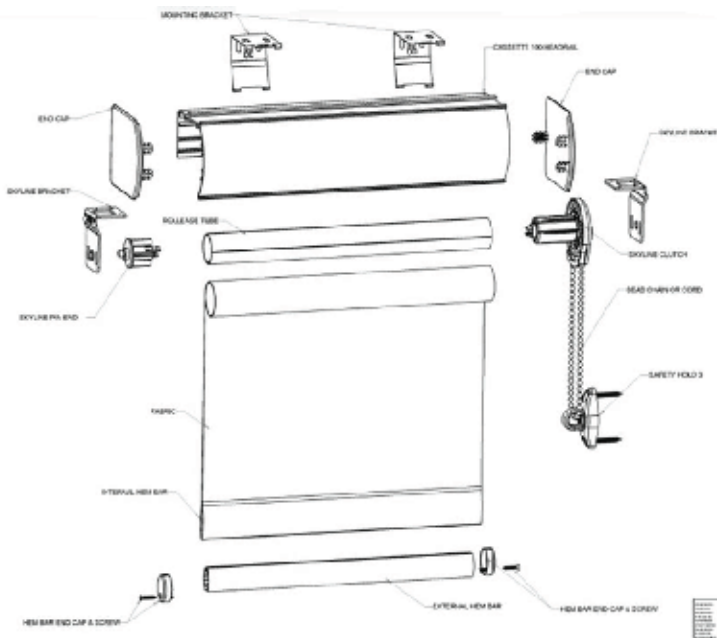
- Three headrail sizes afford greater range of drop length possibilities and use of thicker fabrics
- Quick and easy installation
- Sleek look accommodates upscale commercial needs and affords greater residential appeal
- Sleek, curved design makes sunscreen fabrics more adaptable to residential use
- Intermediate bracket allows two shades in one headrail
- Available in five of the most popular colors: Anodized, White, Vanilla, Bronze & Black.



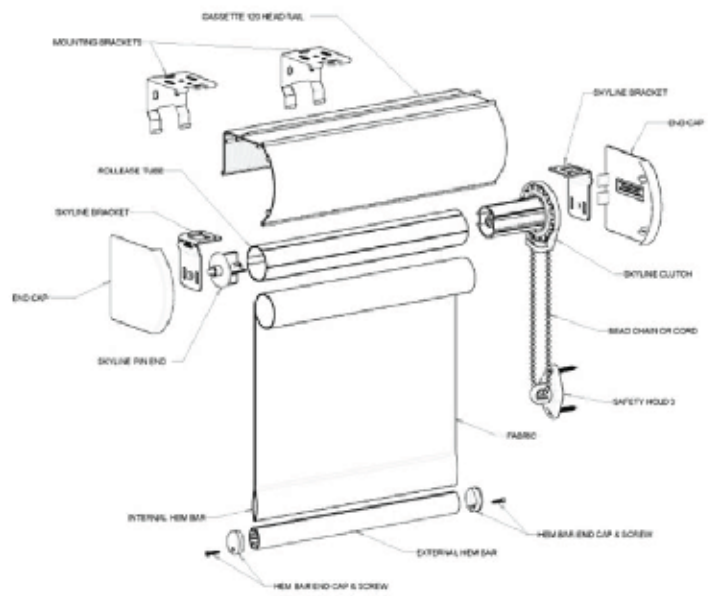
Cassette 100

Description	Systems Available	Compatible Clutches	Max Tube Diameter	Max Roll Diameter	Max Window Width	Colors Available	Mounting Brackets
Cassette 100	R-Series	R8, R16, RGAL RGALH 200	2 in (50.8mm)	2.5 in (63.5mm)	16 ft (4.88m)	Anodized, White, Vanilla, Bronze, Black	HDBKT2
Cassette 120	R-Series	R8, R16, RGAL RGALH 200	2 in (50.8mm)	2.870 in (72.90mm)	16 ft (4.88m)	Anodized, White, Vanilla, Bronze, Black	V2BKTXX

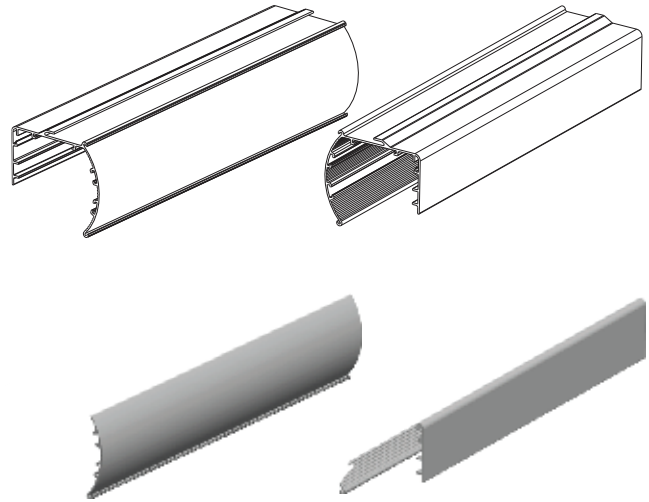
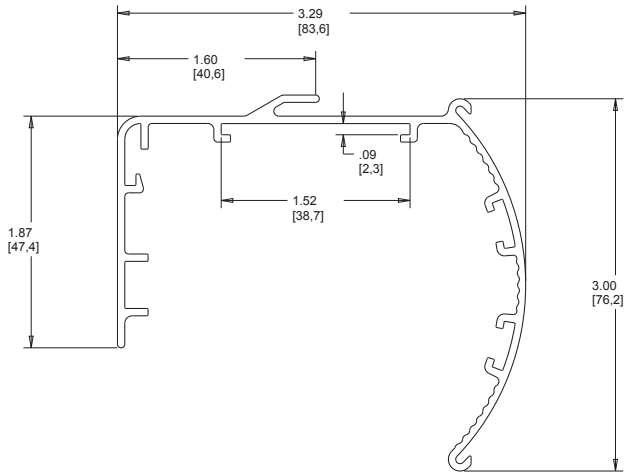
Cassette 100



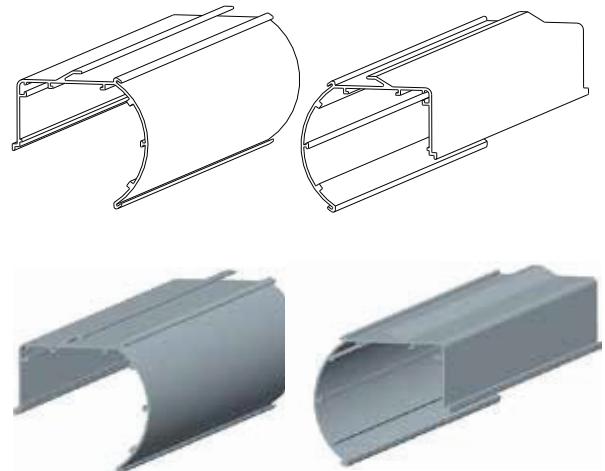
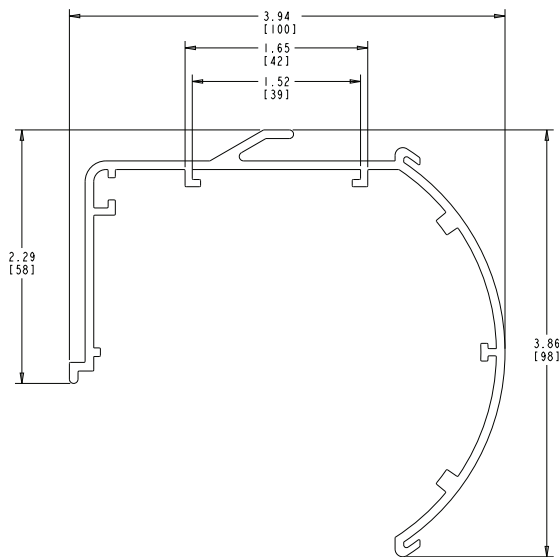
Cassette 120



Headrail Cassette 100



Headrail Cassette 120



Lower Access Fascia / Flap & Hanger

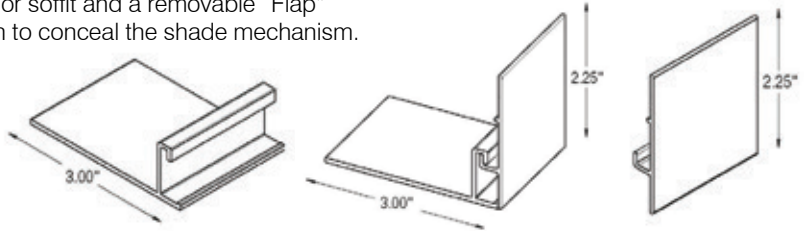
The lower access fascia/flap & hanger is an aluminum extrusion that is installed at the bottom of a dry soffit to conceal the bottom of the roller shade. One should drill the mount strip wall hanger in the front of the dry wall soffit (pocket). For Pricing See Price Grid 11 Page 40

3" Lower Access Fascia / Flap and Hanger

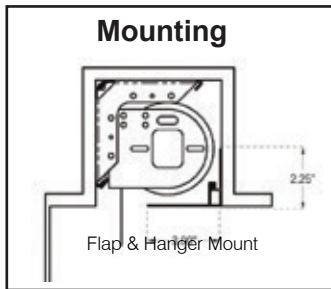
Flap and Hanger provides a simple solution for concealing either a manual or motorized roller shade from viewers beneath the system. Flap and Hanger is a two-piece unit consisting of a "Hanger" which is mounted to the inside face of a gypsum pocket or soffit and a removable "Flap" which attaches to the hanger to provide a 3" return to conceal the shade mechanism.

Specifications

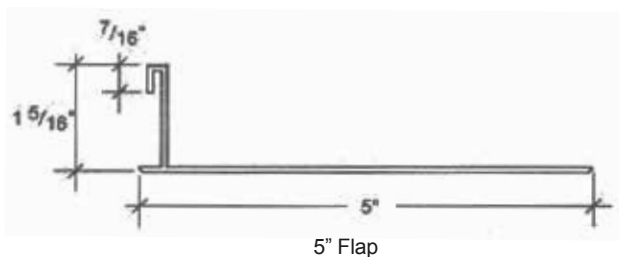
- Material:** 0.063" Extruded Aluminum
- Color:** White, Bronze and Anodized
- Length:** Available in custom lengths up to 150"



- Roll:** Available for regular roll and reverse roll shades
 - Color:** White
 - Mount:** Inside only
 - Minimum Width:** 18"
 - Maximum Width:** 240"
- See Price Grid 11
Page 40



5" Lower Access Fascia / Flap and Hanger



- Roll:** Available for regular roll & reverse roll shades
 - Color:** White & Anodized
 - Mount:** Inside or Outside
 - Minimum Width:** 12"
 - Maximum Width:** 192"
- See Price Grid 11
Page 40

3", 4", 5", 6" Shade Box with Bottom Closure Plate



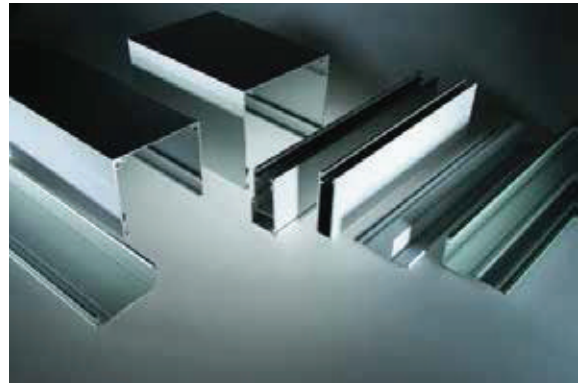
CONTRACT

Contract Series

QUICK REFERENCE SHEET

Widest variety of clutch options featuring award-winning and patented technology advancements that provide the smoothest and easiest pull forces in the industry.

- Aluminum Pockets in 4 sizes
- Bottom Closures and Black-out Side and Bottom Channels
- Multiple Tube and Bracket sizes
- Manual and Motorized options
- Quality design for fast, cost-effective and trouble-free installation



See Price Grid 11 Page 40

Item Description	Compatible Skyline Clutches	Compatible R-Series Clutches	Max Tube Diameter	Side Channels Available	Max Roll Diameter	Max Roll Diameter w/Bottom Closure	Max Window Width	Colors Available
3 Inch Pocket	N/A	R8, R16	2 in (50.8mm)	No	2.80 in (71.12mm)	2.4 in (60.96mm)	16 ft (4.88m)	Anodized, White
4 Inch Pocket	SL15, SL20, RGALH, SL30, RGAL400H	R16, R24	2 1/2 in (63.5mm)	Yes	3.75 in (95.25mm) 3.70 in (93.98mm)	3.4 in (86.36mm)	16 ft (4.88m)	Anodized, White
5 Inch Pocket	SL15, SL20, RGALH, SL30, RGAL400H	R16, R24, RGAL, RGAL400	3 1/4 in (82.6mm)	Yes	4.75 in (120.65mm)	4.75 in (120.65mm)	16 ft (4.88m)	Anodized, White
6 Inch Pocket	SL20, RGALH, SL30, RGAL400H	R16, R24, RGAL, RGAL400	3 1/4 in (82.6mm)	Yes	5.70 in (144.78mm)	5.5 in (139.7mm)	16 ft (4.88m)	Anodized, White

*For motor selections, see www.rollease.com/systems/roller-shades/motorized-solutions and click on Contract/Pocket Systems

Side Rails, Sill Channel & “Zip” Tracks

Side Rails & Sill Channels are aluminum extrusions used to eliminate light gaps at the left, right & bottom edges of the shade. Zip tracks are a great way to get the benefits of a side rail without any of the potential issues – can be used over open window – even outside.

Side Rails are used (primarily) for light control on the side and bottom of the shades. Side Rails are available in one width of 2 1/2” and have caps to finish top and bottom edges. Available in the following colors: White, Bronze, Black, Anodized and Vanilla.

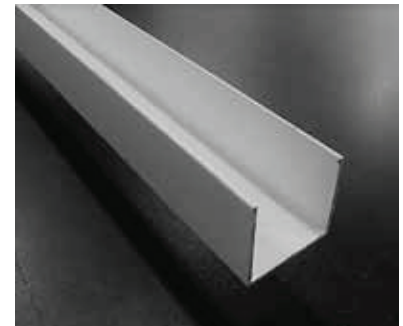
See Price Grid 11 Page 40



Side Rail

Sill Channel is a more cost effective option used on the sill to control light bleed from the bottom of the shade.

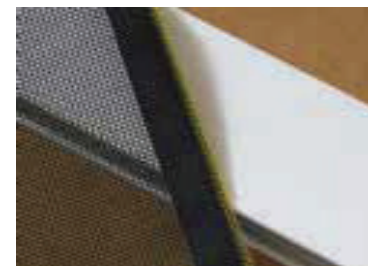
See Price Grid 11 Page 40



Sill Channel

ZIP Tracks are a fantastic way of getting all the benefits of a side rail and none of the draw backs. The vertical edge of the fabric has a “zipper” heat sealed to it that is retained by a special side rail extrusion so that the fabric will not only remain in the side rail but will be held snugly in place. Available in white, off-white, gray, bronze & black. Custom colors are also available.

Please Call for a Quote



Zip Tracks



Automation

Pristine roller shades can be operated by battery or hard wired solutions. Control options are many from wireless wall switches and remotes to home automation interfaces.

Porter Preston offers many different solutions for the automation of window treatments. The simplest and most popular solution is Somfy RTS (Radio Technology Somfy) and we have featured these motors and controls here.

We are happy to quote motorization solutions such as Somfy ILT, Lutron QED & QS and Electronic Solutions. We will design the system that is right for your project. Ask about Porter Preston's Project Management and Installation services. We can provide a "turn-key" solution for your automation project.

Battery Powered Motorized Roller Shades

Somfy R28 RTS-1240292

Porter Preston offers Somfy R28 RTS battery powered motors. They are radio (RTS) controlled and fit 1 1/2" roller tube. Their maximum lifting capacity is 10 lbs. In general they can lift a 96" x 96" shade. Expected battery life is 1 – 2 years depending on frequency of use. Lithium batteries are supplied and recommended when replacements are due.

Advantages:

- No need for wiring
- In wall and handheld wireless controls
- Same controls work with other RTS hard wired shades
- Shades can be operated individually, groups and sub-groups
- Small size

Disadvantages:

- Size / weight limitations
- Motor noise – rather loud
- Battery powered – eventually the shades will cease to function and the batteries will have to be replaced
- Motor speeds often will not be the same

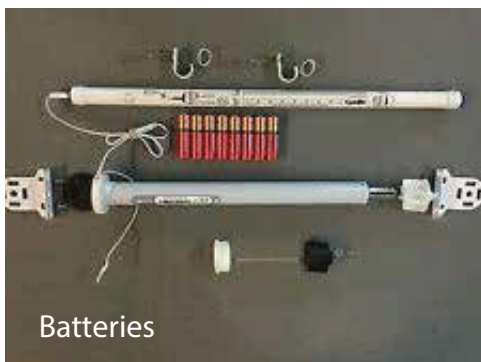
Minimum Width: w/o fascia 16" with fascia 17"

Maximum Width: 96"

Somfy R28 RTS battery motor

Includes:

Battery wand
Battery wand mounting clips
8 lithium AA batteries
See Price Grid 12 Page 41



Somfy 12V DC Rechargeable Solar Battery Pack / Tube / Wand Kit Part # 9019235



Kit includes:

(1) Photovoltaic Solar Panel in Bezel with Glass mount adhesive strips,
(1) 10" Y-Harness, (1) Alcohol Wipe, (1) Instructions (10) #9018621 NiMH(Nickel Metal Hydride) rechargeable batteries that fit in the reloadable battery tube.

- Used for powering Somfy LT30, CT32 and 2" Blind Tilt 12V Motors and Hunter Douglas 12 Volt PowerRise lift systems (see below).
- Low profile solar (photovoltaic) panel is compact, discreet and easy to conceal at just 1.57" tall x 11.85" Wide.
- Battery Tube / Wand 12" Y-Harness plugs directly into motor power port.
- Optional 24" or 48" Y-Harness available to extend reach of battery tube to motor.
- Replaces single (#9013741) and Dual (#9013742) throw away sealed battery wand.
- Battery Tube / Wand Dimensions: 20.625"L x 0.792D
- Warranty: 5-Years on Solar Panel, Wire Harness and Battery Holder. No warranty on NiMh Battery but has a life expectancy of 3-5 years.
- Somfy Cat. #9019235 includes (10)-NiNH batteries **MSRP:** See Price Grid 12

The NEW Somfy Rechargeable Solar Battery Pack is a group of components that work in unison to provide a long life, renewable energy source for Somfy 12 Volt DC WireFree Motors. Patented energy saving technology uses sunlight to power WireFree Motorized window coverings by recharging the NiMH battery. Photovoltaics produce solar energy by converting solar radiation (sunlight) into direct electricity (DC) providing a Green alternative to regular batteries. The WireFree Solar Pack's PV panel is mounted on the inside of the window opening and converts the sun's light into electrical energy to power the window blind motor. The Solar Battery Pack is cost effective by reducing battery replacement and preserves the environment and provides a maintenance free solution that does not require an electrician. The Somfy Rechargeable Battery Pack is the ideal solution for hard to reach battery tube locations such as second story windows where battery replacement can be challenging.

Wired Motorized Roller Shades

See Price Grid 12 Page 41

- Somfy Sonesse ST-30 RTS (1001524)** 24 volt motor is a 2 nm (newton meter– a power rating) low voltage motor. It is best used on smaller shades as it can fit in a tube as small as 1.5". The motor is quiet – giving off only a small hum as it operates. As these motors operate off of 24 volts they do require a power supply to operate.

Minimum Width: 20" **Maximum Width:** 96"

Options: single motor power supply
 5 motor power / distribution panel
 10 motor power / distribution panel
 panel dimensions: 12 1/4" x 12 1/4" x 5 1/2" high



Sonesse ST-30 RTS

- Somfy Sonesse 40 RTS 404 S2 (1001636)** is a 4nm motor that runs on standard household line voltage. No power supply is necessary. An 11 1/2' cord is standard with the motor. Additional cord and plug is available at an additional cost.

Minimum Width: 23 1/2"

The Sonesse 40 series of motors are very quiet and deliver a lot of power in a 44mm or 2" tube size.



Sonesse ST-40 RTS

- Somfy Sonesse 40 RTS 409 R2 (1001638)** is a 9nm motor that runs on standard household line voltage. No power supply is necessary. An 11 1/2' cord is standard with the motor. Additional cord and plug is available at an additional cost.

Minimum Width: 25"

The Sonesse 40 series of motors are very quiet and deliver a lot of power in a 44mm or 2" tube size.

For the Sonesse 40 RTS motors we can supply you with a grounded angle plug either loose or installed on the motor. If we install it on the motor for you we will cut the cord (11 1/2") to any length you specify. Note that this motor cable is NOT changeable so too long is always better than too short.

Angle Plug comes either loose or installed on motor

- Somfy Sonesse 506 S2 RTS (1001809)** is a 6nm motor that runs on standard household line voltage. No power supply is necessary. See cord and plug options below.

Minimum Width: 31 1/2"

See Price Grid 12 Page 41



Radio Technology Somfy®



Sonesse 50 RTS w/o Plug



Sonesse 50 RTS 3' AC Cord with Plug

Wired Motorized Roller Shades

- **Altus 50 RTS** 525S2 (1043287) is for shades with great height or width, large banded shades and tensioned shades where more power is often needed. It is a 10nm motor that runs on standard household line voltage. No power supply is necessary. See cord and plug options below.

Minimum Width: 29"

See Price Grid 12 Page 42

These Sonesse 40, 50 and Altus 50 motors are also available in a standard **(4 wire) version**. Note that this motor will require a switch or external control.

RTS AC Cord Without Plug:

See Price Grid 12 Page 41

9203866	12' RTS Motor Cable WITHOUT Plug (LT-50)
9001537	18' RTS Motor Cable WITHOUT Plug (LT50)
9001264	24' RTS Motor Cable WITHOUT Plug (LT50)



110-volt AC Plug-in Motors simply plug directly into a standard electrical outlet

RTS AC Cord With Plug Installed on Motor:

See Price Grid 12 Page 41

9019952	3' RTS AC Cord With Plug Installed on Motor
9019953	6' RTS AC Cord With Plug Installed on Motor
9012145	12' RTS AC Cord With Plug Installed on Motor
9012151	18' RTS AC Cord With Plug Installed on Motor
9012146	24' RTS AC Cord With Plug Installed on Motor

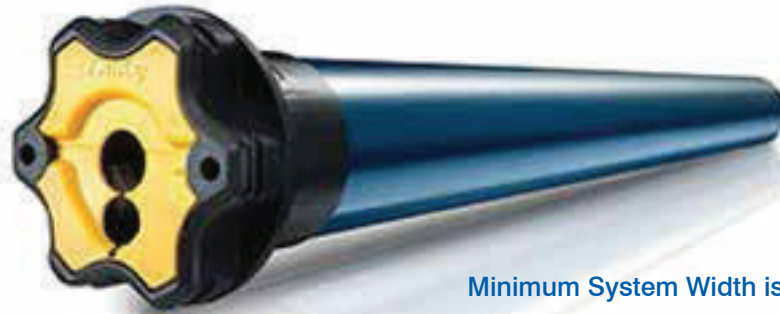


24-volt DC Plug-in Motors require a power supply transformer that is wired to the motor cable and then plugs into an electrical outlet

Wired Motorized Roller Shades

Sonesse® ULTRA 50 AC -Part # 1002562

Ultra-quiet, ultra powerful, ultra flexible



Minimum System Width is 39"

Description

Motorize a wide variety of window coverings to create the perfect environment and enjoy the peace and serenity provided by the Sonesse® ULTRA. It offers exceptional lifting capacity so you can enjoy powerful operation in a quiet and relaxing environment.

Benefits

Silent & Strong

Enjoy energy savings, privacy and glare reduction in a quiet atmosphere

- Perfect for areas where silence is critical such as nurseries, bedrooms and offices
- Our patented technology provides strong performance that allows for multi-banding
- of up to six shades

Comfort & Convenience

Continue your activities uninterrupted at home or work with the peaceful silent

- operation of motorized applications
- Compatible with multiple control technologies so you can operate motorized applications with ease

Energy Savings

Compatible with timers, sensors and the myLink™ app for automatic operation

Description

ULTRA Powerful

Its superior torque of up to 6Nm allows the motor to be installed for almost any application on the market. Additionally, the high torque allows for a single Sonesse ULTRA to multi-band up to six shades.

ULTRA Quiet

Sonesse ULTRA 50 AC is packed with innovations and patented technologies that provide 6Nm of power and an acoustic performance of less than 38dB- the most powerful and quietest motor on the market.

ULTRA Flexible

Available for a variety of control systems, for all types of spatial configurations in commercial and residential buildings, in both new and renovated projects.

See Price Grid 12 Page 41



Radio Technology Somfy®

RTS Controls

Telis Handheld Remote Controls

Telis Remote controls come in 3 different channel configurations 1, 5, & 16.

The are available in 3 colors: Pure – White; Lounge – Black; Silver- Silver. There is also a weather resistant model – the Patio.

For MSRP See Price Grid 12 Page 41

Telis 1 Pure	(1810632)	Telis 4 Silver	(1810641)
Telis 1 Patio	(1810643)	Telis 4 Lounge	(1810652)
Telis 1 Silver	(1810639)	Telis 16 Silver	(1811082)
Telis 1 Lounge	(1810650)	Situo 1 RTS	(1800128)
Telis 16 Pure	(1811081)	Situo 5 RTS Pure	(1800139)
Telis 1 Chronis Pure	(1805237)	Smooove 1 RTS Pure	(1811533)
Telis 4 Pure	(1810633)		
Telis 4 Patio	(1810645)		



Telis 1 Patio



Telis 4 Lounge



Telis 4 Pure



Telis 16 Pure

The Telis 6 Chronis RTS is a multi-channel (6) programmable timer that can also be used as a 6 channel hand held remote.



Situo RTS offers a sleek modern look, refined profile, ergonomic design with a discreet wall support

Situo 1 RTS-Price Grid 12 Page 41



The Smooove RTS is a single channel, battery-operated wall switch for Radio Technology Somfy powered products. Its surface-mount design eliminates

the need to cut into drywall during installation. With seven decorative frame choices the Smooove is the perfect choice to match any decor.

Smooove 1 RTS Pure-Price Grid 12 Page 41

For MSRP See Price Grid 12 Page 42

DecoFlex In Wall Wireless Remote Controls

Somfy's DecoFlex is a wireless RTS control with a decora cutout that mounts in the wall in a low voltage ring (included). It comes standard in either 1 or 5 channel configurations. 2, 3 & 4 channel face plates are available for an extra charge. Included with every DecoFlex are stickers for custom labeling every button. Printed buttons are available as well. DecoFlex is available in White, Ivory & Black.

See Price Grid 12 Page 42

1810897	DecoFlex 1 White
1810898	DecoFlex 1 Ivory
1810830	DecoFlex 1 Black
1810813	DecoFlex 5 White
1810814	DecoFlex 5 Ivory
1810899	DecoFlex 5 Black



DecoFlex 1 White



DecoFlex 5 Ivory

2, 3 or 4 Channel DecoFlex Overlays Available

Custom Engraved Decoflex Command Buttons

Controls for Standard Motor

See Price Grid 12 Page 42

1800374	White Single Pole Double Throw (SPDT) Maintained Decora Switch
1800373	Ivory Single Pole Double Throw (SPDT) Maintained Decora Switch
1800375	White Double Pole Double Throw (DPDT) Maintained Decora Switch
1800376	Ivory Double Pole Double Throw (DPDT) Maintained Decora Switch
1810476	IGC 4n1 Motor Controller
1810627	Universal RTS Receiver for 110v Motors

Quick Disconnect Cable for Standard Motors loose or installed on motor

See Price Grid 12 Page 42

9012160	Anderson Power Plug Installed on Motor (male-white)12"
9012161	Anderson Power Plug Installed on J-Box side (female black 60"

Somfy Universal RTS Interface

See Price Grid 12 Page 41

Somfy's Universal RTS 16 Channel Interface can convert commands from IR, RS232, RS485 to RTS commands

1810872	Somfy Universal RTS Interface
---------	-------------------------------



Somfy Universal RTS Interface

DecoFlex RTS Table Top Accessory- See Price Grid 12 Page 42

1811185	DecoFlex Table Top Black
1811051	DecoFlex Table Top White



DecoFlex Table Top Black



RTS Repeater

RTS Repeater - extend the range of your RTS controls up to 60'

1810791	RTS Repeater-See Price Grid 12 Page 41
---------	--



Sun Sensor

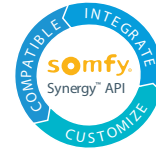
RTS Sun Sensor

9013707	Sunis Indoor Wirefree RTS Sun Sensor-Price Grid 12 Page 41
---------	--

myLink™ RTS

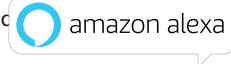
Smartphone and Tablet Interface

Item #: 1811403-See Price Grid 12 Page 41



OVERVIEW:

The myLink™ RTS Smartphone and Tablet Interface is a WiFi to Radio Technology Somfy® (RTS) bridge that can control up to 16 channels of RTS motorized products using the Somfy myLink apps for iOS and Android devices. Through the app, users can send immediate RTS commands, create scenes (a group of motorized products working together) and schedules (timed events). Users may access their myLinks from anywhere with the app's remote access feature. Though the myLink is a single-zone controller, multiple myLinks can be joined within the same system for multi-zone control. The myLink can also be used as a WiFi to RTS interface for integration with third-party control systems and is compatible with the Somfy Synergy™ API and Amazon Alexa.



For information about the original myLink (Legacy version), see Legacy spec sheet. Legacy myLinks are identified with the status LED and setup button on the right side of the unit, and device IDs beginning with "AAAA" (EX: AAAA1234).

TECHNICAL SPECIFICATIONS:

- 120V AC; 50-60Hz
- Ultra Low Power Wi-Fi (802.11 a/b/g/n)
- 3.64" L x 2.35" W x 1.95" H
- Radio Frequency:
 - RTS 433.42 MHz
 - WiFi: 2.4 & 5GHz
- iOS Version: 7 and higher
- Android Version: Jelly Bean and higher
- FCC ID: DWNMYLINK
- Operating Temp: 41°F to 113°F (5°C to 45°C)
- Rated Current (Amps): 10 to 50 milliamps
- Insulation Class: Class II
- For Indoor Use Only
- Enclosure:
 - PE
 - UL94V-0 flame rating
 - RoHS compliant
- Shipping Weight: 1lb

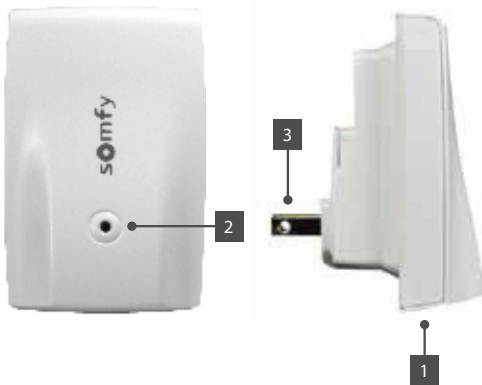
FEATURES SUMMARY:

- Control for up to 16 RTS channels per myLink™ from iOS and Android devices
- Join up to 10 myLinks together for multi-zone control
- Manually activate RTS products
- Automate window coverings with scenes and schedules
- Supports Up/Down/My/Stop commands and incremental control (tilt/brightness)
- Multiple users
- Remote access
- Integration with third-party systems over IP
- Compatible with Somfy Synergy
- Compatible with Amazon Alexa

WHAT'S IN THE BOX:

- myLink™
- Quick Start Guide

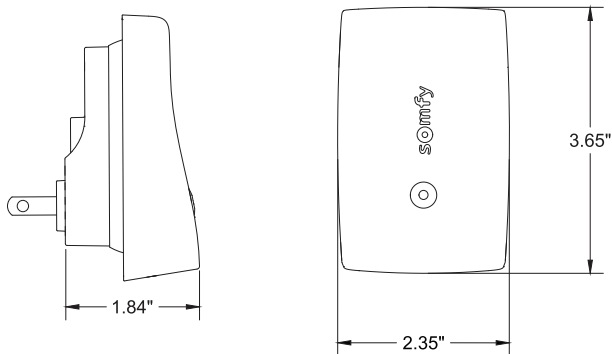
CONNECTIONS AND INDICATORS:



ELEMENT	FUNCTION
1 Setup Button	Engages setup mode Solid Red: Setup mode. The myLink is ready to accept WiFi network information or have its PIN changed. This is the mode the myLink should be in out of the box. Solid Green: myLink is successfully connected to a WiFi network Slow Blinking Green: myLink is trying to connect to a WiFi network/is disconnected from its known WiFi network Single Orange Blink: myLink is sending RTS commands Solid Orange: Firmware update mode Slow Blinking Red: myLink is scanning both 2.4GHz and 5GHz bands for nearby WiFi networks
2 Status LED	
3 AC Prongs	AC prongs

DIMENSIONS:

Item #: 1811403-See Price Grid 12 Page 41



BEST WIRING PRACTICES

Before installing the myLink, make sure that the RTS system is fully operational with all motor limits set and a programmed RTS transmitter. Plan to install one myLink per zone. Actual specification and RF range will vary depending on number of RTS channels and environmental conditions (building materials, RF interference, etc.).

The diagram shown below is meant for illustrative purposes to show the connections from product to product. This device could be used in other configurations than shown below.



Copyright Somfy Systems, Inc. 11/2017 Amazon, Alexa, and all related logos are trademarks of Amazon.com, Inc. or its affiliates.



The QMotion Difference [See Price Grid 13 Page 44](#)

QMotion shading systems are developed for simplicity, superior function and aesthetic elegance. QMotion has focused on developing automated window coverings that move quietly, more efficiently, and have batteries that last years longer than others.

- Low voltage 1-way or hardwired with ZigBee HA1.2 2-way communications.
- Easy to program.
- With battery operated shades, simple installation - no wires.
- Whisper quiet motors.
- Industry leading 1/2" light gaps.
- Evenly distributed on both sides.
- Side channels & sill angles optionally available.
- Patented manual override system.
- Patented counterbalance system.
- Integrated Safety Stop.



QMotion Qadvanced motorized roller shades are available in battery or wired configurations. Battery operated shades have 2 communication options to choose from:

- Gen 3 proprietary protocol, 1-way communication.
- Qadvanced with ZigBee HA1.2 (Home Automation v 1.2) specification for 2-way communications.



Qadvanced wired options now include:

- Low voltage using 22AWG/24V wires with Gen 3 proprietary protocol, 1-way communication.
- Qadvanced Intelligent System (QIS) hardwired, uses standard Cat5e or Cat6 cable for both power and communications. QIS shades may be used with our wired wall switches and/or wireless remote controls using the ZigBee HA1.2 specification.



Qadvanced Operated Shades [See Price Grid 13 Page 44](#)

Qadvanced operated roller shades are now available in three different communication protocols. The enhanced proprietary protocol in Gen 3 shades, for those environments that may have a lot of other electronic devices competing for radio air space. The 2-way communication with the ZigBee HA1.2 battery operated shades. And the Qadvanced Intelligent System (QIS) is hardwired shading offering the option of ZigBee communication.

Qadvanced Battery Operated Roller Shades with Gen 3

- Uses the 3rd generation QMotion proprietary protocol, 1-way communication
- Great for stand-alone applications where there is potential interference from other electronic devices. This protocol may be more consistent and responsive in radio rich environments.
- Qadvanced Gen 3 roller shades use our QdR Remotes, either single channel or multi-channel. QdR remotes are designed to fit in standard style wall plates

- QMotion Qadvanced Battery operated Shades are available using the ZigBee HA1.2 (Home Automation v1.2) specification for 2-way communication.
- Adding 2-way communication allows for feedback of the shade position with automation apps. Qadvanced shades with ZigBee HA1.2 have features such as manual override, quiet motors, narrow light gaps, with the added benefit of the ZigBee network.
- May be integrated with smart home automation systems or used “stand alone” with the QdR Multi Channel Remote. Most smart home automation systems will require the Qube coordinator (gateway or bridge device) for integrating the shades to their system

Qadvanced Battery Operated Roller Shades with Zigbee HA1.2

- Uses standard off-the-shelf Cat5e or Cat6 cable for both power and communications. **NOTE: Do NOT use Power over Ethernet (PoE) or any Ethernet wiring or powering scheme**
- Require a Power and Communications Panel with 8 ports. The 8 ports connect via RJ-45 connectors for any combination of a total of 8 shades and controls.

Qadvanced Intelligent System Hardwired

Roller Shade Material Pristine Roller Shades are available in many colors, textures and privacy options from the top manufacturers in the world. In addition we will also use Customer's Own Material (COM) to meet the needs of our customers that require color and/or pattern coordination. Contact Customer Service for Pricing.

Pristine Roller Shade Material tend to fall into three categories: Solar Screens, decorative Transluents & Blackouts. Within these three categories the fabrics range from functional to decorative and everything in between.

Solar Screens

These are Mesh fabrics designed to control natural light.

Available in many "openness factors" i.e. 1%, 3%, 5%, 10%, etc. Openness Factor affects comfort, the degree of visibility and glare control.

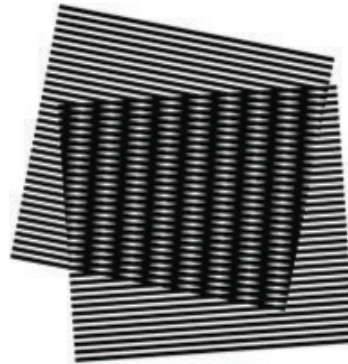
Protects interiors and furnishings from the damaging rays of the sun.

Reduces glare for televisions and computer screens.

Preserves the view to the outside. *Note that this view is from the relative dark side to the relative bright side so at night a lit room will be visible from the outside.*

Provides a decorative aspect – especially with the latest in Solar Screen designs.

Caution!! Some Solar Screen fabrics installed on windows with existing insect screens can cause a "Moiré Effect" which could be objectionable to the end user. It is always best to test for this with a fabric sample BEFORE ordering the shades. If it is winter be sure to ask as sometimes the insect screens are removed for the winter.



"Moiré Effect"

Transluents

These fabrics let in some light but none of the view affording a nice warm glow in the daytime and privacy anytime.

Pristine has Translucent fabrics that have a matching Blackout counterpart.

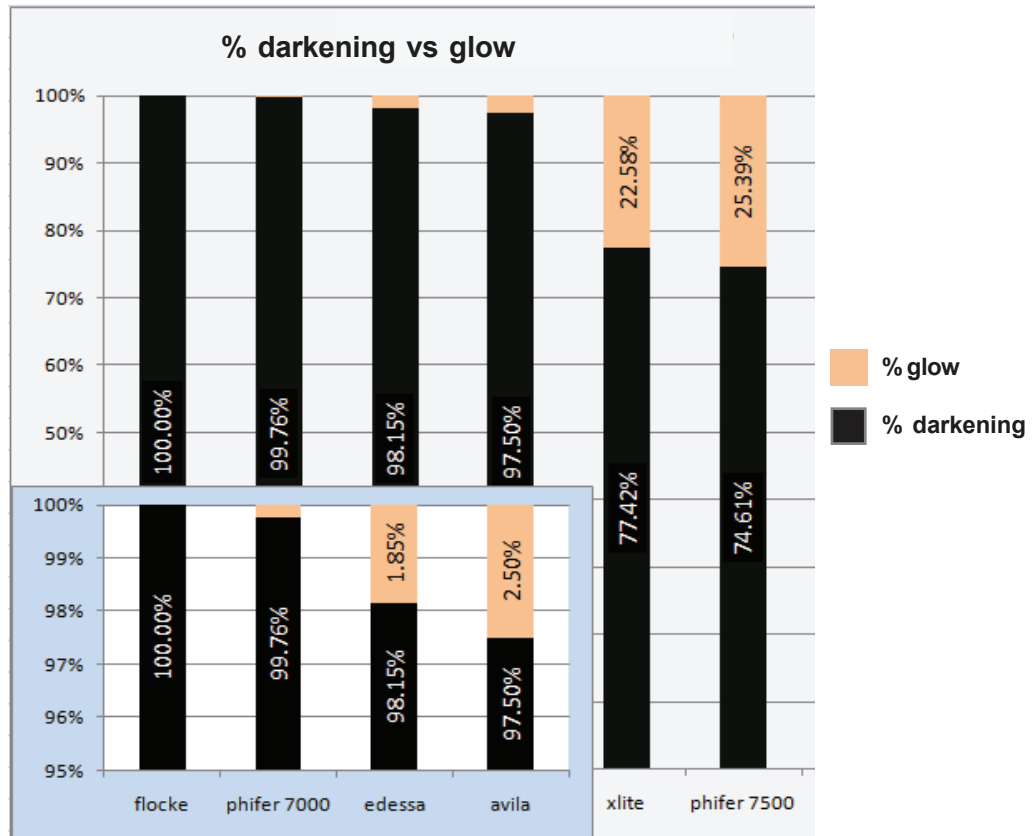
Blackouts

As the name implies these fabrics will not allow any direct light to pass through. There is no openness in the fabric, however some portions of the fabric composition are translucent enough that you may see a "glow" behind the shade, particularly if the window is facing east or west. No UV rays come through the fabric and there is complete privacy. The "glow" varies by product. See the chart on page 21 for specific comparisons.

Pristine has Blackout fabrics that have a matching Translucent counterpart.

Caution: While a Blackout shade does not allow any light to pass through the fabric, light can and will bleed around the sides, top & bottom of the shade. Pristine offers valances, side rails and sill rails to eliminate all light from the window.

The Glow Effect



This is a magnification of the top 5% of the chart

Shade Roll-Up Diameters

Fabric thickness will vary. The table below is based on a fabric with a thickness of .020 inches

Drop			Tube Outside Diameter					Inches	mm
			1.25	1.50	2.00	2.50	3.25		
cm	Inches	Feet	32	38	50	63	83		
30	12	1	1.37	1.60	2.07	2.56	3.30	Shade Diameter Fully Raised	
61	24	2	1.47	1.69	2.15	2.62	3.34		
91	36	3	1.57	1.78	2.22	2.68	3.39		
122	48	4	1.67	1.86	2.29	2.73	3.43		
152	60	5	1.76	1.94	2.35	2.79	3.48		
183	72	6	1.84	2.02	2.42	2.84	3.52		
213	84	7	1.92	2.10	2.48	2.90	3.56		
244	96	8	2.00	2.17	2.54	2.95	3.61		
274	108	9	2.08	2.24	2.60	3.00	3.65		
305	120	10	2.15	2.30	2.66	3.05	3.69		
335	132	11	2.22	2.37	2.71	3.10	3.73		
366	144	12	2.29	2.43	2.77	3.15	3.77		
396	156	13	2.35	2.49	2.82	3.20	3.81		
427	168	14	2.42	2.56	2.88	3.24	3.85		

Fascia System	Largest Allowable Shade Diameter
	Inches
Cassette 100	1.95
Cassette 120	2.25
R-Series Fascia, 3"	2.75
SL Fascia, 3'	2.75
Contract Pocket, 3"	2.75
R-Series Fascia, 4"	3.75
SL Fascia, 4"	3.75
Contract Pocket, 4"	3.75
Contract Pocket, 5"	4.75
Contract Pocket, 6"	5.75

Roller Shade Fabrication Chart for RollEase R- Series

Length	Width														
	36	42	48	54	60	66	72	84	98	108	120	132	144	156	168
36	Yellow	Yellow	Yellow	Yellow	Yellow	Yellow	Yellow	Yellow	Green	Yellow	Blue	Blue	Blue	Blue	Blue
48	Yellow	Yellow	Yellow	Yellow	Yellow	Yellow	Yellow	Yellow	Green	Yellow	Blue	Blue	Blue	Blue	Blue
60	Yellow	Yellow	Yellow	Yellow	Yellow	Yellow	Yellow	Yellow	Green	Yellow	Blue	Blue	Blue	Blue	Blue
72	Yellow	Yellow	Yellow	Yellow	Yellow	Yellow	Yellow	Yellow	Green	Yellow	Blue	Blue	Blue	Blue	Blue
84	Yellow	Yellow	Yellow	Yellow	Yellow	Yellow	Yellow	Yellow	Green	Yellow	Blue	Blue	Blue	Blue	Blue
96	Yellow	Yellow	Yellow	Yellow	Yellow	Yellow	Yellow	Yellow	Green	Yellow	Blue	Blue	Blue	Blue	Blue
108	Yellow	Yellow	Yellow	Yellow	Yellow	Yellow	Yellow	Yellow	Green	Yellow	Blue	Blue	Blue	Blue	Blue
120	Yellow	Yellow	Yellow	Yellow	Yellow	Yellow	Yellow	Yellow	Green	Yellow	Blue	Blue	Blue	Blue	Blue
132	Yellow	Yellow	Yellow	Yellow	Yellow	Yellow	Yellow	Yellow	Green	Yellow	Blue	Blue	Blue	Blue	Blue
144	Yellow	Yellow	Yellow	Yellow	Yellow	Yellow	Yellow	Yellow	Green	Yellow	Blue	Blue	Blue	Blue	Blue
156	Yellow	Yellow	Yellow	Yellow	Yellow	Yellow	Yellow	Yellow	Green	Yellow	Blue	Blue	Blue	Blue	Blue
168	Yellow	Yellow	Yellow	Yellow	Yellow	Yellow	Yellow	Yellow	Green	Yellow	Blue	Blue	Blue	Blue	Blue
180	Yellow	Yellow	Yellow	Yellow	Yellow	Yellow	Yellow	Yellow	Green	Yellow	Blue	Blue	Blue	Blue	Blue
192	Yellow	Yellow	Yellow	Yellow	Yellow	Yellow	Yellow	Yellow	Green	Yellow	Blue	Blue	Blue	Blue	Blue

Clutch	Tube
R8	1 1/4"
R16	1 1/2"
R24	1 1/2"
R16	2"
R24	2"
Galaxy Clutch	
Spring Assist	
Motor	

Roller Shade Fabrication Chart for RollEase Skyline

Length	Width														
	36	42	48	54	60	66	72	84	98	108	120	132	144	156	168
36	Yellow	Yellow	Yellow	Yellow	Yellow	Yellow	Yellow	Yellow	Green	Yellow	Blue	Blue	Blue	Blue	Blue
48	Yellow	Yellow	Yellow	Yellow	Yellow	Yellow	Yellow	Yellow	Green	Yellow	Blue	Blue	Blue	Blue	Blue
60	Yellow	Yellow	Yellow	Yellow	Yellow	Yellow	Yellow	Yellow	Green	Yellow	Blue	Blue	Blue	Blue	Blue
72	Yellow	Yellow	Yellow	Yellow	Yellow	Yellow	Yellow	Yellow	Green	Yellow	Blue	Blue	Blue	Blue	Blue
84	Yellow	Yellow	Yellow	Yellow	Yellow	Yellow	Yellow	Yellow	Green	Yellow	Blue	Blue	Blue	Blue	Blue
96	Yellow	Yellow	Yellow	Yellow	Yellow	Yellow	Yellow	Yellow	Green	Yellow	Blue	Blue	Blue	Blue	Blue
108	Yellow	Yellow	Yellow	Yellow	Yellow	Yellow	Yellow	Yellow	Green	Yellow	Blue	Blue	Blue	Blue	Blue
120	Yellow	Yellow	Yellow	Yellow	Yellow	Yellow	Yellow	Yellow	Green	Yellow	Blue	Blue	Blue	Blue	Blue
132	Yellow	Yellow	Yellow	Yellow	Yellow	Yellow	Yellow	Yellow	Green	Yellow	Blue	Blue	Blue	Blue	Blue
144	Yellow	Yellow	Yellow	Yellow	Yellow	Yellow	Yellow	Yellow	Green	Yellow	Blue	Blue	Blue	Blue	Blue
156	Yellow	Yellow	Yellow	Yellow	Yellow	Yellow	Yellow	Yellow	Green	Yellow	Blue	Blue	Blue	Blue	Blue
168	Yellow	Yellow	Yellow	Yellow	Yellow	Yellow	Yellow	Yellow	Green	Yellow	Blue	Blue	Blue	Blue	Blue
180	Yellow	Yellow	Yellow	Yellow	Yellow	Yellow	Yellow	Yellow	Green	Yellow	Blue	Blue	Blue	Blue	Blue
192	Yellow	Yellow	Yellow	Yellow	Yellow	Yellow	Yellow	Yellow	Green	Yellow	Blue	Blue	Blue	Blue	Blue

Clutch	Tube
S10	1 1/4"
S15	1 1/4"
S15	1 1/2"
S20	1 1/2"
S15	2"
S20	2"
Galaxy Clutch	
Spring Assist	
Motor	

Automated, Clutch & Spring Rollershades

Fabric Specifications

Fabric	Price Grid	Openness %	Maximum Fabric Width	Can Railroad	Cover Valance	Weight	Thickness	Fire Rated	Green Guard Certified	Green Guard Gold	Fungal Resistant
Alkenz 3000 Net 1%	3	1	118	Y	Y	15.28	0.027	Y	Y	Y	Y
Alkenz 3000 Net 3%	3	3	118	Y	Y	13.12	0.022	Y	Y	Y	Y
Alkenz 3000 Net 5%	2	5	118	Y	Y	12.39	0.022	Y	Y	Y	Y
Alkenz 3000 Net 10%	2	10	118	Y	Y	11.36	0.020	Y	Y	Y	Y
Avila Twilight	7	0	118	Y	Y	12.09	0.017	Y	Y	Y	Y
Avila Twilight Solid	7	0	118	Y	Y	13.12	0.022	Y	Y	Y	Y
Century/Opaque	1	0	72	Y	Y	12.00	0.013	Y	Y	Y	Y
Chi Blackout	8	0	94	N	Y	10.06	0.018	N	N	N	Y
Chi Light Filtering	7	LF	94	N	Y	5.62	0.011	N	N	N	Y
Dizz (Note 1)	8	NA	78	Y	N	2.00	0.010	N	N	N	N
Duplex	1	0	72	Y	Y	12.50	0.013	Y	Y	Y	Y
E Screen 1%	6	1	122	Y	Y	13.30	0.020	Y	Y	Y	Y
E Screen 3%	4	3	122	Y	Y	11.60	0.017	Y	Y	Y	Y
E Screen 5%	4	5	122	Y	Y	10.70	0.016	Y	Y	Y	Y
E Screen 10%	3	10	122	Y	Y	10.30	0.020	Y	Y	Y	Y
Flocke	10	0	94	Y	Y	14.70	0.021	Y	N	N	N
Gold Chic	7	NA	110	N	N	4.00	0.010	N	N	N	N
Green Screen Revive 1%	6	1	122	N	N	5.87	0.019	Y	Y	Y	Y
Green Screen Revive 5%	5	5	122	N	N	5.01	0.017	Y	Y	Y	Y
Linen Glass	1	0	72	Y	Y	12.00	0.016	Y	Y	Y	N
M Screen 1%	5	1	98	Y	Y	13.12	0.022	Y	Y	Y	Y
M Screen 3%	4	3	122	Y	Y	12.27	0.022	Y	Y	Y	Y
M Screen 5%	4	5	122	Y	Y	11.30	0.022	Y	Y	Y	Y
M Screen Deco 3%	5	3	98	Y	Y	12.21	0.023	Y	Y	Y	Y
M Screen Deco 5%	5	5	98	Y	Y	11.30	0.020	Y	Y	Y	Y
Meridian Blackout	7	0	118	Y	Y	12.39	0.020	Y	N	N	Y
Moire	1	0	72	Y	Y	12.00	0.014	Y	Y	Y	N
Natte 5%	7	5	98	Y	Y	14.13	0.022	Y	Y	Y	Y
Natte 10%	6	10	98	Y	Y	13.48	0.021	Y	Y	Y	Y
NoLite	2	0	72	Y	Y	14.00	0.014	Y	Y	Y	Y
Nuance	8	LF	78	N	Y	4.13	0.011	N	N	N	N
Palm Beach Blackout	8	0	118	N	Y	13.02	0.026	N	N	N	Y
Palm Beach Light Filtering	7	LF	118	Y	Y	8.58	0.012	N	N	N	Y
S Screen	6	4	122	N	N	18.90	0.037	Y	Y	Y	Y
Seada (Note 1)	7	0	108	N	Y	9.08	0.013	Y	N	N	N
Sheerweave 1000	2	25	96	N	Y	8.80	0.020	Y	Y	Y	Y
Sheerweave 2000	3	5	126	N	Y	14.26	0.019	Y	Y	Y	Y
Sheerweave 2100	3	10	98	N	Y	12.40	0.020	Y	Y	Y	Y
Sheerweave 2360	3	10	98	Y	Y	10.50	0.017	Y	Y	Y	Y

Notes

Note 1 - External Hembar only

LF - Light Filtering

NA - Natural

Automated, Clutch & Spring Rollershades

Fabric Specifications

Fabric	Price Grid	Openness %	Maximum Fabric Width	Can Railroad	Cover Valance	Weight	Thickness	Fire Rated	Green Guard Certified	Green Guard Gold	Fungal Resistant
Sheerweave 2390	3	5	126	Y	Y	11.80	0.017	Y	Y	Y	Y
Sheerweave 2390 Performance Plus	9	5	96	Y	N	11.80	0.018	Y	Y	Y	Y
Sheerweave 2410	4	3	126	Y	Y	14.10	0.020	Y	Y	Y	Y
Sheerweave 2410 Performance Plus	9	3	96	Y	N	14.10	0.019	Y	Y	Y	Y
Sheerweave 2500	5	1	126	Y	Y	16.20	0.024	Y	Y	Y	Y
Sheerweave 2500 Performance Plus	9	1	96	Y	N	16.39	0.024	Y	Y	Y	Y
Sheerweave 2701	5	1	126	Y	Y	14.60	0.027	Y	Y	Y	Y
Sheerweave 2703	4	3	126	Y	Y	14.00	0.028	Y	Y	Y	Y
Sheerweave 2705	3	5	126	Y	Y	11.80	0.025	Y	Y	Y	Y
Sheerweave 2710	3	10	98	Y	Y	10.40	0.025	Y	Y	Y	Y
Sheerweave 3000	2	14	96	Y	Y	13.46	0.028	Y	Y	Y	Y
Sheerweave 4000	3	5	126	Y	Y	19.20	0.036	Y	Y	Y	Y
Sheerweave 4100	3	10	98	Y	Y	17.50	0.035	Y	Y	Y	Y
Sheerweave 4400	4	3	126	Y	Y	20.70	0.037	Y	Y	Y	Y
Sheerweave 4500	4	5	126	Y	Y	14.40	0.024	Y	Y	Y	Y
Sheerweave 4550	4	5	98	Y	Y	12.50	0.025	Y	Y	Y	Y
Sheerweave 4600	5	3	126	Y	Y	17.40	0.030	Y	Y	Y	Y
Sheerweave 4650	5	3	98	Y	Y	13.30	0.026	Y	Y	Y	Y
Sheerweave 4800	5	1	126	Y	Y	18.50	0.036	Y	Y	Y	Y
Sheerweave 4901	5	1	98	Y	Y	16.20	0.028	Y	Y	Y	Y
Sheerweave 4903	4	3	98	Y	Y	14.90	0.027	Y	Y	Y	Y
Sheerweave 5000	5	3 > 10	98	N	Y	12.3 > 16.1	.032 > .052	Y*	Y*	Y*	Y*
Sheerweave 7000	7	0	118	Y	Y	13.92	0.030	Y	Y	Y	Y
Sheerweave 7100	6	0	96	Y	Y	19.80	0.023	Y	Y	Y	Y
Sheerweave 7200R	3	0	118	N	Y	11.06	0.022	Y	Y	Y	Y
Sheerweave 7250R	2	LF	118	N	Y	6.19	0.018	Y	Y	Y	Y
Sheerweave 7400	7	0	118	N	Y	12.53	0.029	Y	Y	Y	Y
Sheerweave 7450	2	LF	118	N	Y	6.19	0.018	Y	Y	Y	Y
Sheerweave 7500	3	0	118	Y	Y	12.14	0.014	Y	Y	Y	Y
Sheerweave 7600	7	0	118	N	Y	11.80	0.020	Y	Y	Y	Y
Sheerweave 7650	4	LF	118	N	Y	6.20	0.014	Y	Y	Y	Y
Sheerweave 7700R	3	0	118	N	Y	12.09	0.026	Y	Y	Y	Y
Sheerweave 7750R	2	LF	118	N	Y	7.37	0.012	Y	Y	Y	Y
Sheerweave 8000	7	3	118	Y	Y	6.34	0.019	Y	Y	Y	Y
Sheerweave Infinity 1%	8	1	98	N	Y	14.63	0.032	Y	Y	Y	Y
Sheerweave Infinity 3%	7	3	98	N	Y	13.69	0.031	Y	Y	Y	Y
Sheerweave Infinity 5%	7	5	98	N	Y	12.82	0.030	Y	Y	Y	Y
T Screen 3%	5	3	98	Y	Y	11.60	0.025	Y	Y	Y	Y
T Screen Deco 1%	6	1	122	Y	Y	13.76	0.028	Y	Y	Y	Y
T Screen Deco 3%	5	3	122	Y	Y	12.98	0.028	Y	Y	Y	Y
T Screen Deco 5%	5	5	122	N	Y	11.89	0.028	Y	Y	Y	Y
T Screen Naturals 1%	6	1	122	Y	Y	13.83	0.027	Y	Y	Y	Y
T Screen Naturals 3%	5	3	122	Y	Y	12.59	0.027	Y	Y	Y	Y
T Screen Naturals 5%	5	5	122	N	Y	12.24	0.028	Y	Y	Y	Y
Textures (Note 1)	8	LF	78	Note 2	Y	8.85 > 13.27	.014 > .023	N	N	N	N
TFR/Cotton EI	2	LF	72	N	Y	6.40	0.009	Y	Y	Y	Y
Translucent Plus	1	0	72	Y	Y	9.60	0.013	Y	Y	Y	Y
Vienne 5%	3	5	98	Y	Y	11.83	0.018	Y	Y	Y	Y
Vienne 10%	3	10	98	Y	Y	10.91	0.019	Y	Y	Y	Y
Vista	8	0	110	N	Y	11.14	0.020	N	Y	N	Y
Vizela	7	LF	94	Y	Y	8.70	0.013	Y	Y	Y	Y
Wide Shade Blackout	2	0	120	Y	Y	17.90	0.017	Y	Y	Y	Y

NOTES

LF - Light Filtering

NA - Natural

*13 fabrics meet fire classification:reference sample card

Note 1 - The colors Madrid White, Madrid Vanilla, Madrid Taupe, Avesta White, Avesta Natural and Avesta Sand can use an external hembar only

Note 2 - All colors can be railroaded except Avesta White, Avesta Natural and Avesta Sand

GRID 1

Fabrics	Max Fabric Width	Window Opening Size															
		36	42	48	54	60	66	72	84	96	108	120	132	144	156	168	
Century/Opaque	72"	36	90	102	108	120	125	137	142	160	210	240	287	334	381	427	474
Duplex	72"	48	101	114	121	134	140	154	161	181	234	266	317	367	418	469	519
LinenGlass	72"	60	111	126	134	149	157	172	179	202	258	293	347	401	456	510	564
Moire	72"	72	122	137	147	163	173	188	198	255	281	319	378	435	493	551	608
Translucent Plus	72"	84	132	150	160	178	188	206	248	277	305	346	408	469	530	592	653
		96	142	161	174	191	234	254	266	297	329	384	447	510	573	635	698
		108	153	173	186	206	251	271	284	318	353	411	477	544	610	677	743
		120	163	185	200	252	266	288	303	340	376	437	508	577	648	718	788
		132	174	197	242	265	282	305	321	372	412	464	538	612	685	759	833
		144	184	208	255	280	297	322	340	393	436	490	568	645	723	800	878
		156	194	250	268	294	313	339	358	415	460	517	598	679	760	841	922
		168	205	261	282	309	329	357	376	436	484	543	628	712	798	882	967
		180	215	274	294	323	344	373	395	457	508	569	657	747	835	924	1012
		192	226	285	308	338	361	391	413	478	530	596	687	780	873	964	1057

■ Width(Inches) ■ Height(Inches)

GRID 2

Fabrics	Max Fabric Width	Window Opening Size															
		36	42	48	54	60	66	72	84	96	108	120	132	144	156	168	
Alkenz 3000 Net 5%	118"	36	106	121	127	140	148	161	167	188	248	283	338	394	449	504	560
Alkenz 3000 Net 10%	118"	48	119	134	142	158	165	182	189	213	276	314	374	434	493	553	613
NoLite	72"	60	131	149	158	175	184	202	211	238	304	345	410	474	538	602	666
Sheerweave 1000	96"	72	144	162	174	192	203	222	233	301	332	376	445	514	582	650	719
Sheerweave 3000	96"	84	156	176	188	209	222	242	292	326	360	409	480	553	626	699	772
Sheerweave 7250R	118"	96	167	190	204	226	277	300	314	350	388	453	527	602	676	751	825
Sheerweave 7750R	118"	108	180	204	219	243	295	319	335	375	416	485	564	642	721	799	878
TFR/Cotton El	72"	120	192	217	235	296	314	340	357	400	444	516	599	681	764	848	931
Wide Shade Blackout	120"	132	205	232	286	313	332	360	379	440	486	547	634	722	809	896	984
		144	217	245	301	331	350	381	400	465	515	578	670	761	853	944	1037
		156	230	294	316	347	369	400	422	490	543	609	705	802	898	993	1089
		168	241	308	332	364	388	420	444	515	571	641	742	841	942	1042	1142
		180	254	322	347	382	407	441	466	540	599	672	777	881	986	1091	1195
	192	266	336	363	398	425	461	488	565	627	703	812	921	1031	1139	1248	

■ Width(Inches) ■ Height(Inches)

GRID 3

Fabrics	Max Fabric Width	Window Opening Size															
		36	42	48	54	60	66	72	84	96	108	120	132	144	156	168	
Alkenz 3000 Net 1%	118"	36	127	144	154	170	180	197	206	232	292	341	400	461	520	580	640
Alkenz 3000 Net 3%	118"	48	145	163	176	194	207	226	237	268	334	387	453	520	587	653	720
E Screen 10%	122"	60	161	183	198	218	233	255	269	306	374	434	506	580	653	726	799
Sheerweave 2000	126"	72	179	202	219	243	260	284	301	374	416	480	560	640	720	799	879
Sheerweave 2100	98"	84	196	222	241	267	287	313	365	411	458	526	613	699	785	872	959
Sheerweave 2360	98"	96	212	241	263	292	345	374	396	448	499	584	675	766	857	947	1038
Sheerweave 2390	126"	108	230	261	285	316	371	404	428	485	541	631	728	826	924	1020	1118
Sheerweave 2705	126"	120	246	281	307	371	398	433	460	521	582	677	781	885	989	1093	1197
Sheerweave 2710	98"	132	264	300	359	396	425	462	492	570	635	724	834	945	1056	1166	1277
Sheerweave 4000	126"	144	281	319	382	420	452	492	523	606	677	771	887	1005	1122	1240	1356
Sheerweave 4100	98"	156	298	369	404	445	479	521	555	643	719	816	940	1065	1189	1312	1436
Sheerweave 7200R	118"	168	315	389	425	469	506	550	587	679	760	863	993	1124	1254	1385	1516
Sheerweave 7450	118"	180	332	408	447	494	532	579	619	717	802	909	1046	1184	1321	1458	1595
Sheerweave 7500	118"	192	349	427	469	518	560	608	650	753	843	956	1099	1244	1387	1531	1675
Sheerweave 7700R	98"																
Vienne 5%	98"																
Vienne 10%	98"																

■ Width(Inches) ■ Height(Inches) (1) SW2000 available colors in 126" widths: P02, P04, P05, Q05Q06, Q10 & V21. All others are 96" wide.

Please order by "Window Opening Sizes" – Do not add for wrap.

Railroading Fabric: Any shade wider than the maximum fabric width listed will have the fabric "Railroaded". ie: the fabric will be turned sideways, using fabric width for height. Note that not all fabrics can be Railroaded. Those fabrics that cannot be Railroaded the shade width is limited to the fabric width. Check the fabric chart for more details. See the "Railroaded Fabric" section on page 2 for more detailed information. Seams: Any shade wider and higher than the maximum fabric width listed will have one (or more) visible horizontal seams.

See current published shipping policy for commercial and residential delivery.

GRID 4

Fabrics	Max Fabric Width	Window Opening Size															
		Width	36	42	48	54	60	66	72	84	96	108	120	132	144	156	168
E Screen 3%	122"	36	149	168	179	199	210	229	240	270	342	398	470	541	612	682	753
E Screen 5%	122"	48	168	190	205	227	240	263	277	313	390	451	530	608	687	765	844
M Screen 3%	122"	60	188	213	230	255	271	296	313	355	437	505	591	677	763	849	935
M Screen 5%	122"	72	208	236	255	283	303	330	349	437	485	558	652	746	839	933	1026
Sheerweave 2410	126"	84	228	258	281	311	333	364	424	478	532	612	712	813	914	1016	1117
Sheerweave 2703	126"	96	248	281	306	339	401	436	461	520	579	679	784	890	996	1102	1208
Sheerweave 4400	126"	108	267	303	331	367	433	470	497	563	627	732	846	959	1072	1186	1299
Sheerweave 4500	98"	120	287	326	356	433	464	503	534	604	675	785	906	1026	1148	1269	1390
Sheerweave 4550	98"	132	307	348	418	461	494	537	570	660	736	838	966	1095	1224	1352	1481
Sheerweave 4903	98"	144	326	370	443	489	525	570	606	703	784	891	1028	1164	1300	1436	1572
Sheerweave 7650	118"	156	345	430	469	517	555	604	643	745	832	944	1088	1231	1376	1519	1663
	118"	168	365	452	494	545	587	638	679	786	879	997	1148	1300	1451	1603	1754
	180	385	474	519	573	618	671	716	762	829	927	1050	1210	1368	1527	1686	1845
	192	405	497	544	601	648	705	752	800	870	974	1103	1270	1436	1603	1769	1936

■ Width(Inches) ■ Height(Inches) (2) SW4400 available colors in 126" widths: P06, P07, P10, Q12, Q15, Q16 & V10. All other colors are available in 98" wide.

GRID 5

Fabric	Max Fabric Width	Window Opening Size															
		36	42	48	54	60	66	72	84	96	108	120	132	144	156	168	
Green Screen Revive 5%	122"	36	168	189	205	226	241	262	278	314	382	453	525	598	670	743	815
M Screen 1%	122"	48	193	218	237	262	282	307	326	369	444	523	606	688	772	855	937
M Screen Deco 3%	98"	60	218	248	269	298	321	350	373	425	508	594	687	780	874	966	1059
M Screen Deco 5%	98"	72	243	276	303	335	362	394	421	511	571	665	769	872	974	1078	1181
Meridian Blackout	118"	84	268	305	335	371	402	439	498	566	633	735	849	963	1076	1190	1303
Sheerweave 2500	126"	96	293	334	368	408	471	512	546	621	697	816	938	1061	1182	1304	1426
Sheerweave 2701	126"	108	318	362	400	444	511	555	594	677	759	887	1019	1151	1283	1415	1548
Sheerweave 4600	126"	120	343	391	433	510	551	600	642	732	823	958	1100	1243	1385	1528	1670
Sheerweave 4650	98"	132	368	420	493	546	592	644	690	799	896	1029	1181	1334	1486	1639	1792
Sheerweave 4650	126"	144	393	449	526	582	631	687	737	854	959	1099	1263	1425	1588	1751	1914
Sheerweave 4800	98"	156	418	505	558	619	672	732	785	909	1022	1170	1343	1516	1690	1863	2036
Sheerweave 4901	98"	168	443	535	591	655	711	776	833	964	1086	1241	1424	1608	1791	1975	2158
Sheerweave 5000	98"	180	468	563	624	692	752	820	881	1020	1148	1311	1505	1698	1893	2086	2281
T Screen 3%	122"	192	493	592	656	728	792	864	929	1075	1212	1381	1586	1790	1994	2199	2402
T Screen Deco 3%	122"																
T Screen Deco 5%	122"																
T Screen Naturals 3%	122"																
T Screen Naturals 5%	122"																

■ Width(Inches) ■ Height(Inches)

GRID 6

Fabrics	Max Fabric Width	Window Opening Size															
		36	42	48	54	60	66	72	84	96	108	120	132	144	156	168	
E Screen 1%	122"	36	193	218	234	259	276	301	317	358	440	520	605	692	778	863	950
Green Screen Revive 1%	118"	48	220	250	270	300	320	348	369	419	510	597	694	791	888	986	1083
Natte 10%	98"	60	249	282	307	339	364	397	422	479	578	674	782	891	999	1108	1216
S Screen	122"	72	277	313	342	380	409	445	474	580	647	752	872	991	1111	1230	1350
Sheerweave 7100	96"	84	304	345	379	419	452	494	566	641	717	829	960	1090	1221	1352	1483
T Screen Deco 1%	122"	96	332	378	414	460	535	581	618	702	785	920	1060	1199	1337	1477	1616
T Screen Naturals 1%	122"	108	360	409	450	500	579	629	671	762	854	997	1148	1298	1449	1600	1749
		120	387	441	487	578	623	678	723	824	924	1075	1237	1398	1560	1721	1882
		132	415	473	560	618	668	726	776	899	1007	1152	1325	1498	1670	1843	2016
		144	443	504	595	658	711	775	828	959	1075	1229	1413	1597	1782	1966	2150
		156	470	573	631	698	756	823	881	1020	1145	1306	1502	1697	1892	2087	2283
		168	498	605	667	738	800	872	933	1081	1214	1384	1590	1797	2003	2210	2416
		180	526	638	703	778	844	919	986	1142	1282	1461	1679	1896	2114	2332	2549
		192	553	669	739	818	888	968	1038	1202	1352	1538	1767	1996	2225	2453	2682

■ Width(Inches) ■ Height(Inches)

Please order by "Window Opening Sizes" - Do not add for wrap.

Railroading Fabric: Any shade wider than the maximum fabric width listed will have the fabric "Railroaded", i.e. the fabric will be turned sideways, using fabric width for height. Note that not all fabrics can be Railroaded. Those fabrics that cannot be Railroaded the shade width is limited to the fabric width. Check the fabric chart for more details. See the "Railroaded Fabric" section on page 2 for more detailed information. **Seams:** Any shade wider and higher than the maximum fabric width listed will have one (or more) visible horizontal seams.

See current published shipping policy for commercial and residential delivery.

www.porterpreston.com • Tel: 866-753-1113 • Fax: 203-597-8828 • email: customerservice@porterpreston.com

GRID 7

Fabrics	Max Fabric Width	Window Opening Size															
			36	42	48	54	60	66	72	84	96	108	120	132	144	156	168
Avila Twilight	118"	36	214	241	260	287	306	333	353	398	486	576	669	761	855	947	1040
Chi Light Filtering	94"	48	245	277	301	333	357	389	412	468	565	665	770	876	982	1088	1194
Gold Chic	110"	60	277	313	342	379	407	444	472	538	644	753	872	990	1109	1227	1347
Natte 5%	98"	72	308	349	383	424	458	499	532	647	723	841	972	1104	1236	1368	1500
Palm Beach Light Filtering	118"	84	340	386	423	470	508	554	631	717	802	930	1074	1219	1363	1508	1653
Seada	108"	96	371	422	465	516	596	648	691	786	881	1033	1187	1342	1496	1650	1805
Sheerweave Infinity 3%	98"	108	402	459	505	562	647	703	751	855	959	1121	1289	1456	1623	1791	1958
Sheerweave Infinity 5%	98"	120	434	494	547	645	697	759	811	925	1038	1210	1389	1570	1750	1930	2111
Sheerweave 7000	118"	132	466	530	624	691	748	814	870	1009	1132	1298	1491	1684	1877	2071	2264
Sheerweave 7400	118"	144	497	567	666	736	798	869	931	1078	1211	1386	1592	1798	2004	2210	2417
Sheerweave 7600	118"	156	528	640	706	782	849	925	991	1147	1290	1475	1693	1913	2132	2350	2570
Sheerweave 8000	118"	168	560	676	748	828	899	980	1050	1217	1369	1563	1795	2027	2259	2491	2723
Vizela	94"	180	592	712	788	874	950	1035	1111	1286	1448	1652	1896	2141	2386	2630	2876
		192	623	749	829	919	1000	1090	1171	1356	1527	1740	1998	2255	2513	2771	3028

■ Width(Inches) ■ Height(Inches)

GRID 8

Fabrics	Max Fabric Width	Window Opening Size															
			36	42	48	54	60	66	72	84	96	108	120	132	144	156	168
Chi Blackout	94"	36	228	256	277	306	356	356	375	425	516	613	710	808	906	1004	1101
Dizz	78"	48	261	295	321	356	381	415	441	500	601	709	821	932	1044	1155	1267
Nuance	78"	60	295	335	365	405	436	475	505	576	687	805	931	1056	1181	1307	1433
Palm Beach Blackout	118"	72	330	373	410	454	490	535	571	692	773	901	1040	1180	1320	1459	1600
Sheerweave Infinity 1%	98"	84	363	413	454	503	545	594	675	766	858	996	1150	1304	1458	1611	1765
Textures	78"	96	397	451	498	553	638	693	739	841	944	1107	1272	1436	1602	1766	1931
Vista	110"	108	432	491	543	602	692	753	805	917	1030	1203	1382	1561	1739	1918	2097
		120	465	530	587	690	747	812	869	992	1115	1299	1491	1685	1877	2070	2263
		132	499	569	668	739	801	873	934	1082	1215	1395	1602	1809	2016	2222	2428
		144	534	608	712	788	856	932	999	1158	1301	1490	1712	1932	2153	2374	2595
		156	567	684	756	838	910	992	1064	1232	1386	1587	1821	2056	2291	2526	2761
		168	601	724	801	887	965	1051	1129	1307	1472	1683	1931	2180	2429	2678	2927
		180	634	762	846	937	1019	1112	1194	1383	1558	1778	2042	2304	2567	2830	3093
		192	669	802	889	986	1074	1171	1259	1458	1643	1874	2151	2428	2704	2982	3258

■ Width(Inches) ■ Height(Inches)

GRID 9

Fabrics	Max Fabric Width	Window Opening Size															
			36	42	48	54	60	66	72	84	96	108	120	132	144	156	168
Sheerweave 2390 Performance Plus	96"	36	255	287	311	343	367	399	423	479	576	687	795	902	1009	1116	1222
Sheerweave 2410 Performance Plus	96"	48	293	332	362	400	430	468	498	566	675	799	921	1045	1168	1292	1414
Sheerweave 2500 Performance Plus	96"	60	333	376	413	457	493	537	573	653	774	909	1048	1188	1328	1467	1607
		72	371	421	464	514	555	606	648	780	873	1020	1176	1331	1487	1643	1798
		84	411	467	515	571	619	675	761	866	972	1130	1303	1475	1646	1819	1991
		96	449	512	566	627	720	783	836	954	1071	1256	1441	1627	1813	1998	2183
		108	489	556	617	684	782	852	911	1040	1170	1368	1568	1770	1972	2174	2375
		120	527	601	668	779	846	920	986	1127	1269	1478	1696	1914	2131	2349	2567
		132	566	646	755	836	908	989	1061	1229	1382	1589	1823	2057	2291	2525	2759
		144	605	692	806	893	971	1058	1136	1316	1481	1699	1950	2201	2450	2701	2952
		156	644	773	857	951	1034	1127	1211	1403	1580	1811	2077	2343	2610	2877	3143
		168	683	818	908	1007	1097	1196	1285	1489	1679	1921	2204	2487	2770	3052	3335
		180	722	863	959	1064	1160	1265	1360	1577	1777	2032	2331	2630	2930	3228	3528
		192	761	908	1010	1121	1223	1333	1435	1663	1876	2142	2459	2774	3089	3404	3719

■ Width(Inches) ■ Height(Inches)

Please order by "Window Opening Sizes" – Do not add for wrap.

Railroading Fabric: Any shade wider than the maximum fabric width listed will have the fabric "Railroaded", i.e. the fabric will be turned sideways, using fabric width for height. Note that not all fabrics can be Railroaded. Those fabrics that cannot be Railroaded the shade width is limited to the fabric width. Check the fabric chart for more details. See the "Railroaded Fabric" section on page 2 for more detailed information. **Seams:** Any shade wider and higher than the maximum fabric width listed will have one (or more) visible horizontal seams.

See current published shipping policy for commercial and residential delivery.

GRID 10

Fabrics	Max Fabric Width	Window Opening Size															
		36	42	48	54	60	66	72	84	96	108	120	132	144	156	168	
Flocke Laminates	94"	36	324	365	397	438	470	511	543	616	730	877	1007	1138	1268	1399	1529
		48	375	424	465	514	553	602	643	732	862	1025	1177	1330	1482	1635	1788
		60	427	484	532	589	638	695	743	849	994	1173	1348	1523	1697	1871	2046
		72	478	544	600	665	722	786	843	1005	1127	1322	1518	1715	1912	2107	2304
		84	530	603	668	740	805	878	982	1121	1259	1471	1689	1907	2126	2344	2562
		96	581	662	735	816	927	1009	1082	1237	1392	1634	1871	2108	2345	2583	2820
		108	633	722	803	892	1011	1101	1182	1353	1525	1783	2042	2300	2559	2819	3078
		120	684	782	870	1006	1095	1193	1282	1470	1657	1931	2212	2493	2775	3056	3336
		132	736	841	976	1082	1178	1285	1382	1601	1803	2080	2383	2685	2989	3292	3594
		144	787	901	1043	1158	1263	1377	1482	1716	1935	2229	2553	2878	3203	3528	3853
		156	839	997	1111	1233	1347	1470	1582	1832	2060	2376	2724	3070	3417	3764	4111
		168	890	1057	1178	1309	1430	1561	1683	1949	2201	2525	2894	3262	3632	4000	4369
		180	942	1117	1246	1385	1514	1653	1783	2065	2333	2674	3065	3455	3846	4237	4627
	192	994	1176	1314	1460	1598	1745	1882	2181	2466	2823	3235	3647	4060	4473	4885	

■ Width(Inches) ■ Height(Inches)

GRID 11

<u>Brackets & Accessories</u>		<u>Manual Clutch Accessories</u>	
Banded Shade Coupler Acmeda 56	106	SafetyHold3	4
Banded Shade Coupler Acmeda 44	81	Stainless Steel & Other Finish Chain	11
4" Fascia Bracket & Indexable Coupler Set	112	Outdoor Clutch	6
7" Fascia Dual Shade Bracket	204	Galaxy 200 Clutch	44
7" Dual Coupler Set	300	Galaxy 400 Clutch	56
<u>Spring Assist</u>		EasySpring Plus Cordless System	83
R Series Pin End Spring Assist	33	Batten Surcharge per Foot, per Batten	18
Skyline Pin End Spring Assist	33	<u>Skyline Bottom Up Roller Shades</u>	
R Series & Skyline Spring Assist 36"	164	Width	36" 48" 60" 72" 84" 96"
R Series & Skyline Spring Assist 45"	168	MSRP	279 349 418 488 558 627

Fascia	Window Opening Size															
	36	42	48	54	60	66	72	84	96	108	120	132	144	156	168	
Fascia including Brackets																
3" uncovered fascia	52	57	62	69	74	79	85	97	107	119	130	140	152	163	175	
4" uncovered fascia	67	74	80	87	94	101	107	121	134	148	161	175	188	201	215	
Universal 5" uncovered fascia system (dual or single)	103	115	129	141	155	167	181	193	207	219	233	245	259	271	285	
7" Dual Shade uncovered fascia	320	361	401	442	483	523	563	603	644	684	725	765	806	847	887	
3" covered fascia	129	144	157	171	185	199	213	240	268	296	324	352	380	408	436	
4" covered fascia	167	184	201	218	235	252	268	302	336	369	402	437	470	503	538	
5" covered fascia	308	347	386	425	464	503	542	580	620	658	698	736	776	814	854	

Please order by "Window Opening Sizes" – Do not add for wrap.

Railroading Fabric: Any shade wider than the maximum fabric width listed will have the fabric "Railroaded", ie: the fabric will be turned sideways, using fabric width for height. Note that not all fabrics can be Railroaded. Those fabrics that cannot be Railroaded the shade width is limited to the fabric width. Check the fabric chart for more details. See the "Railroaded Fabric" section on page 2 for more detailed information. **Seams:** Any shade wider and higher than the maximum fabric width listed will have one (or more) visible horizontal seams.

See current published shipping policy for commercial and residential delivery.

www.porterpreston.com • Tel: 866-753-1113 • Fax: 203-597-8828 • email: customerservice@porterpreston.com

Fabrics	Window Opening Size														
	36	42	48	54	60	66	72	84	96	108	120	132	144	156	168
Cassettes															
Cassette 100	77	87	97	106	116	126	135	155	174	193	212	232	251	270	290
Cassette 120	86	97	107	119	129	139	151	172	193	214	236	258	279	301	321
Valance and Hembar															
Standard Inserted Valance	40	46	50	55	60	63	66	79	86	97	105	113	123	130	137
Soft Valance	40	46	50	55	60	63	66	79	86	97	105	113	123	130	137
External oval hembar	32	41	45	49	53	57	60	66	74	82	90	99	107		
Lower Access Fascia															
3" lower access fascia & hanger (3" flap & hanger)	46	60	76	90	106	121	136	152	166	182	197	212	227	242	258
5" lower access fascia & hanger (5" flap & hanger)	52	67	82	94	98	112	128	158	173	188	204	218	234	249	264
Shade Boxes															
3" x 3" shade box w/ bottom closure (note 1)	104	138	173	208	242	277	312	346	381	415	450	485	519	553	589
4" x 4" shade box w/ bottom closure (note 1)	107	145	183	220	259	296	334	372	410	448	486	523	562	599	638
4 3/4" x 5" or 5" x 5" shade box w/ bottom closure (note 2)	150	199	249	298	348	398	448	497	547	597	647	697	747	796	846
6" x 6" shade box w/ bottom closure (note 2)	229	305	382	458	534	610	686	762	839	915	991	1068	1144	1220	1297
Side Rails and Sill Channel/Angle															
Standard 1 piece side rails (note 3)	58	69	78	87	98	107	116	136	156	175	194	214	234	253	272
Sill channel / angle	52	60	70	78	86	96	104	121	138	156	173	190	208	225	242
Zip Track with side rails and bottom channel Please call for quote Note 1 - End caps for 3" and 4" shade boxes are \$9.00 each Note 2 - End caps for 5" and 6" shade boxes are \$14.00 each Note 3 - the MSRP is for one side only. 2 sides are typically needed for this application.															

Please order by "Window Opening Sizes" – Do not add for wrap.

Railroading Fabric: Any shade wider than the maximum fabric width listed will have the fabric "Railroaded", ie: the fabric will be turned sideways, using fabric width for height. Note that not all fabrics can be Railroaded. Those fabrics that cannot be Railroaded the shade width is limited to the fabric width. Check the fabric chart for more details. See the "Railroaded Fabric section on page 2 for more detailed information. Seams: Any shade wider and higher than the maximum fabric width listed will have one (or more) visible horizontal seams.

See current published shipping policy for commercial and residential delivery.

www.porterpreston.com • Tel: 866-753-1113 • Fax: 203-597-8828 • email: customerservice@porterpreston.com

GRID 12

SOMFY RTS		
Part #	Battery Powered RTS	MSRP
1240292	Somfy R28 RTS Battery Motor includes wand and batteries	490
Low Voltage RTS		
Sonesse 30 Motors/Controls		
1001524	Sonesse 30 RTS 24 Volt Motor	658
1134023	Sonesse ULTRA 504 A8 DC RTS	915
Battery & Low Voltage Options		
9018685	12V DC Reloadable Battery Tube	58
9014834	8 AA Lithium Battery Package (for battery tube #9018685)	79
1822445	12V DC Plug-in Power Supply with 3m cable (white) for RA28	220
9019235	Somfy 12V DC Rechargeable Solar Battery Pack/Tube/Wand/Kit	298
1822209	24v Single Motor Wall Wart Power Supply (for ST-30 & ULTRA DC)	96
	24v 5 Motor Power/Distribution Panel (for ST-30 & ULTRA DC)	783
	24v 10 Motor Power/Distribution Panel (for ST-30 & ULTRA DC)	1178
Line Voltage RTS Motors		
1001636	Somfy Sonesse 40 RTS 404S2	726
1001638	Somfy Sonesse 40 RTS 409R2	764
1002562	Sonesse ULTRA 506A2 RTS	816
1001809	Sonesse 506S2 RTS	689
1001807	Sonesse 510S S2 RTS	908
1043287	Altus 50 RTS 525A2	898
Line Voltage RTS Cable Options		
	Angle Plug Loose (for Sonesse 40 Motor)	30
	Angle Plug installed on motor (for Sonesse 40 Motor)	50
9019952	RTS AC Cord WITH Plug Installed on Motor 3' (LT 50)	51
9019953	RTS AC Cord with Plug Installed on Motor 6' (LT 50)	58

SOMFY RTS		
Part #	Line Voltage RTS Cable Options Continued	MSRP
9012145	RTS AC Cord with Plug Installed on Motor 12' (LT 50)	60
9012151	RTS AC Cord with Plug Installed on Motor 18' (LT 50)	71
9012146	RTS AC Cord with Plug Installed on Motor 24' (LT 50)	107
9203866	RTS Motor Cable WITHOUT Plug 12' (LT 50)	33
9001537	RTS Motor Cable WITHOUT Plug 18' (LT 50)	44
9001264	RTS Motor Cable WITHOUT Plug 24' (LT 50)	81
RTS Controls		
1810632	Telis 1 Pure	117
1810643	Telis 1 Patio	147
1810639	Telis 1 Silver	183
1810650	Telis 1 Lounge	183
1811081	Telis 16 Pure	483
1805237	Telis 1 Chronis Pure	384
1810633	Telis 4 Pure	151
1810645	Telis 4 Patio	205
1810641	Telis 4 Silver	222
1810652	Telis 4 Lounge	222
1811082	Telis 16 Silver	531
1800128	Situo 1 RTS Pure	130
1800139	Situo 5 RTS Pure	180
1811533	Smooove 1 RTS Pure	143
1810791	RTS Repeater	393
1810872	Somfy Universal RTS Interface II (URTSI)	865
1810627	Universal RTS Receiver for 110v Motors	400
9013707	RTS Sunis Indoor WireFree Sun Sensor	420
1811403	MyLink RTS Smartphone & Tablet Interface	412

GRID 12
continued

SOMFY RTS						
DecoFlex in Wall Wireless Remote Controls						
White			Ivory		Black	
Part #	MSRP	Part #	MSRP	Part #	MSRP	
DecoFlex 1	1810897	272	1810898	272	1810830	314
DecoFlex 2	1811068	276	1811069	276	1811073	318
DecoFlex 3	1811071	279	1811072	279	1811070	322
DecoFlex 4	1811074	282	1811075	282	1811067	326
DecoFlex 5	1810813	286	1810814	286	1810899	329
Part #	MSRP					
1811185	DecoFlex Table Top White	63				
1811051	DecoFlex Table Top Black	63				

SOMFY STANDARD (NON RTS)		
Part #	Standard Motors	MSRP
1001553	Sonesse 40 Standard 404S2	478
1001557	Sonesse 40 Standard 409R2	513
1002558	Sonesse ULTRA Standard 506A2	646
1001814	Sonesse 50 Standard 506S2	562
1001813	Sonesse 50 Standard 510S2	685
1043024	Altus 50 Standard 525A2	697
Standard Motor Cable Options		
9012160	Anderson Power Plug Installed on Motor side (male-white) 12"	25
9012161	Anderson Power Plug Installed on J-Box side (female-black) 60"	26
	Wago Plug loose	33
	Wago Plug Installed on Motor	48
9686057	Standard Motor Cable 4 wire by the foot	3
9018345	10' plug in cable for 4 wire LT-50 standard	57
9203812	24' plug in cable for 4 wire LT-50 standard	121
Controls for Standard Motor		
1810476	IGC 4n1 Motor Controller	775
1811402	Decoflex Dry Contact Keypad	101
1811492	IGC 4n1 RTS Radio Receiver	315
1800374	Single Pole Double Throw Maintained Decora Switch White	40
1800373	Single Pole Double Throw Maintained Decora Switch Ivory	36
1800375	Double Pole Double Throw Maintained Decora Switch White	73
1800376	Double Pole Double Throw Maintained Decora Switch Ivory	73

SOMFY RS485 SDN (SOMFY Digital Network)		
Part #	RS485 Motors	MSRP
1134022	Sonesse ULTRA 504 A8 DC RS485	1072
1002286	Sonesse 506S2 RS485	946
1002566	Sonesse ULTRA 506A2 RS485	1005
1002287	Sonesse 510S2 RS485	1065
RS485 Power & Data Cable Options		
Power & Data (Grey)		
9018545	4 Cond. 26 AWG modular cable with RJ9 on one end and RJ45 other end-2.5 ft.	22
9018546	4 Cond. 26 AWG modular cable with RJ9 on one end and RJ45 other end-8 ft.	34
9018547	4 Cond. 26 AWG modular cable with RJ9 on one end and RJ45 other end-12 ft.	39
9018548	4 Cond. 26 AWG modular cable with RJ9 on one end and RJ45 other end-24 ft.	49
Data Only (Black)		
9018541	4 Cond. 26 AWG modular cable with RJ9 on one end and RJ45 other end-2.5	22
9018542	4 Cond. 26 AWG modular cable with RJ9 on one end and RJ45 other end-8 ft.	34
9018543	4 Cond. 26 AWG modular cable with RJ9 on one end and RJ45 other end-12 ft.	39
9018544	4 Cond. 26 AWG modular cable with RJ9 on one end and RJ45 other end-24 ft.	49
RS485 Accessories		
1822440	Buss & Sensor Station Power Supply	269
1870259	Power Panel for SDN	3157
1870262	Data HUB	145
1870272	Somfy Connect Universal Automation Interface (UAI) Plus	1033
9015260	USB to RS485 Adaptor for SDN	799
9017142	RS485 Motor Limit Setting & Address Reader Tool	756
9019873	RS485 Sonesse ULTRA 50 Dc SETTING Tool Cable - 20'	175
1811252	SDN Decoflex Key Pad 6 button (white)	269
1811253	SDN Decoflex Key Pad 8 button (white)	290
1800219	Dry Contact Open, Close, Stop Wall Switch (White)	137
1800220	Dry Contact Open, Close, Stop Wall Switch (Ivory)	144
1822294	RTS Receiver for SDN	192

GRID 13

QMOTION	
GEN 3 BATTERY	
Shade Width"	MSRP
15 1/2" - 36"	780
36 1/8" - 72"	812
72 1/8" - 108"	852
108 1/8" - 144"	880
Controls	
Gen 3 Single Channel Remote	59
Gen 3 Multi Channel Remote	72
Wall Plate-Remote	14
ZIGBEE	
15 1/2" - 36"	888
36 1/8" - 72"	910
72 1/8" - 108"	938
108 1/8" - 144"	976
Controls	
ZigBee Multi Channel Remote	72
Wall Plate-Remote	14
Qube-Gateway/Bridge	310
Range Extender for ZigBee	159
QIS HARDWIRED	
15 1/2" - 144"	934
Controls	
ZigBee Multi Channel Remote	72
Wall Plate-Remote	14
Qube-Gateway/Bridge	310
Range Extender for ZigBee	159
Power & Communication Panel-8 ports	236
QIS Wire Adapter	22



Fabricator of Automated & Custom Window Coverings

LIFETIME LIMITED WARRANTY FOR CUSTOM ROLLER SHADES

Porter Preston proudly extends a lifetime-limited warranty on the enclosed product to the original retail purchaser as long as the product remains in the original window.

WARRANTY COVERAGE

Entire product against manufacturing defects (i.e., a flaw in the product design, materials or workmanship that causes the product to no longer function).....Lifetime

All fabric (except laminated shades).....5 years

Somfy products.....5 years

NOT COVERED

Normal wear and tear

Any product that fails due to:

- abuse
- exposure to salt air
- improper installation
- accident
- extraordinary use
- improper operation
- alterations
- improper cleaning
- misapplication
- damage from pets/insects
- improper handling
- misuse

Any product that, with the

passage of time, has:

- loss of color intensity

Costs associated with:

- product removal
- transportation to and from the retailer
- brand label removal
- product remeasure
- incidental or consequential damages
- product reinstallation
- shipping

In the event there are multiple shades in the same room, only the defective shade will be replaced.

If damage occurred during shipping, call 1-866-753-1113 and report within 14 calendar days or else you may be denied credit for your damaged product.

Any unauthorized returns will not be accepted.

THIS SHALL BE YOUR SOLE REMEDY UNDER THIS LIMITED WARRANTY.

If this product is found to have a manufacturing defect in materials or workmanship, we will (at our discretion) do one of the following:

- repair the product
- replace the product
- refund the cost of the product
- Colors vary from lot to lot and may not exactly match sample swatch or previous purchases.
- Discontinued items or color selections will be replaced with the closest equivalent current product.

YOUR RIGHTS UNDER STATE LAW

This lifetime limited warranty gives you specific legal rights, and you may have other rights, which vary from state to state. Some states do not allow limitations on how long a warranty lasts, so the above limitations may not apply to you. No agent, representative, dealer, or unauthorized employee has the authority to increase or alter the obligation of this warranty. This lifetime limited warranty supersedes any previous versions.