

REVISIONS				
ZONE	REV	DESCRIPTION	DATE	APPROVED

Parcel #: EXAMPLE

(44) CSI 230W
SOLAR COLLECTORS
30 DEGREE TILT
147 DEGREE AZIMUTH

INVERTERS
INSIDE GARAGE
(2) DC DISCONNECT
SWITCHES
INSIDE GARAGE

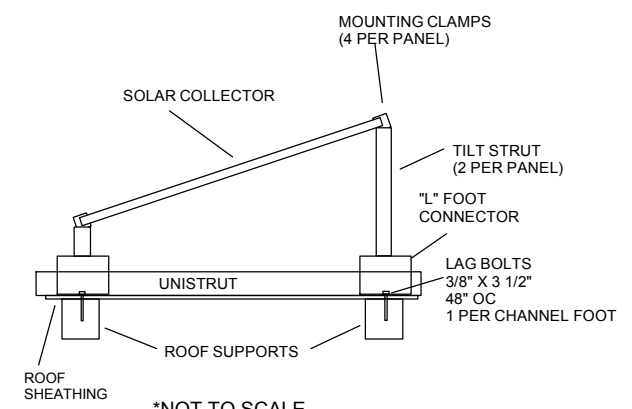
2 1/2" SCHEDULE 40
CONDUIT RUN
UNDER GROUND

(1) 1 1/4" EMT CONDUIT
RUN OVER ROOF

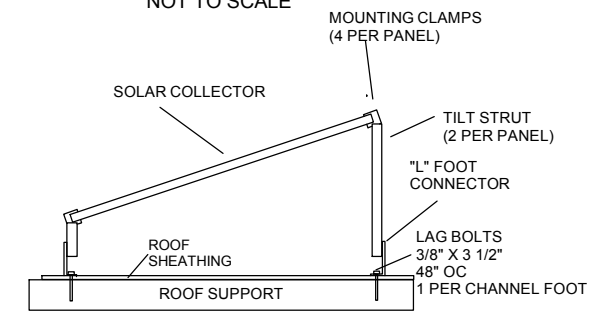
(1) 1 1/4" EMT CONDUIT
RUN ALONG WALL

PHOTOVOLTAIC SYSTEM
UTILITY DISCONNECT
SWITCH AND DEDICATED
KWH METER

VADO CT



*NOT TO SCALE



ROOF TYPE: FLAT
SUPPORT TYPE: TRUSS
YEAR BUILT: 1998

ALL EQUIPMENT TO COMPLY WITH NEC 2008



No. of Modules	No. of Attachment Points	Dead Load per Attachment (lbs/point)	Live Load per Attachment (lbs/point @ 90mph wind)	Dead Load per Area (lbs/sqft)	Live Load per Area (lbs/sqft @ 90mph wind)
44	176	12	54.28	2.52	20.736

COMPANY ADDRESS AND PHONE	COMPANY NAME		
COMPANY LOGO	10120 W-DC-STC PHOTOVOLTAIC SYSTEM PROPERTY LAYOUT EXAMPLE ADDRESS, PHOENIX, AZ		
CUSTOMER: EXAMPLE	SIZE	FSM NO.	DWG NO.
DRAWN: TMH	SCALE	SHEET	