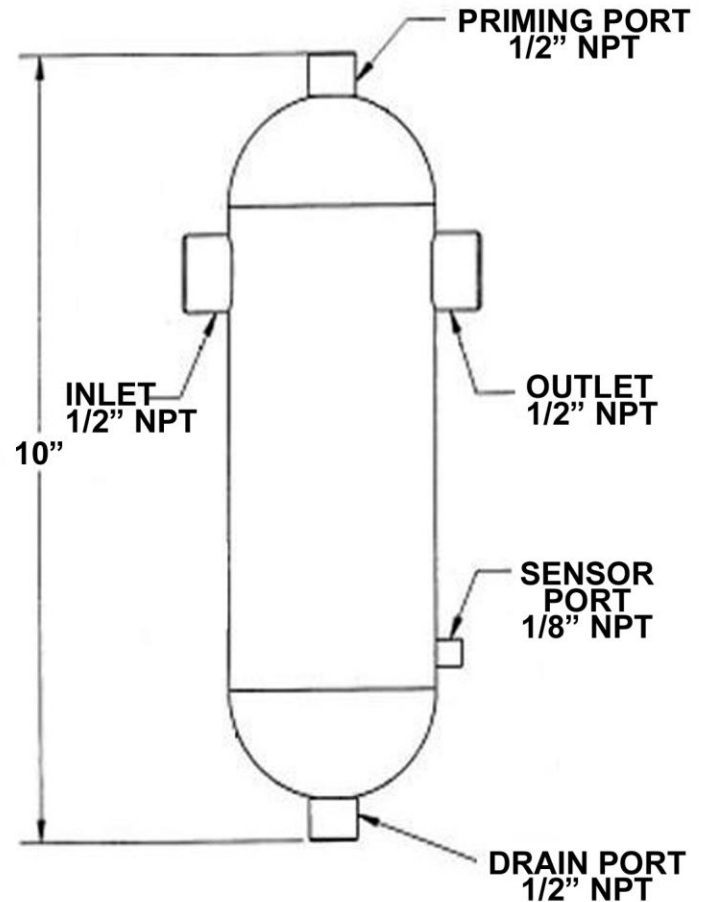
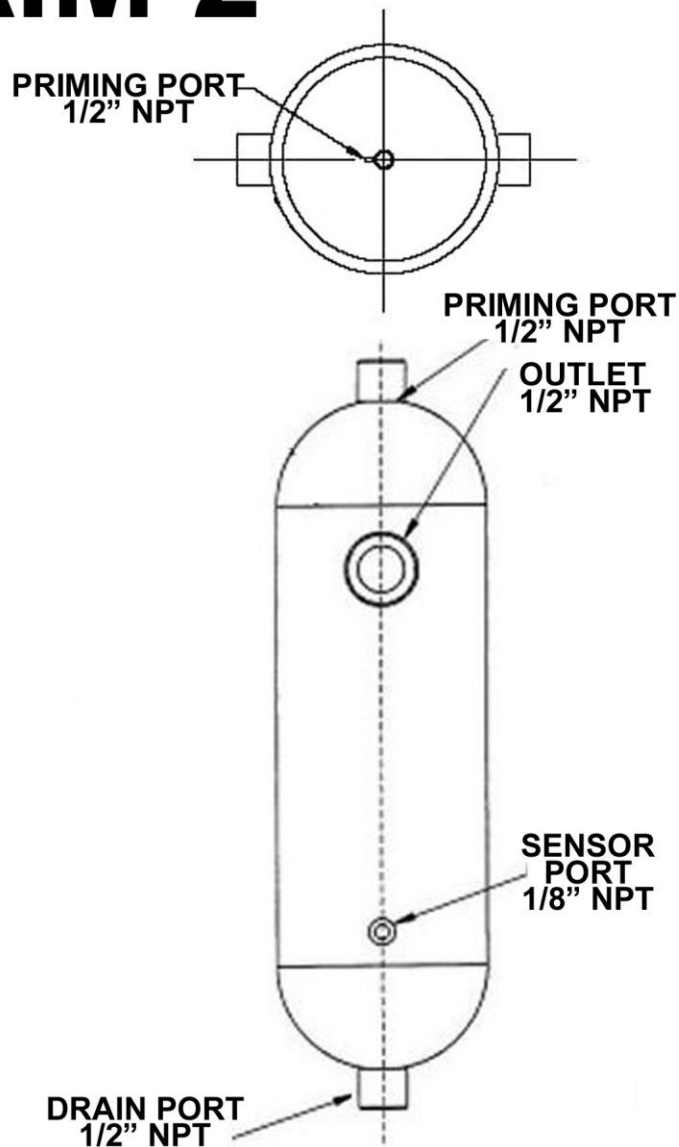



AIM 2



MAX FUEL FLOW: 2 G.P.M. (7.6 L.P.M.)
IN/OUT FITTINGS: 1/2" NPT
DIMENSIONS: H 10" D 3"
GROSS WEIGHT; 5 LBS
DRAIN PORT: 1/2" NPT
SENSOR PORT: 1/8" NPT

| | | | | | | |
|--------------------|--|-------------|------------|--|---|-----------------------|
| Drawing References | Statement | Plot scale | Dwg. Scale | Tolerances |  AgrindMar GLOBAL, LLC Tel: +1 866 448 4231 www.agrindmar.com | Model # AIM 2 |
| | These drawings were made on behalf of Agrindmar Global LLC. for the use of their clients only. | 1:1 | None | Actual Purifier dimensions may vary by + or - 1/4" | | Drawing # 0201 |
| | | Approved by | Drawn by | | | Rev |
| | | Date | by | Date | Initials | |
| | | | | | | |
| | | | | | | |
| | | | | | | |