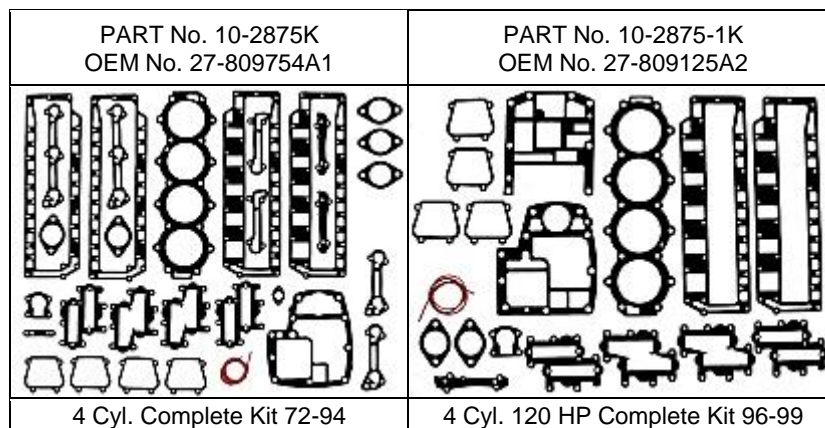
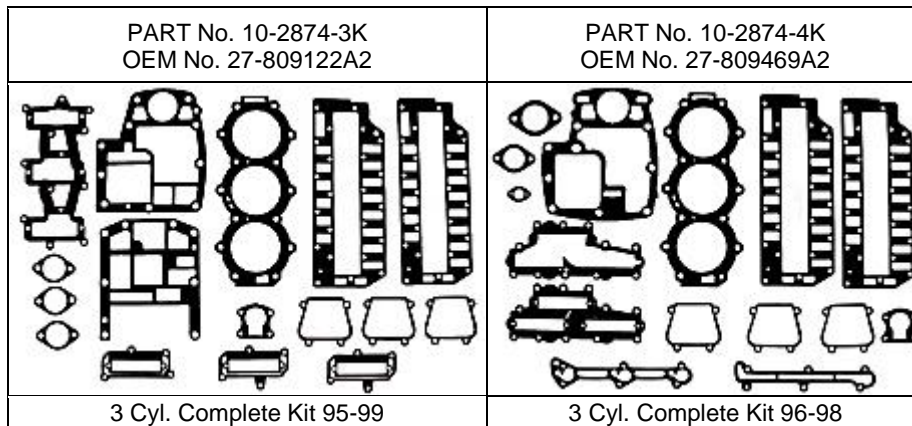
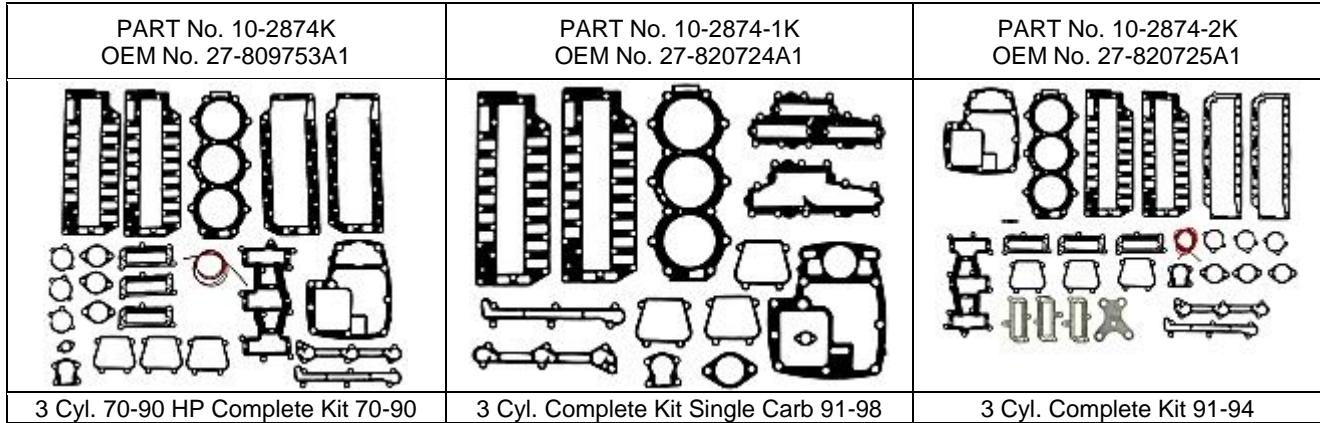


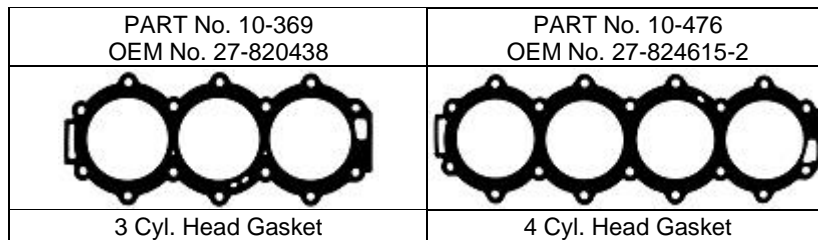
CHRYSLER / FORCE

DESCRIPTION	OEM NO.	OUR PART NO.	DISTRIBUTOR	DEALER
All descriptions are for reference only.				
Gasket kits do not contain a seal kit.				
Power Head Kits				
3 Cyl. 70-90 HP Complete Kit 70-90	27-809753A1	10-2874K		
3 Cyl. Complete Kit Single Carb 91-98	27-820724A1	10-2874-1K		
3 Cyl. Complete Kit 91-94	27-820725A1	10-2874-2K		
3 Cyl. Complete Kit 95-99	27-809122A2	10-2874-3K		
3 Cyl. Complete Kit 96-98	27-809469A2	10-2874-4K		
4 Cyl. Complete Kit 72-94	27-809754A1	10-2875K		
4 Cyl. 120 HP Complete Kit 96-99	27-809125A2	10-2875-1K		




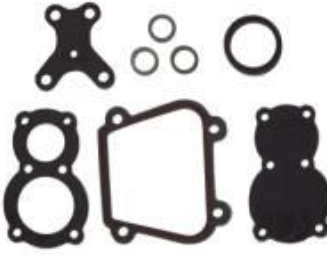
CHRYSLER / FORCE

DESCRIPTION	OEM NO.	OUR PART NO.	DISTRIBUTOR	DEALER
Head Gaskets				
3 Cyl. Head Gasket	27-820438	10-369		
4 Cyl. Head Gasket	27-824615-2	10-476		
Seal Kits				
Oil Seal Kit 70-150 HP 1970-94		10-1101K		
Oil Seal Kit 70 HP+ 1995-99		10-1102K		
Oil Seal Kit 40-50 HP		10-1103K		
Individual Seals				
40-50 HP Upper Crank Seal	26-828626	10-2105		
40-50 HP Lower Crank Seal	26-819394	10-2140		
Upper & Lower Crank Seal 70-150 HP	26-828627	10-2141		

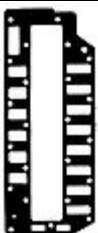
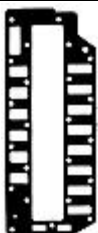
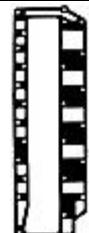
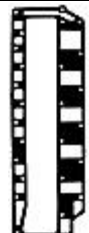








CHRYSLER / FORCE

DESCRIPTION	OEM NO.	OUR PART NO.	DISTRIBUTOR	DEALER
Other Kits				
Base Kit 1991-95 70HP	27-820475A	10-475-1K		
Fuel Pump Kit 3.5-125 HP Kit		10-7806K		

PART No. 10-475-1K OEM No. 27-820475A	PART No. 10-7806K
	
Base Kit 1991-95 70HP	Fuel Pump Kit 3.5-125 HP Kit






DESCRIPTION	OEM NO.	OUR PART NO.	DISTRIBUTOR	DEALER
Individual Force Gaskets				
Sport Jet 3 Cyl. Exhaust Plate 89+	27-819023 1	10-023		
Exhaust Metal Core Gasket All Inboards	27-819035 4	10-023-1		
4 Cyl. Exhaust Plate 89+	27-819024	10-024		
Exhaust Metal Core Gasket	27-819711 2	10-024-1		
"C" Model 91+ Base	27-819049-3	10-049-3		
Exhaust Port Plate	27-F40154-4	10-1235		
Port Cover	27-F40223	10-1236		
Lower Exhaust Cylinder	27-F40279-1	10-1237		
Carb Base S/A 10-1250	27-828925	10-1239		
Cylinder Drain Cover	27-F84472-5	10-1241		

PART No. 10-023 OEM No. 27-819023 1	PART No. 10-023-1 OEM No. 27-819035 4	PART No. 10-024 OEM No. 27-819024	PART No. 10-024-1 OEM No. 27-819711 2	PART No. 10-049-3 OEM No. 27-819049-3
				
Sport Jet 3 Cyl. Exhaust Plate 89+	Exhaust Metal Core Gasket All Inboards	4 Cyl. Exhaust Plate 89+	Exhaust Metal Core Gasket	'C' Model 91+ Base

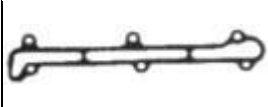




PART No. 10-1235 OEM No. 27-F40154-4	PART No. 10-1236 OEM No. 27-F40223	PART No. 10-1237 OEM No. 27-F40279-1	PART No. 10-1239 OEM No. 27-828925	PART No. 10-1241 OEM No. 27-F84472-5
				
Exhaust Port Plate	Port Cover	Lower Exhaust Cylinder	Carb Base S/A 10-1250	Cylinder Drain Cover





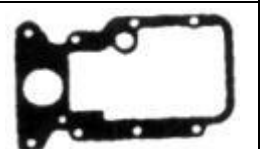
CHRYSLER / FORCE






DESCRIPTION	OEM NO.	OUR PART NO.	DISTRIBUTOR	DEALER
Individual Force Gaskets (continued)				
Cylinder Drain Reed Plate	27-F84748-3	10-1242		
Exhaust Port Plate	27-F85154-1	10-1243		
Intake Manifold	27-F85159-1	10-1244		
Carb Adapter Flange	27-F85168-2	10-1245		
Base 91-94 90 HP & 1999 70 HP	27-819381	10-1246		
Cylinder Drain Cover	27-F85472-2	10-1247		
Cylinder Drain Reed Plate	27-F85748-2	10-1248		
By Pass	27-F85762	10-1249		
Carb Base S/A 10-1239	27-828925	10-1250		
Cylinder Drain Cover	27-F93472-1	10-1251		
Reed Plate	27-F93748-1	10-1252		
Thermostat	27-819377	10-1253		
Carb Adapter	27-828316	10-1254		
Seal Cord	F184122-1	10-1255		
Upper Exhaust	27-F307279-2	10-1256		
Exhaust Plate	27-F372154-1	10-1259		
4 Cyl. Intake	27-F406406	10-1260		
Carb Adapter	27-F433168	10-1261		
Deflector Plate	27-F433406	10-1262		
Carb Base	27-F440906	10-1263		
Thermostat Cover S/A 10-854	27-828319	10-1264		
Thermostat Cover S/A 10-1264	27-F476067	10-854		
Intake	27-F481836	10-1265		
Intake	27-F85836	10-1306		
2 Cyl. Exhaust Plate	27-F691153	10-153		
2 Cyl. Exhaust Plate	27-F691154	10-154		
3 Cyl. Base	27-819381	10-381		
3 Cyl. Base Sport Jet AFM-20	27-823700 2	10-381-4		
Cylinder Drain Cover	27-F686472	10-472		
35-50 HP Base 1990-94	27-F684453-1	10-474		
95-99 90 HP Lower Base	27-826549	10-549		
95-99 90 HP Upper Base	27-826550	10-550		
96+ 40-50 HP Lower Base	27-826738	10-738		
40-50 HP Upper Base Gasket 95-99	27-82687	10-871-2		
Fuel Pump Base	27-F658803	10-8803		
70-75 HP Intake	27-819113	10-9113		
70-75 HP Intake	27-819114	10-9114		
Carb Adapter	27-819733	10-9733		






PART No. 10-1242 OEM No. 27-F84748-3	PART No. 10-1243 OEM No. 27-F85154-1	PART No. 10-1244 OEM No. 27-F85159-1	PART No. 10-1245 OEM No. 27-F85168-2	PART No. 10-1246 OEM No. 27-819381
				
Cylinder Drain Reed Plate	Exhaust Port Plate	Intake Manifold	Carb Adapter Flange	Base 91-94 90 HP & 1999 70 HP



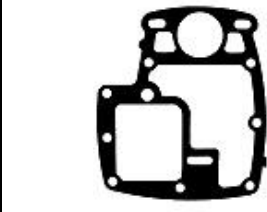
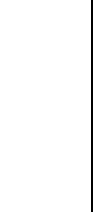

CHRYSLER / FORCE

PART No. 10-1247 OEM No. 27-F85472-2	PART No. 10-1248 OEM No. 27-F85748-2	PART No. 10-1249 OEM No. 27-F85762	PART No. 10-1250 OEM No. 27-828925	PART No. 10-1251 OEM No. 27-F93472-1
				
Cylinder Drain Cover	Cylinder Drain Reed Plate	By Pass	Carb Base S/A 10-1239	Cylinder Drain Cover



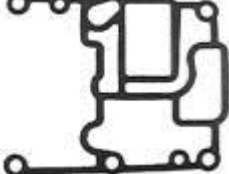


PART No. 10-1252 OEM No. 27-F93748-1	PART No. 10-1253 OEM No. 27-819377	PART No. 10-1254 OEM No. 27-828316	PART No. 10-1255 OEM No. F184122-1	PART No. 10-1256 OEM No. 27-F307279-2
				
Reed Plate	Thermostat	Carb Adapter	Seal Cord	Upper Exhaust




PART No. 10-1259 OEM No. 27-F372154-1	PART No. 10-1260 OEM No. 27-F406406	PART No. 10-1261 OEM No. 27-F433168	PART No. 10-1262 OEM No. 27-F433406	PART No. 10-1263 OEM No. 27-F440906
				
Exhaust Plate	4 Cyl. Intake	Carb Adapter	Deflector Plate	Carb Base

PART No. 10-1264 OEM No. 27-828319	PART No. 10-854 OEM No. 27-F476067	PART No. 10-1265 OEM No. 27-F481836	PART No. 10-1306 OEM No. 27-F85836	PART No. 10-153 OEM No. 27-F691153
				
Thermostat Cover S/A 10-854	Thermostat Cover S/A 10-1264	Intake S/A 10-1306	Intake S/A 10-1265	2 Cyl. Exhaust Plate

PART No. 10-154 OEM No. 27-F691154	PART No. 10-381 OEM No. 27-819381	PART No. 10-381-4 OEM No. 27-823700 2	PART No. 10-472 OEM No. 27-F686472	PART No. 10-474 OEM No. 27-F684453-1
				
2 Cyl. Exhaust Plate	3 Cyl. Base	3 Cyl. Base Sport Jet AFM-20	Cylinder Drain Cover	35-50 HP Base 1990-94

CHRYSLER / FORCE

PART No. 10-549 OEM No. 27-826549	PART No. 10-550 OEM No. 27-826550	PART No. 10-738 OEM No. 27-826738	PART No. 10-871-2 OEM No. 27-82687	PART No. 10-8803 OEM No. 27-F658803
				
95-99 90 HP Lower Base	95-99 90 HP Upper Base	96+ 40-50 HP Lower Base	40-50 HP Upper Base Gasket 95-99	Fuel Pump Base

PART No. 10-9113 OEM No. 27-819113	PART No. 10-9114 OEM No. 27-819114	PART No. 10-9733 OEM No. 27-819733
		
70-75 HP Intake	70-75 HP Intake	Carb Adapter

APPLICATION

Gasket and Seal Kits						
HP	Year	Cyl.	Gasket Kit	Head	Seal Kit	Fuel Pump
70	1970-73, 1979-80	3	10-2874K	10-369	10-1101K	10-7806K
70	1991-95 Single Carb	3	10-2874-1K	10-369	10-1101K	10-7806K
70	1999	3	10-2874-2K	10-369	10-1101K	10-7806K
75	1974-79	3	10-2874K	10-369	10-1101K	10-7806K
75	1980-83	3	10-2874K	10-369	10-1101K	10-7806K
75	1969-98	3	10-2874-4K	10-369	10-1101K	10-7806K
75	1969-98 Single Carb	3	10-2874-1K	10-369	10-1102K	10-7806K
75	1999	3	10-2874-3K	10-369	10-1102K	10-7806K
85	1970-73, 1977-79	3	10-2874K	10-369	10-1102K	10-7806K
85	1980-89	3	10-2874K	10-369	10-1101K	10-7806K
90	1974-77	3	10-2874K	10-369	10-1101K	10-7806K
90	1983, 1989-90	3	10-2874K	10-369	10-1101K	10-7806K
90	1991-94	3	10-2874-2K	10-369	10-1101K	10-7806K
90	1995-99	3	10-2874-3K	10-369	10-1102K	10-7806K
100	1979-81, 1983	4	10-2875K	10-476	10-1101K	10-7806K
105	1972-78	4	10-2875K	10-476	10-1101K	10-7806K
105	1982, 1979-1983	4	10-2875K	10-476	10-1101K	10-7806K
115	1977-83	4	10-2875K	10-476	10-1101K	10-7806K
120	1971-77	4	10-2875K	10-476	10-1101K	10-7806K
120	1989-98	4	10-2875K	10-476	10-1101K	10-7806K
120	1995+	4	10-2875K	10-476	10-1102K	10-7806K
120	1969-99	4	10-2875-1K	10-476	10-1102K	10-7806K
125	1983+	4	10-2875K	10-476	10-1101K	10-7806K
135	1974-77	4	10-2875K	10-476	10-1101K	10-7806K
140	1978-83	4	10-2875K	10-476	10-1101K	10-7806K
150	1989-94	5	-	-	10-1101K	10-7806K