

INTRODUCTION TO SAILING 2019



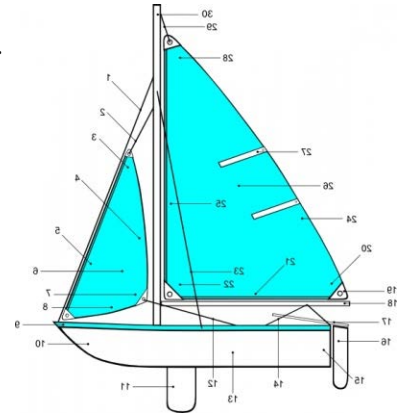
Experience sailing on Lake Erie with one of our veteran instructors. See what it is like to experience boating without the roar of an outboard motor. Learn how sailboats harness the wind and discover what it is like to glide silently across the water. Whether you want to know what it takes to own your own sailboat, want to learn about cruising, want to dip your toe into the competitive world of sailboat racing, or just want to see how relaxing it can be to spend time on the water, let our group of instructors from the Jolly Roger Sailing Club introduce you to sailing.

The eight hour introduction to sailing course includes:

--- One hour of classroom orientation (Monday, June 10 at 7:00 pm at our JRSC location at 5961 Edgewater Drive in Point Place), going over safety procedures, what to wear, and matching you with the right instructor who fits your schedule. We have boats available from 18 feet to 30+ feet in length, and will match you with the right sailboat based on your comfort level and goals for the class. (While our smaller boats dock at our Point Place location, our larger boats sail out of Curtice, Ohio and La Salle, Michigan.)

--- Six hours of on-the-water, hands on, instruction where you'll learn...

- The parts of a sailboat and sailing terminology
- Procedures for leaving the dock
- Motoring under auxiliary power
- Rules of the "road" and line of sight navigation
- General boating safety
- Types of sails and sail trim
- How to sail upwind, downwind, and on a reach
- Changing course under sail (tacking and jibing)
- And procedures for safely returning to the dock



Your six hours of instruction can be taken in one long 6-hour session, two 3-hour sessions, or three shorter 2-hour sessions. We are flexible and can match you with the instructor that fits your schedule. Evening and weekend sessions are available.

--- We finish the course with a one hour graduation reception on Monday, September 16 at 7:00 pm. We will review the lessons you've learned and explain how easy (and relatively inexpensive) it is to own a sailboat. You will leave knowing what your next steps are along the road to becoming a sailor.

Space is limited. Reservations and pre-payment are required.

Cost: \$85.00 per adult (additional family members over 12 years of age can take the course with you for \$65.00 per person).

Reserve your spot by contacting Phil Fry at (734) 224-0397 or by email at philfry@juno.com

**Jolly Roger Sailing Club
5961 Edgewater Dr.
Toledo, OH 43611**

All boats are private vessels owned individually by our members. This is an introduction to sailing and not an accredited course. Signed liability waivers and valid identification are required for all participants.