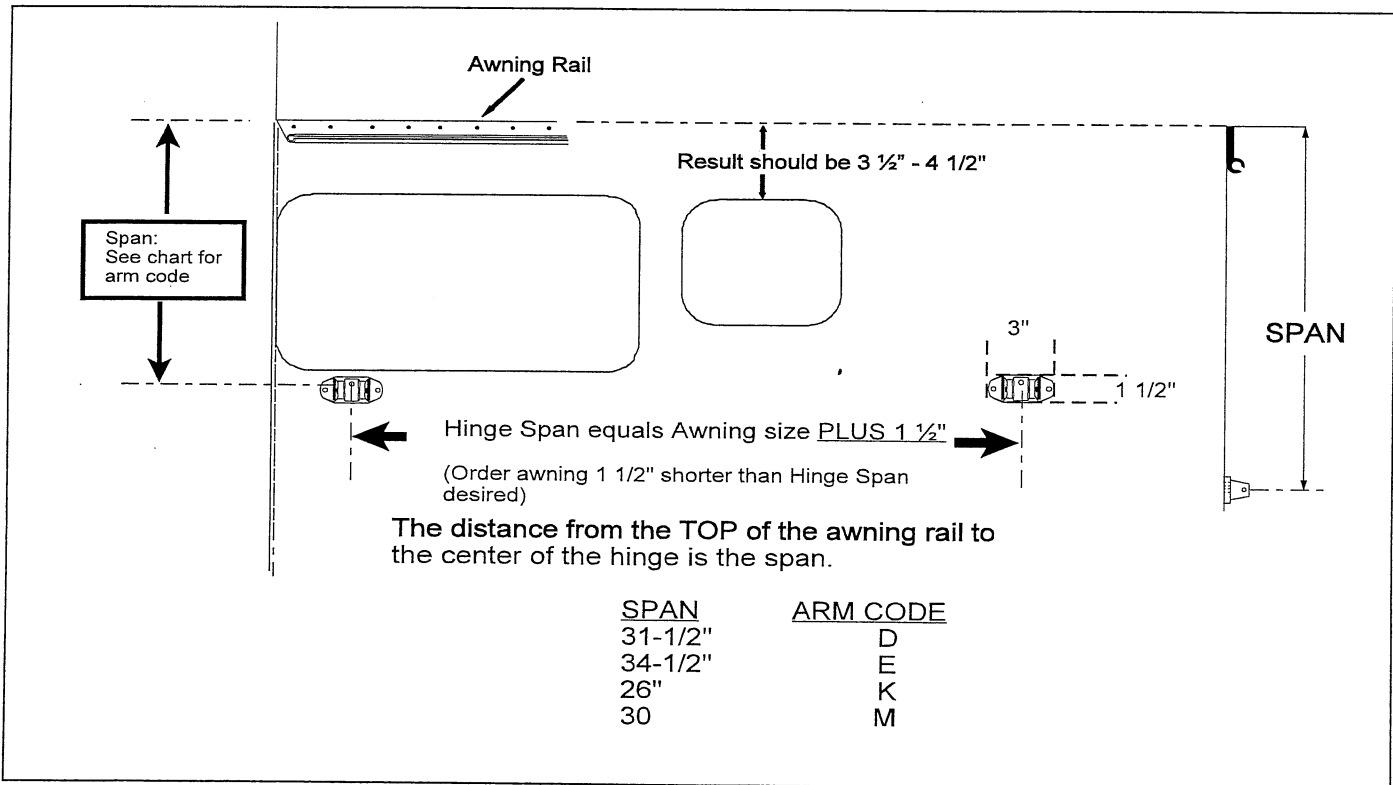
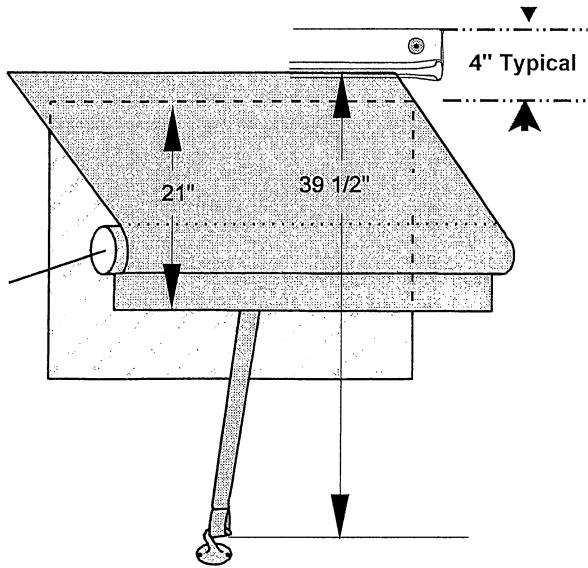


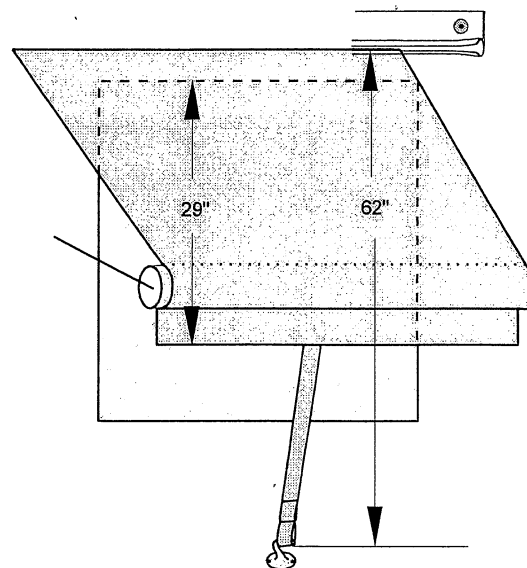
Please refer to the Window Awning Hardware chart for arm length and description. See reverse side for slope codes.

Window awnings under 16 feet in length can be mounted to the skin. Window awnings OVER 16 feet MUST be mounted into the ribs or other structural members in the coach side wall.

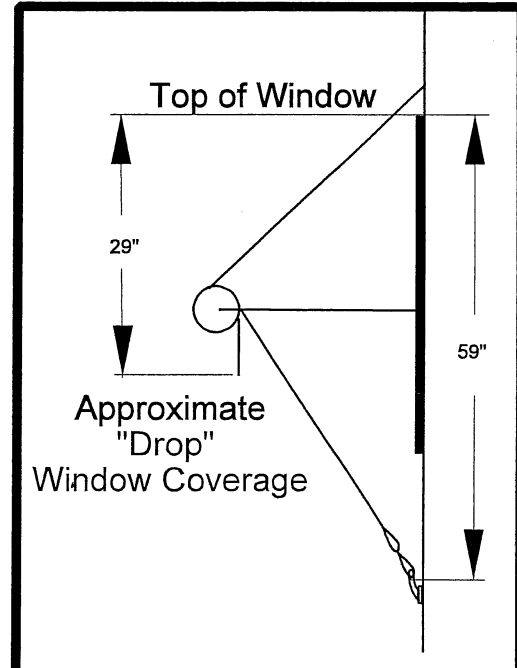
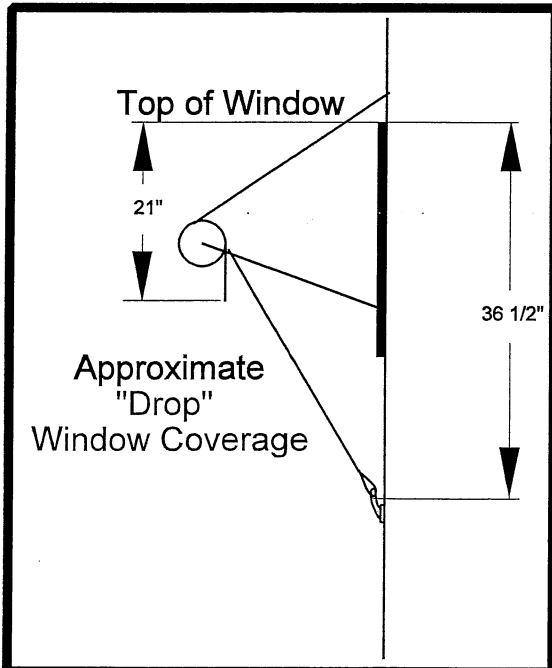




Standard "3" Slope  
(using "C" arms)



Extended "8" Slope  
(using "C" arms)



The standard slope awning (left) has a "**Drop\***" (from the top of the window) of 21". The Extended slope awning (right) has a "**Drop**" of 29" for maximum window coverage. This option is recommended taller (usually over 35" tall) windows.

\***NOTE:** "Drop" shown is the maximum possible and assumes Rail is typically installed 4" above window. Raising rail will reduce drop.