

NEW SELECT METAL



TRAVERSE ROD BRACKETS

The Select Metal Collection of Drapery Hardware introduces 3 new decorative bracket options for Select Metal Traverse Rods.

1 3/16" Combination Pole / Traverse Rod Bracket

1 3/16" Select Metal Combination Brackets offer the flexibility to install a 1 3/16" Select Metal Pole with rings in front of a traverse rod.



1 3/16" COMBINATION POLE / TRAVERSE ROD BRACKET (130-2097)
Available in all finishes



THERE ARE 2 OPTIONS FOR THE BACK TRAVERSE ROD:

- Back Rod with 1 3/16" Metal Half Round Fascia.
- Back Rod as "Track Only".

COMBINATION BRACKETS must be specified when ordering the back traverse rod and are available with a surcharge.

Select Metal Decorative Double Brackets

Decorative Double Brackets are available in 2 styles, a Round Base and a Square Base.

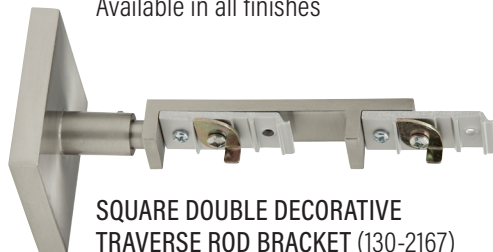
SELECT METAL TRAVERSE RODS are available with 1 3/16" Half Round Fascia and 1 3/8" Flat Metal Fascia.



ROUND DOUBLE DECORATIVE TRAVERSE ROD BRACKET (130-2067)
Available in all finishes



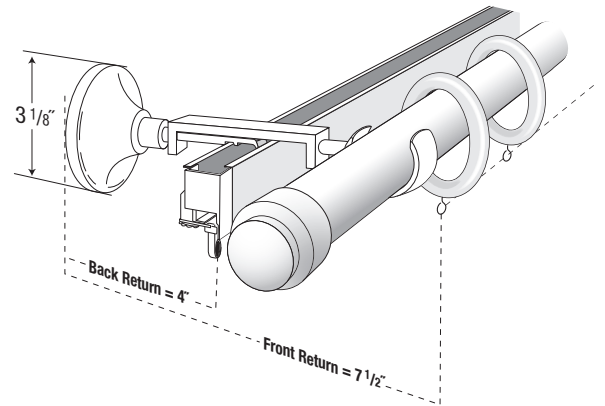
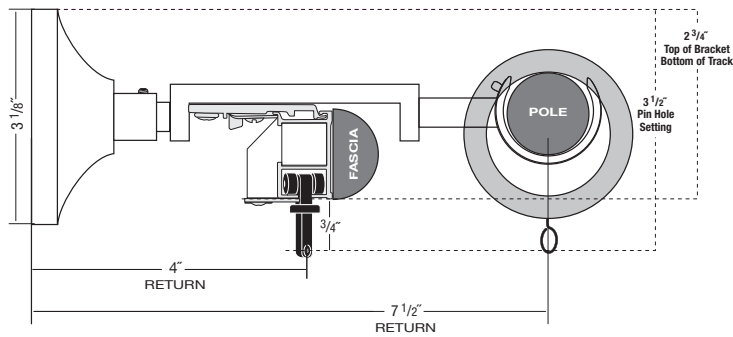
DOUBLE TRAVERSE ROD SETS are available with the back rod as "track only" or with fascia attached.



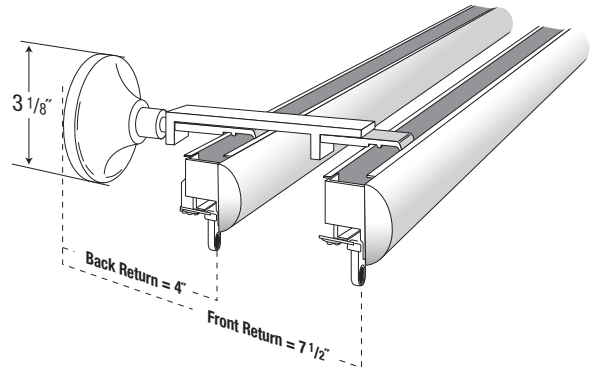
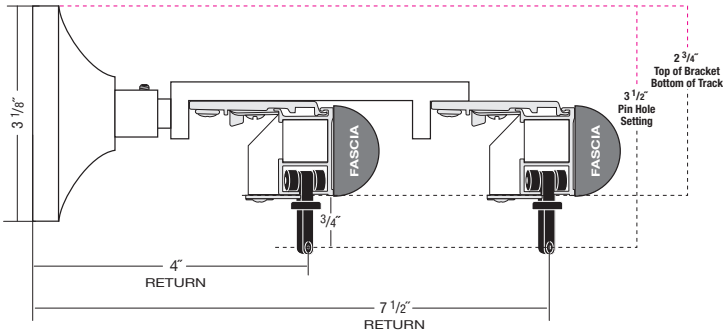
SQUARE DOUBLE DECORATIVE TRAVERSE ROD BRACKET (130-2167)
Available in all finishes



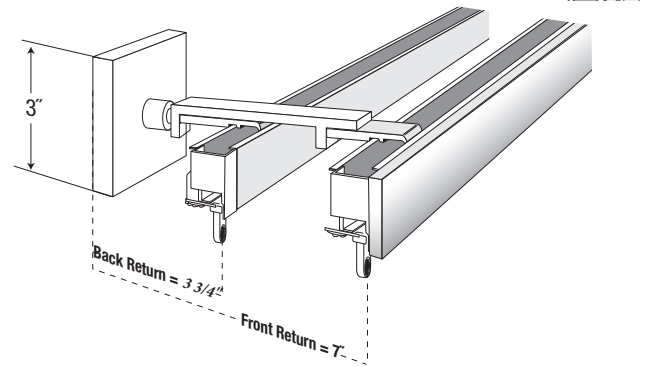
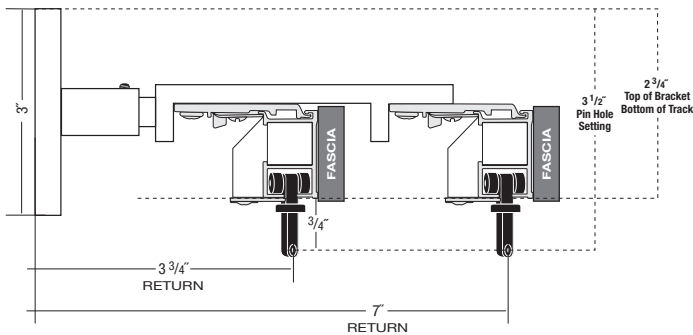
COMBINATION POLE / TRAVERSE ROD BRACKET (130-2097)



ROUND DOUBLE DECORATIVE TRAVERSE ROD BRACKET (130-2067)



SQUARE DOUBLE DECORATIVE TRAVERSE ROD BRACKET (130-2167)



New Decorative Bracket Price List

ITEM #	FINISHES	DESCRIPTION	PRICE EACH
130-2097	All Finishes	1 3/16" Combination Pole / Traverse Rod Bracket Pole Return: 7 1/2" - Back Rod Return: 4"	35.50 ea.
130-2067	All Finishes	Round Double Decorative Traverse Rod Bracket Front Rod Return: 7 1/2" - Back Rod Return: 4"	39.70 ea.
130-2167	All Finishes	Square Double Decorative Traverse Rod Bracket Front Rod Return: 7" - Back Rod Return: 3 3/4"	43.50 ea.

Mounting Clips (93630) are included



2020SMSS-D