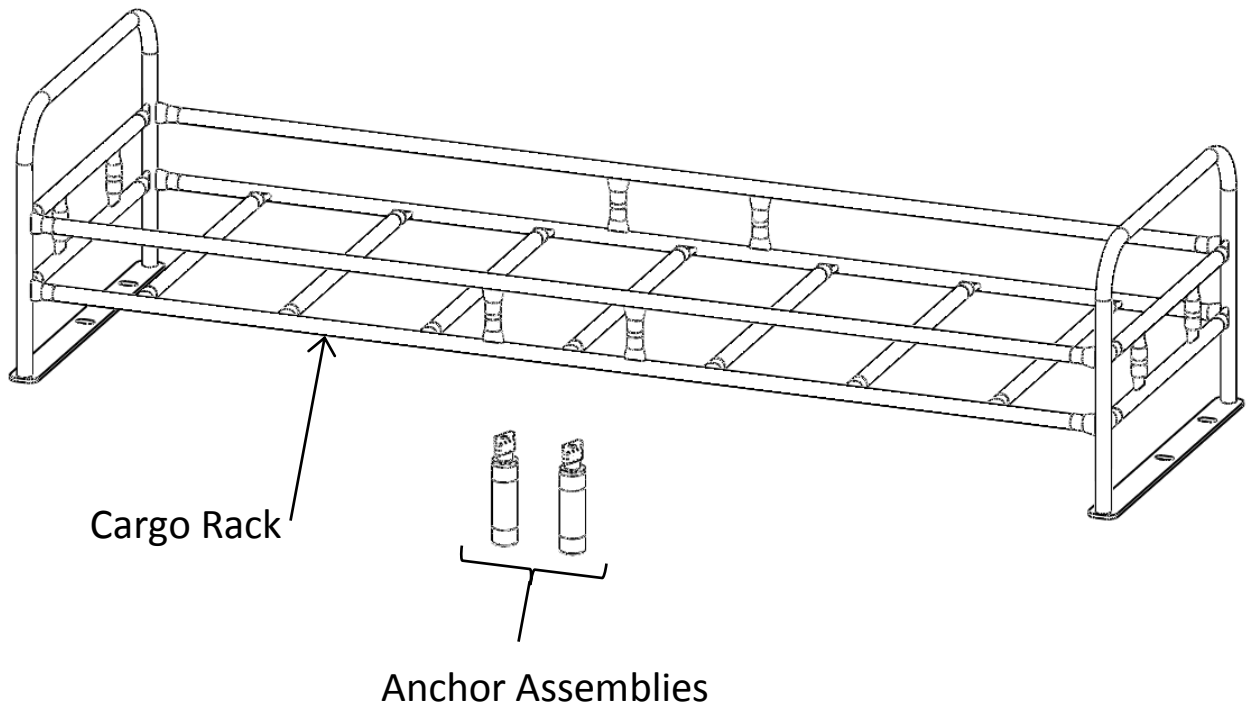


Ranger Cargo Rack Installation Kit

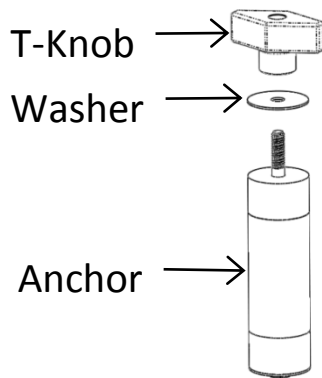


The Ranger R 500 Cargo rack fits Ranger Mid-Size Models 400, 500, 570, EV & 800. The R-800 Kit fits Ranger Full-Size Models XP700, 800 & 900. The Kit comes with a Cargo Rack and 2x Anchor Assemblies.



Installation:

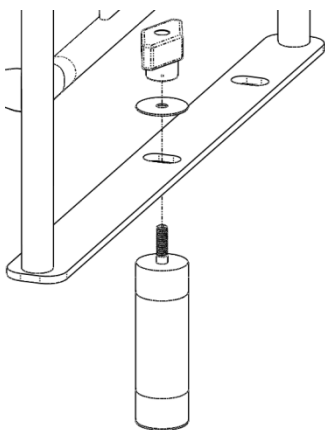
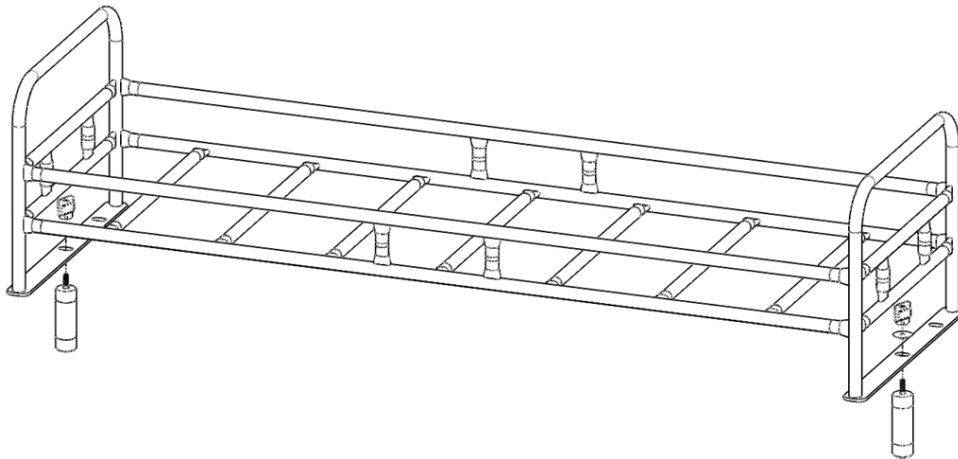
Step 1:



Remove the T-Knob and Washer from each of the Anchor Assemblies.

Step 2:

Insert an Anchor Assembly into the center slot on each side of the Cargo Rack.



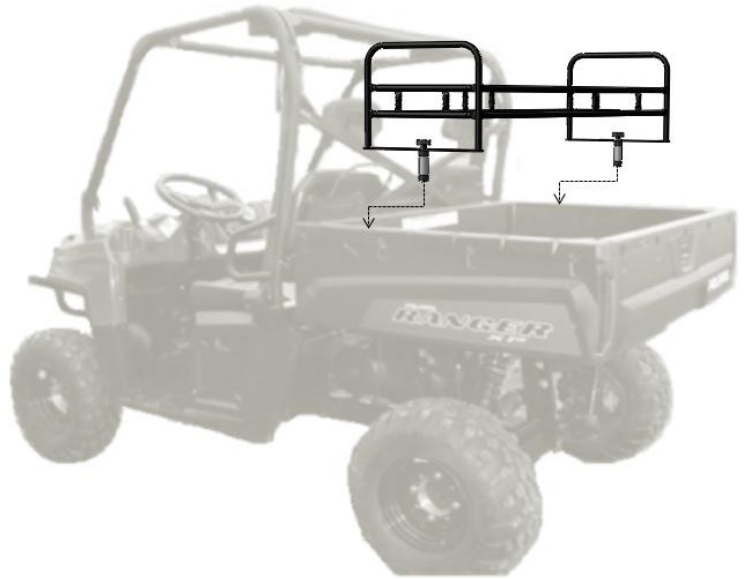
The threads of the Anchor Assembly will fit up into the slots. Replace the Washer and T-Knob. Screw the T-Knob and Washer down until it is finger tight but can still slide freely in the slot.

Do NOT tighten beyond finger tight at this point.

Step 3:

Lift the Cargo Rack into place, locating both of the Anchor Assemblies into a Mounting Hole located on the Ranger Bed sides.

If an Anchor will not enter a mounting hole, make sure that none of the T-Knobs are threaded too tight.



Step 4:



Tighten the T-Knobs of each Anchor Assembly. Once they both have been tightened, the Ranger Cargo Rack has been successfully installed.